



MISSION STATEMENT

Las Positas College is an inclusive learning-centered institution providing educational opportunities and support for completion of students’ transfer, degree, basic skills, career-technical, and retraining goals.

VISION STATEMENT

Las Positas College strives to be California’s premier Community College, setting the standard through opportunities for developing knowledge, skills, values, and abilities that foster engaged and contributing members of the society.

VALUES STATEMENT

Las Positas College thrives as a collaborative teaching and learning community committed to integrity and excellence by:

1. Encouraging and celebrating lifelong learning
2. Responding to the needs of the ever-changing workplace
3. Demonstrating civic, social and environmental responsibility
4. Promoting ethical behavior, tolerance and mutual respect in a diverse community
5. Fostering a climate of discovery, creativity and personal development
6. Holding firm to the belief that each of us makes an astonishing difference.

ACCREDITATION

Las Positas College is accredited by the Accrediting Commission for Community and Junior Colleges of the Western Association of Schools and Colleges.

TABLE OF CONTENTS

Mission, Vision and Values1

Forwarding Your Zonemail.....1

Spring 2020 Semester Calendar2

Registration Dates.....3

Steps to Success.....4

Admission Information5-6

Course Registration Procedures7

Stay Connected (ZoneMail)8

Enrollment Policies and Procedures ...9-10

Orientation, Assessment and Educational Plan.....11

Degree, Certificate and Transfer Programs12-13

Spring 2020 Courses 15-91

 How to Read the Course Listings 17

 Spring Course Listings 18-89

 Math Pathways90-91

Online Learning 92-96

 Online Courses93-94

 Hybrid Courses95-96

Alternate Schedule Courses..... 97-99

 Fast Track Courses 97

 Late Start Courses 98

Weekend Courses..... 99

Varying Start Dates 99

Noncredit Courses 100-101

Fees and Payment Policy 102-103

Financial Aid 104

Academic and Student Support Services..... 105-107

College Policies and Procedures.. 108-110

Campus Safety and Security ... 111-113

Parking Permits114

Emergency Alert System.....114

Bookstore Information.....115

Transit (Bus) Pass Information115

Campus Directory116

Off-Campus Instructional Sites.....116

Campus Map.....117

Final Exam Schedule.....118-119

FastPass Registration Event 120

COMMUNICATION IS KEY!

All registration notices, Financial Aid and general College information, will be emailed to your Zonemail Account. Check it regularly! We want to make sure you have all the information you need to be successful in your time at Las Positas College. Please keep in touch and review all emails and communication from us when you receive it!

Forward Your ZoneMail to Your Personal Email:

1. Login to your ZONEmail account at <https://myportal.clpccd.cc.ca.us>
2. Click the email option
3. In the upper right hand corner, click the Setting icon and select “Mail Settings”
4. Click the “Forwarding and POP/IMAP” tab
5. Click “Add a Forwarding Address” and type your personal email
6. Access your personal email account to retrieve the verification code, then enter it into the box and click “Verify”
7. Select the option to “Forward a copy of incoming mail” to your personal email.
8. Save changes

Courses, dates, and times are subject to change without notice. Refer to the college website for the most current course information.

ACADEMIC CALENDAR

REGISTRATION DATES FOR SPRING 2020

November 12.....	STATE MANDATED - EOPS/CARE, DSPS, Foster Youth, CalWORKs, and Veterans with <u>3 Core Services completed</u> begins
November 14.....	COLLEGE PRIORITY - Student Athletes and Student Government Officers with <u>3 Core Services completed</u> begins
November 15.....	Continuing students with <u>3 Core Services completed</u> begins
November 19.....	New students with <u>3 Core Services completed</u> begins
November 19.....	Returning students with <u>3 Core Services completed</u> begins
November 20.....	Continuing students who have not completed the <u>3 Core Services</u> begins
November 25.....	Students on probation, dismissed status, or those who have completed 100 or more degree applicable units at LPC or Chabot College
November 25.....	OPEN REGISTRATION for Spring Semester
December 4.....	Special Admit/Concurrent high school students for Spring Semester

For more detailed information on priority groups and registration, see page 3.

SPRING 2020 SEMESTER CALENDAR (DATES APPLY TO FULL-TERM CLASSES)

January 13, 2020.....	Spring 2020 instruction begins (full-term classes only)
January 13.....	Associate Degree and/or Certificate of Achievement filing period begins through April 1
January 13 - February 2.....	Late enrollment for full-term classes – on a space available basis. Register online through CLASS-Web or in-person with add authorization number
January 18.....	Instruction begins for Saturday classes
January 20.....	HOLIDAY - Martin Luther King, Jr. (no instruction)
January 31.....	Last day to ADD/DROP with No Grade-of-Record (NGR) - In-Person (full-term classes only)
February 2.....	Last day to ADD/DROP with No Grade-of-Records (NGR) - Online via CLASS-Web (full-term classes only)
February 3.....	CENSUS date (full-term classes only)
February 13.....	Last day to request Pass/No Pass (full-term classes only)
February 14 - 17.....	Holiday – Presidents' Weekend (no instruction) College closed
March 2.....	Priority California Financial Aid Deadline
March 21.....	Saturday Classes Meet
March 23 - 28.....	SPRING BREAK (no instruction)(no Saturday classes)
April 1.....	Deadline to apply for an Associate Degree, Certificate of Achievement, and/or Career Certificate
April 10.....	Last day to WITHDRAW with a "W" - In-Person (full-term classes only)
April 12.....	Last day to WITHDRAW with a "W" - Online via CLASS-Web (full-term classes only)
May 9.....	Last day of Saturday classes
May 15.....	Last day of Instruction
May 16.....	Final Exams for Saturday classes
May 18 - 22.....	Final Examination Period
May 22.....	Commencement/Graduation*
May 25.....	HOLIDAY - Memorial Day
May 26.....	Instructors – Spring grades due by 11pm via CLASS-Web

**Additional information regarding commencement is sent throughout the semester by the Office of the Vice President of Student Services.*

SPRING 2020 DROP FOR NON-PAYMENT DEADLINE

Students who register for Spring classes between Nov 12 - Dec 3, 2019**Must Pay Fees by** Dec 10

IMPORTANT: Your classes will be dropped if payment is not received by this date.

REGISTRATION DATES - SPRING 2020

Your registration priority group and registration date are determined by the completion of the Three Core Services (Orientation, Assessment, and Student Educational Plan), the number of units completed and in-progress at Chabot-Las Positas Community College District, and maintaining good academic standing.

The registration date shown below is the first day that a student is eligible to register for classes based on their priority group. Students may continue to register for classes any day after their priority registration date.

STUDENT STATUS	CRITERIA FOR GROUP	REG DATE
CalWORKs DSPS EOPS/CARE Foster Youth Veterans	STATE MANDATED PRIORITY GROUPS <ul style="list-style-type: none"> • Must complete all 3 Core Services • Must be in good academic and progress standing • Must have less than 100 degree applicable units 	Nov 12
Student Athletes Student Government Officers	COLLEGE PRIORITY GROUPS The only students in this priority group are noted in the left column. <ul style="list-style-type: none"> • Must complete all 3 Core Services • Must be in good academic and progress standing • Must have less than 100 degree applicable units 	Nov 14
Continuing Students who COMPLETED all 3 Core Services	CONTINUING STUDENT REGISTRATION SCHEDULE Priority registration date is based on the following: <ul style="list-style-type: none"> • Completion of all 3 Core Services • Good academic and progress standing • Must have less than 100 degree applicable units • And total units completed (including in-progress units) <ul style="list-style-type: none"> • 60 - 99.9 units will register on Nov 15, 2019 • 45 - 59.9 units will register on Nov 15, 2019 • 30 - 44.9 units will register on Nov 18, 2019 • 15 - 29.9 units will register on Nov 18, 2019 • 0.5 - 14.9 units will register on Nov 19, 2019 	Nov 15-19
New Students	NEW STUDENTS eligible for this registration date are: <ul style="list-style-type: none"> • Students who have completed all 3 Core Services • Students enrolled in less than 0.5 units 	Nov 19
Returning Students	RETURNING STUDENTS are eligible for this registration date if they: <ul style="list-style-type: none"> • Completed all 3 Core Services • Are in good academic and progress standing • Have less than 100 degree applicable units 	Nov 19
Continuing Students who HAVE NOT completed all 3 Core Services	CONTINUING STUDENTS are eligible for this registration date if they: <ul style="list-style-type: none"> • Have not completed all 3 Core Services • Are in good academic and progress standing • Have less than 100 degree applicable units <ul style="list-style-type: none"> • CalWORKs, DSPS, EOPS/CARE, & Veterans will register on Nov 20, 2019 • Student Athletes and Student Government Officers will register on Nov 20, 2019 • 15 -99.9 units will register on Nov 21, 2019 • 0.5-14.9 units will register on Nov 22, 2019 	Nov 20-22
Students on Probation/Dismissal Excessive Units	<ul style="list-style-type: none"> • Students who have been on Academic and/or Progress Probation for two consecutive semesters and/or have been placed on Academic and/or Progress Dismissal • Students with over 100 degree-applicable units 	Nov 25
OPEN REGISTRATION All Students (except High School Concurrent Enrollment Students)	Open Registration begins for students: <ul style="list-style-type: none"> • Who have not completed all 3 Core Services • Admitted to the College after all groups have registered 	Nov 25
Concurrent Enrollment	Concurrent Enrollment Registration Begins High School students (10 th , 11 th , & 12 th grade) applying for Spring 2020	Dec 4

YOUR SIX STEPS TO SUCCESS



STEP 01

Apply For Admission.



STEP 02

Apply For Financial Assistance.



STEP 03

Complete An Online Orientation.



STEP 04

Complete Assessment.



STEP 05

Complete Your Student Education Plan.



STEP 06

Register For Classes.
Pay Fees!

ADMISSION INFORMATION

WHO MAY ATTEND LAS POSITAS COLLEGE

Admission is open to anyone who is:

- 18 years of age or older; or
- A high school graduate or completed a high school equivalency test, General Education Degree (GED) or California High School Proficiency Exam;
- A high school student currently enrolled in 10th, 11th or 12th grade may participate in the Concurrent Enrollment Program.

HOW TO APPLY FOR ADMISSION

Apply online at www.laspositascollege.edu

You will be asked to create an account on OpenCCCApply before being directed to the application. After the application has been received, you will be sent an email confirmation with additional information. You will also receive a student identification number (which begins with a "W"). Use this number to conduct all college business and access college services. You may also log into CLASS-Web to obtain your "W" student identification number.

COMMUNICATION VIA ZONEMAIL ACCOUNT

All admitted students are given a student email account through The ZONE web portal. All messages from the College are sent to this account. Registration dates will be emailed to your ZONEmail account. As you complete your SSSP (Student Success and Support Program) 3 core services, you may be eligible for an earlier registration date than previously assigned. Please check your ZONEmail regularly for important notices from the College.

- Go to www.laspositascollege.edu
- Click on "The ZONE"
- User ID: use your W number
PIN: Same six-digit pin used for CLASS-Web
- Log in and click "What is my college/district email address?" link under "Quick Check"
- Click the Email icon and log in with the email as your username, and password (same six-digit pin used for The ZONE and CLASS-Web)

Instructions on how to forward your ZONEmail to your personal email are located on page 1. In addition to registration date notifications, students will also receive waitlist information, instructor emails, Financial Aid notifications, and general College information.

ENROLLMENT STATUS BASED ON UNIT LOAD	
Full-time student	Registered for 12 or more units
Three-quarter student	Registered for 9.0 to 11.5 units
Half-time student	Registered for 6.0 to 8.5 units
Less than half-time student	Registered for 0.5 to 5.5 units
Noncredit only student	Registered for 0.0 units

STUDENT DEFINITIONS

NEW STUDENT	You are a new student if you have never registered in classes at LPC. Apply online.
RETURNING (FORMER) STUDENT	You are a returning student if you have <u>not</u> attended LPC during the past two semesters. Reapply online.
CONTINUING STUDENT	You are a continuing student if you have attended LPC during at least one of the two most recent semesters. Do not reapply.
CONCURRENT ENROLLMENT STUDENT	You are currently a high school student enrolled in grade 10, 11, or 12. An admission application and supplemental paperwork is required for each semester/term of attendance.

RESIDENCY

For purposes of determining enrollment fees, students are identified as either residents or nonresidents.

Residents:

Those who have lived in California as legal residents for at least one year and one day prior to the first day of a new semester/term and who can demonstrate intent to remain a California resident. Noncitizens who meet residency requirements and who desire to enroll as a California resident must provide documentation.

Nonresidents:

Those who do not meet the California resident requirements. In addition to the enrollment fee, nonresident students are required to pay nonresident tuition. For further information concerning residence status, please contact the Admissions and Records Office.

NONRESIDENT TUITION EXEMPTION (VACA)

Military veterans may be eligible for a tuition exemption based on VACA (Veterans Access, Choice and Accountability Act) criteria. Veterans who qualify for Chapter 30 or Chapter 33 GI Bill, who live in California and enroll within 3 years of discharge from active duty service of 90 days or more may be eligible for exemption of payment of nonresident tuition. For additional information, please contact the Veterans First Program.

NONRESIDENT TUITION EXEMPTION (AB540)

A California Nonresident Tuition Exemption may be granted to certain nonresident students who meet the exemption requirements set forth in Assembly Bill 540. To be eligible, students must have attended high school in California for three or more years, or attainment of credits earned in California from a California high school equivalent to three or more years of full-time high school coursework and a total of three or more years of attendance in California elementary schools, California secondary schools, adult schools, or a combination of those schools. In addition, students must have graduated or will graduate from a California high school or obtained a certificate or General Education Development (GED), High School Equivalency Test (HiSET), or Test Assessing Secondary Completion (TASC), or attainment of an AA degree from a California Community College, or fulfillment of the minimum requirements to transfer to a UC or CSU. Students must also

ADMISSION INFORMATION

complete an affidavit to legalize immigration status as soon as possible, if applicable. For additional information contact the Admissions and Records Office.

NONRESIDENT TUITION EXEMPTION (REFUGEES AND SPECIAL IMMIGRANT VISA HOLDERS)

In 2017, the California Legislature enacted Assembly Bill 343, which established a new exemption from nonresident tuition for refugees with special immigrant visas (SIVs). For additional information, contact the Admissions and Records Office.

NONRESIDENT TUITION EXEMPTION (CH 31 – VOCATIONAL REHABILITATION AND EMPLOYMENT)

Out-of-state student Veterans under chapter 31, Vocational Rehabilitation and Employment (VR&E), will be charged the resident rate, effective after Spring 2019 semester.

NONRESIDENT TUITION EXEMPTION (CONCURRENT ENROLLMENT)

Concurrently enrolled students (high school students enrolled in college classes) who are classified as nonresident students for tuition purposes may be eligible for the Senate Bill 2364 waiver of nonresident tuition while still in high school.

Students must be special admit part-time (enrolled in 11 units or less) students who currently reside in California and are attending high school in California. Students wishing to take advantage of this exemption should complete a nonresident exemption form and attach a copy of high school transcripts showing current enrollment. Documentation should be submitted to the Admissions and Records Office.

INTERNATIONAL STUDENTS

Las Positas College is authorized under federal law to enroll nonimmigrant alien students (F-1 and M-1 visa). Students seeking admission to Las Positas College must complete an international student supplemental application packet and submit academic transcripts or certificates, TOEFL or IELTS exam results and evidence of financial support and health examinations. Information on specific language proficiency requirements and amount of adequate financial support may be found on the college website. Las Positas College will make every effort to advise prospective international students of their admission status as soon as possible after receiving the required documents. International students are encouraged to apply as far in advance of the desired entry date as possible to allow sufficient time for application processing and other arrangements. Contact the International Student Program for more information.

MIDDLE COLLEGE

Middle College is an alternative education collaboration between Las Positas College and the Tri-Valley Regional Occupational Program. Middle College provides high school students from Dublin, Livermore, and Pleasanton an opportunity to begin taking college courses while still enrolled in high school. Students take classes at Las Positas College (up to 11 units per semester) and their enrollment fees are waived. Middle College

is an excellent opportunity for high school students to complete curriculum required for high school graduation, get started on their college education, and begin to prepare for the workforce. Additional information is found on the college website. An application process for Middle College is open to students in the three Tri-Valley ROP districts: Dublin Unified School District, Livermore Valley Joint Unified School District, and Pleasanton Unified School District. The application process opens mid-February for the following school year.

CONCURRENT ENROLLMENT PROGRAM

Las Positas College provides opportunities for students in 10th, 11th, and 12th grades to enroll in college-level, degree-applicable courses.

ELIGIBILITY

1. Must be recommended by their high school principal.
2. Must have written parental permission.

NOTE: Concurrent Enrollment students are not allowed to enroll in Kinesiology (P.E.) and basic skills courses (ENG 104 level, all ESL courses, MATH 107 level) (Ed. Code 48800).

CONCURRENT ENROLLMENT ADMISSION CHECKLIST

1. Complete an Admission Application at www.laspositascollege.edu
2. Attach a current high school transcript. If applicable include Advanced Placement (AP) scores, and/or an R4 Affidavit for home schooled students.
3. Fill out the Concurrent Enrollment Recommendation Form.
4. Bring the completed packet to the Admissions and Records Office by the established deadline.

To take advantage of the **SPRING 2020**
Concurrent Enrollment registration date
on **Dec 4**, students must have all required
documents submitted by **Nov 1***.

**Applications submitted after Nov 1st will be assigned a registration date when your packet is processed.
When you receive the confirmation email from A&R, check CLASS-Web for your registration date.*

NOTE: Concurrently enrolled students will be permitted to enroll in a maximum of 11 units per semester (Fall and Spring), and a maximum of 6 units for Summer. Students will be treated as regular college students and are expected to comply with all college rules and regulations.

Documentation received after the established deadline is not guaranteed to be accepted for enrollment. Once your packet is processed, an email will be sent with registration information. All students are strongly advised to complete assessments.

FEES

Enrollment fees are waived for students in the Concurrent Enrollment Program. However, the Student Rep Fee (\$1.00), the Health Services Fee (\$20 for Fall and Spring, \$17 for Summer), and the Transportation fee (\$8 or \$9 for Fall and Spring) are mandatory. International, nonresident, and out-of-state students will be assessed tuition of \$282 per unit. Materials fees apply to some classes.

COURSE REGISTRATION PROCEDURES

ADDING CLASSES

1. Go to www.laspositascollege.edu
2. Login to CLASS-Web
3. Select the Student Services tab
4. Click the Registration link
5. Click the Add/Drop or Withdraw from Classes link
6. Select the term and click the Submit button
7. Enter the course registration number (CRN)
8. Click the Submit Changes button

WAITLIST

Students may reserve a space on the waitlist for courses that are closed due to reaching their maximum enrollment limit. During registration, students will be automatically prompted to sign up for the waitlist if the class is closed.

Students cannot add themselves to the waitlist if one of the following conditions exist:

- a. Course prerequisites/corequisites not met;
- b. Registration holds;
- c. Waitlist class overlaps in time with classes already registered for;
- d. Already on a waitlist for the same class. (However, students may add themselves to waitlists for different classes); or
- e. Adding to the waitlist exceeds the maximum unit load of 18 units.

WAITLIST NOTIFICATIONS

All notifications for waitlist will be emailed to the student's Zonemail account. If a seat becomes available for a course, the student at the top of the waitlist receives a notification email to register for that class within 72 hours. If the student does not take action before the stated expiration date and time, the student loses their spot to the next student on the waitlist and is removed from the waitlist.

ADD AUTHORIZATION NUMBERS

The Add Authorization Number reserves your seat in the class and it is only valid for a short period of time, so DON'T DELAY your registration. If you miss the course add deadline, you will need to contact your instructor and ask to be added. Your instructor will then submit a late add request online directly to the Admissions and Records office.

Students who are on the waitlist and wish to add should attend the first day of class. Instructors will issue add authorization numbers to students in the order that they appear on the waitlist. After waitlist students have been accommodated, the instructor may add any remaining students by priority number.

Students who have received an add authorization number from the instructor may then enter the 4 digit add code via CLASS-Web or The Zone. The student must add the class by the add deadline (see Academic Calendar).

HOW COURSE "ADD" PRIORITY IS DETERMINED

Only the last four digits of the priority number are considered by an instructor at the beginning of each course when determining "add" priority for additional students. The "add" priority number for new students will be zero for their initial semester of enrollment. Students may attempt to add into open classes during the add period at the beginning of a term or semester. Students are generally added from highest to lowest priority number.

Instructors will issue add authorization numbers to students in the order that they appear on the waitlist. After waitlist students have been accommodated, the instructor may add any remaining students by priority number.

LATE REGISTRATION

(First two weeks of semester)

If you were unable to submit your application and register for classes before the semester begins, you will need to complete the following:

1. **Submit an application online;**
2. **Attend class (Do not wait for your application to be processed);**
 - Obtain an ADD AUTHORIZATION NUMBER from the instructor. Be sure to have your priority number available. Reminder: If there is space available, instructors will add according to waitlist priority before issuing adds to non-waitlisted students.
3. **Register**
 - Enter the 4 digit number on CLASS-Web when prompted to do so in the registration menu.

Refer to the "Late Start" section for available courses. ADD/DROP dates for these courses may vary from full term courses.

STUDENT ID CARD

All students are required to carry a valid photo identification card with current validation sticker. This card is essential for use of library, computer lab, bookstore, Wheels (bus transportation) and other campus services. Cards may be obtained at the Online Service Center, Building 1600.

COMMON REGISTRATION ERROR MESSAGES

EXCESS UNITS	Students are eligible to take up to 18 units. If a student wishes to take more than 18 units he/she must consult with a Counselor.
CLASS OVERLAP	Students are only permitted to enroll in classes that overlap when extenuating circumstances exist, and the time overlap between classes is only 15 minutes or less. A class overlap approval form is required and must be signed by both the instructor and the division dean.
REPEAT LIMIT EXCEEDED	The student must consult with the Counseling Department.
PREREQUISITE NOT MET	The student must consult with the Counseling Department.

ZONEMAIL INFORMATION



Here are three ways **ZoneMail** keeps you connected

1

Check your **ZoneMail** often, especially during registration periods and the beginning of each semester. You can also forward your **ZoneMail** to your personal email.

2

All the important information you need about your experience at LPC will be sent to your student email:

- Registration
- Financial aid
- Student deadlines
- Emergency alerts
- Waitlist

3

You may check your student email on campus. Simply sign up for **ZoneMail** OR forward to your personal email:
<http://laspositascollege.edu/ZoneInfo/index.php>

STAY INFORMED, FOLLOW US:
WWW.LASPOSITASCOLLEGE.EDU

 LAS POSITAS COLLEGE
 @LPCOFFICIAL

 LASPOSITASCOLLEGE
 LAS POSITAS COLLEGE

NEED HELP? ASK THE HELPZONE! Call (925) 424-1710 or send email to helpzone@clpccd.org

ENROLLMENT POLICIES & PROCEDURES

OPEN COURSE POLICY

In accordance with District Policy, all classes are open to enrollment and participation by any person who meets the academic prerequisites of the class and who is otherwise eligible for admission to Las Positas College.

CLOSED AND CANCELLED CLASSES

Any class may be closed to further registration when it reaches the maximum size. Additionally, if registration is insufficient in any class, it may be cancelled.

DROPPING CLASSES (“NGR”) AND CLASS WITHDRAWAL (“EW”, “W”)

Students are responsible for dropping or withdrawing from classes. Failure to follow the withdrawal procedures may result in a grade of “F” or “NP”.

(“NGR”) No Grade of Record

Students who drop before the NGR (No Grade of Record) deadline date will not have a notation/grade appear on their academic record. Students may apply for a refund through the Admissions and Records Office. For course cancellations, students may be eligible for a refund.

(“EW”) Excused Withdrawal

Excused Withdrawal occurs when a student is permitted to withdraw from a course(s) due to specific events beyond the control of the student affecting his or her ability to complete a course(s). Upon consultation with the course faculty and verification of these conditions or reviewing documentation substantiating the condition, an excused withdrawal symbol may be assigned “EW.” The “EW” shall not be counted in progress probation and dismissal calculations.

(“W”) Withdrawal

Class withdrawals that occur after the NGR drop period and prior to the “W” (Withdrawal) deadline date will result in a “W” notation on the student’s academic record. Students are subject to all course fees and/or tuition. “W” grades do not affect the student’s grade point average (GPA). However, excessive “W” notations may result in poor progress or dismissal status and may affect financial aid, athletic eligibility, and/or priority registration.

Note: Instructors have the option of dropping students who: (a) do not attend either of the first two class meetings; or (b) have excessive absences of four consecutive or six cumulative hours.

REPEATING A COURSE

Unless a course is noted as “repeatable” on the official course outline, the student who receives a satisfactory grade (C, P, or higher) cannot repeat the course, unless an exemption applies per California Education Code section §55042(b). If

a student receives a sub-standard grade and/ or withdraws from the course, the student is allowed to enroll in that course TWO more times for a total maximum of THREE enrollments per CA Ed Code §58161. California regulations specify the circumstances under which a student may repeat a course per CA Ed Code §55040 - §55045.

PROCEDURES FOR COURSE REPETITION

A “Petition to Repeat a Course” may be submitted to the Dean of Student Services or designee for consideration where the student has been blocked due to exceeding the limit of 3 attempts. This document is required for approval of repetitions beyond the limits noted in California regulations. Documentation is required depending on the reason for the Petition to Repeat a Course form.

Students are advised that both the original and subsequent grade will remain on their transcript and that in transferring to another institution, they may be held responsible for all units attempted.

Please refer to the College Catalog for detailed information regarding course repetition policies and procedures.

COURSE PREREQUISITES

A prerequisite is a requirement that must be completed prior to the registration of a course. “Prerequisite” means the preparation or previous course work considered necessary for success in the course. The college requires students to complete prerequisites as pre-enrollment preparation. Prerequisites, which are listed in the College Catalog, include:

1. Courses for which specific prerequisites have been validated.
2. Sequential course work in a degree-applicable program.
3. Courses in which a prerequisite is necessary for transfer to a four-year college.

PREREQUISITE OVERRIDE POLICY

Official transcripts are not evaluated upon receipt by the Admissions and Records Office. If a student completed an equivalent course at another institution, s/he must submit a Prerequisite Override Request to the Counseling Department.

1. Bring your unofficial transcript(s) showing successful completion of equivalent prerequisite coursework to the Counseling Department.
2. Request from the Counselor that you need to override the prerequisite for the course you wish to take.
3. Complete the top portion of the override form and return it to the Counselor with your transcript(s). You will be contacted when the evaluation process is completed.

ENROLLMENT POLICIES & PROCEDURES

ACADEMIC AND PROGRESS PROBATION

There are two types of probation: Academic and Progress. Students placed on probation may be required to meet with a Counselor to identify the deficiencies that created the probation status, determine what actions are needed to resolve the problem, and to develop a course schedule for the upcoming semester.

RE-ADMISSION FROM DISMISSED STATUS

Students who have been dismissed from Las Positas College for scholastic reasons may be readmitted if eligible under College policy outlined in the College Catalog. After completing the online application, students must submit a "Petition for Admission from Dismissed Status" to the Counseling Office, Bldg 1600.

COLLEGE TRANSCRIPTS

Las Positas College utilizes an online transcript ordering system. Las Positas College has retained Credentials, Inc. to accept transcript orders over the Internet. All official transcript orders must be placed through the website. To request your first two free transcripts, come in person to the Admissions and Records Office. Free transcripts are not offered online. Rush transcripts are never free.

Students may print unofficial transcripts from their CLASS-Web account.

CROSS ENROLLMENT WITH CALIFORNIA STATE UNIVERSITY, EAST BAY

Students who have completed 20 transferable units at Las Positas College with a 2.0 cumulative grade point average (GPA) may be eligible to cross enroll with California State University (CSU), East Bay while completing coursework at Las Positas College. Students may elect to cross enroll in courses at CSU East Bay which are not offered by Las Positas College including upper division courses. Students must be enrolled in a minimum of 6 units at Las Positas College and 12 units between the two campuses. For more information, contact the Counseling Department.

CROSS ENROLLMENT WITH UNIVERSITY OF CALIFORNIA, BERKELEY

Students who have completed one semester as a matriculated student at Las Positas College with a 2.0 cumulative grade point average (GPA), and are currently enrolled in a minimum of six units, may be eligible to cross enroll with the University of California (UC), Berkeley. A maximum of one course per term at UC Berkeley is allowed, and enrollment is on a space available basis. Additional requirements apply. For more information, contact the Counseling Department.

ORIENTATION, ASSESSMENT & STUDENT EDUCATIONAL PLAN

Welcome to Las Positas College! As part of our shared commitment to your educational success, we offer a number of programs and services to help you reach your educational goals. Three important “Core Services” that are highly encouraged – and required for priority registration – are Orientation, Assessment, and the Student Educational Plan (SEP). Learn about each of these essential services below:

CORE SERVICE 1: ORIENTATION

To help with your transition to LPC, an online orientation is offered for all students, including new, first-time college students and returning to college after being gone for one or more years. Within the orientation, members of the LPC community will introduce you to the school’s programs, services, academic regulations, expectations, campus facilities, and student life. You will need your LPC student identification number that was assigned to you to complete the online orientation. Completion of the orientation is required to participate in priority registration at LPC. Visit <https://bw11.clpccd.cc.ca.us/> to access the online orientation at the website.

CORE SERVICE 2: ASSESSMENT

At LPC, we want you to be successful. In order to help determine the proper courses for you to begin your educational career at LPC, all students are encouraged to complete the Guided Self Placements for Math and English. The Assessment Center also offers placement-level evaluation for English as a Second Language, Chemistry and Foreign Language (Spanish and French) courses. No appointment is necessary! Completion of the Guided Self Placement for Math and English or assessment for English as a Second Language is required to participate in priority registration at LPC. Visit the LPC Home Page and search “Assessment” for the drop-in assessment schedule. If you have a documented disability and required accommodations, please contact the Assessment Center (925-424-1475) to schedule your appointment.

CORE SERVICE 3: STUDENT EDUCATIONAL PLAN (SEP)

After completing your assessment, you will have the opportunity to schedule an educational planning session with a counselor to review your assessment results, to learn about your educational/career options and develop a Student Educational Plan (SEP) for your first semester at LPC. Completion of the SEP is required to participate in priority registration to select courses for your first term. During your first semester of attendance, you are strongly encouraged to make an appointment to meet with a counselor to discuss your goals and develop a Student Educational Plan (SEP). The purpose of your SEP is to help plan the courses that are required to meet your educational goal(s). During your SEP appointment with a counselor, you will learn what courses you need, the overall time line to complete your goal, and the support services available to help your successfully achieve your goal(s). You may meet with a counselor in-person or online. Visit the LPC Home Page and search “Counseling” for counseling services offered, and available hours. To schedule a counseling appointment you may call (925) 424-1400 or visit the Counseling Office on the first floor of the 1600 building.

TRACK YOUR PROGRESS WITH DEGREE WORKS

LPC now offers a web-based tool to help you keep track of your educational progress! Degree Works (DW) allows you as a student to view your Student Educational Plan and confirm what courses you have completed, as well as what courses remain, toward meeting your educational objective(s). DW matches your academic and course history, as well as your current course schedule, against the degree requirements as defined in the LPC College Catalog.* Thinking about adding a major, or changing your goal? DW also gives you the opportunity to explore “What If Scenarios,” to determine how your courses meet requirements for programs other than your current declared major. Please meet with a counselor for questions about your educational goal or to change your Student Educational Plan.

To access Degree Works, follow these steps:

1. Visit the LPC Home Page and login to CLASS-Web.
2. Once logged in, navigate to the Student Service tab.
3. Scroll down to locate the Degree Works link.

*A degree audit created in Degree Works is not official notification of completion of degree or certificate requirements.

INTRODUCTION TO ACADEMIC PROGRAMS

Las Positas College is authorized by the Board of Governors of the California Community Colleges to confer the Associate of Arts degree, Associate of Science degree, and Certificate of Achievement upon students who complete the necessary requirements. Career certificates are not transcribed and provide industry-based professional development. The following is a listing of academic programs currently offered at Las Positas College.

- Associate of Arts (AA)
- Associate of Science (AS)
- Associate in Arts for Transfer (AAT)
- Associate in Science for Transfer (AST)

- CA Certificate of Achievement
- CP Certificate of Competency - noncredit
- CL Certificate of Completion - noncredit
- § Certificate of Accomplishment - not transcribed

* Career Technical Education (CTE) - occupational programs designed for job entry; some courses are transferable to 4-year institutions

Administration of Justice			
Administration of Justice*	AA	AS-T	
Law Enforcement*			CA
Anthropology			
Anthropology		AA-T	
Art			
Art: Emphasis in Painting	AA		
Studio Arts		AA-T	
Art History			
Art History		AA-T	
Automotive Technology			
Automotive Electronics Technology*	AS		
Automotive Chassis*			CA
Automotive Drivability*			CA
Biology			
Biology	AA	AS-T	
Biology: Allied Health	AA		
Computational Biology	AA		CA
Business			
Accounting Technician*			CA
Administrative Assistant*	AA		CA
Bookkeeping*			§
Business*	AS		
Business Administration*	AA	AS-T	
Business Entrepreneurship*	AA		CA
Business Workforce Proficiency*			§
Retail Management (W AFC)*			CA
Supervisory Management*			CA
Chemistry			
Chemistry	AS		
Chemistry Education	AS		
Communication Studies			
Communication Studies		AA-T	
Computer Information Systems			
Administrative Medical Assistant*			CA
Computer Applications Software*			CA
Computer Information Systems*	AA		
Computer Information Technologist*	AS		
Project Management*			§
Web Development*			§
Computer Networking Technology			
Cisco Network Associate*			CA
Computer Desktop OS Security*			CA

Computer Network Technician*			CA
CyberSecurity*			CA
Digital Forensics Examiner*			CA
IT Support Professional*			CA
Microsoft Systems Administrator*			CA
Network Security and Administration*	AS		
Computer Science			
Computer Programming*			CA
Computer Programming for the Web*			CA
Computer Science	AS		
Early Care and Education			
Associate Teacher*			CA
Child and Adolescent Development		AA-T	
Early Childhood Development*	AA		CA
Early Childhood Education*		AS-T	
Early Childhood Intervention*	AA		
Early Childhood Intervention Assistant*			CA
Economics			
Economics		AA-T	
Emergency Medical Services			
Emergency Medical Technologies*			CA
Emergency Medical Services EMT-Paramedic*	AS		CA
Emergency Medical Responder*			§
Engineering Technology			
Engineering Technology*	AS		
English			
Creative Writing			CA
English	AA	AA-T	
English as a Second Language			
ESL College Grammar Pathway			CP
ESL College Reading and Writing Pathway			CP
Environmental Science			
Environmental Science	AS		
Environmental Studies			
Environmental Studies	AA		
Fire Service Technology			
Fire Academy - Fire Suppression*			CA
Fire Prevention*			CA
Fire Service Technology*	AS		CA
Geography			
Geography		AA-T	
Geology			
Geology		AS-T	CA

Geology Major			CA
Global Studies			
Global Studies		AA-T	
Graphic Arts & Digital Media			
Digital Illustration*			CA
Graphic Design*	AA		CA
Print Design*			CA
Web & Interaction Design*			CA
Health			
Public Health Science		AS-T	
History			
History		AA-T	
Horticulture			
Horticulture*	AS		CL
Landscape Design*			CA
Landscape Maintenance and Construction*			CA
Nursery, Greenhouse, and Grower Operations*			CA
Ornamental Horticulture*			CA
Humanities			
Humanities	AA		CA
Interior Design			
Interior Design	AS		CA
Kinesiology			
Athletic Training/Sports Medicine*			CA
Fitness Trainer*			CA
Kinesiology		AA-T	
Liberal Arts and Sciences			
Arts and Humanities	AA		
Business	AA		
Computer Studies	AA		
Language Arts and Communication	AA		
Mathematics and Science	AA		
Social and Behavioral Sciences	AA		
Marketing			
Marketing*	AA		
Retailing*			CA
Mass Communications			
Journalism		AA-T	
Mass Communications*	AA		
Mass Communications: Journalism*			CA
Mass Communications: Radio Communications*			§
Mathematics			
College Mathematics Pathway			CP
College Mathematics Support			CP
Foundational Mathematics Pathway			CP

Foundational Mathematics Support			CP
Math Jam for College Mathematics			CP
Math Jam for Foundational Mathematics			CP
Math Jam Tutor Pathway			CL
Mathematics		AS-T	
Music			
Commercial Music: Music Business*			CA
Commercial Music: Music Technology Fundamentals*			CA
Commercial Music: Teaching Beginning Piano*			CA
Commercial Music: Teaching Intermediate Piano*			CA
Commercial Music: Scoring for Film and Multimedia*			CA
Jazz Studies			CA
Music	AA	AA-T	
Nutrition			
Nutrition and Dietetics		AS-T	
Occupational Safety and Health			
Occupational Safety and Health*	AS		CA
Occupational Safety*			§
Philosophy			
Philosophy		AA-T	
Photography			
Photography*	AA		CA
Physics			
Physics	AS		
Political Science			
Political Science		AA-T	
Psychology			
Psychology		AA-T	
Psychology-Counseling			
Social Work and Human Services		AA-T	
Sociology			
Sociology		AA-T	
Theater Arts			
Technical Theater*			CA
Theater Arts	AA	AA-T	
University Transfer			
CSU General Education Breadth			CA
IGETC (Intersegmental General Education Curriculum)			CA
Viticulture & Winery Technology			
Enology*	AS		CA
Viticulture*	AS		CA
Wine Hospitality*			CA
Welding Technology			
Welding Technology*	AS		CA

If you have any questions regarding programs of study, please be sure to see a counselor.

A decorative background featuring several pink daisy-like flowers with thin, dark stems. The flowers are rendered in a soft, watercolor-like style, with some appearing more vibrant than others. The stems are thin and dark, extending from the bottom of the page towards the flowers. The overall composition is clean and minimalist, with a focus on the floral elements.

Spring 2020

Spring 2020 Course Listings

QUICK REFERENCE GUIDE

	PAGE
Academic Calendar	2
Priority Registration	3
Admission Information	5-6
Course Registration Procedures	7
Waitlist & Class Add Procedures	7
Degree, Certificate, & Transfer Programs	12-13
Spring Course Listings	15-91
Fees, Payment Plan, and Refunds	102-103
Financial Aid	104
Academic and Student Support Services	105-107
Campus Safety	111-113

IMPORTANT ENROLLMENT INFORMATION

~ Please pay close attention to course deadline dates ~

These dates may vary for some courses (*such as Late Start and Fast Track*). Complete the following steps to check the deadline dates to add a course, drop with NGR (no-grade-of-record), get a refund, pass/no pass and withdrawal:

How to check a class for Add, Drop NGR, Refund, Pass/No Pass and Withdrawal Deadlines

1. Log into CLASS-Web
2. Select the "Student Services" tab
3. Click the "Registration" link
4. Click the "Check Class Deadlines" link
5. Enter the CRN

All registration notices, Financial Aid and general College information will be sent to your ZONEmail Account. Check it regularly.

HOW TO READ THE COURSE LISTINGS

D/E	CRN	DAYS	TIMES	ROOM	INSTR	DATES	CODES	SEC
-----	-----	------	-------	------	-------	-------	-------	-----

ANTH 1 PHYSICAL ANTHROPOLOGY 3.0 UNITS

Humans as a biological species through an examination of fossil evidence for human evolution, behavior of nonhuman primates, and human evolutionary biology and genetics. Current anthropological issues such as the biological meaning of race, genetic diseases, and the influence of evolution on human behavior. CAN ANTH 2

Day	20757	MW	12:30-1:45	2206	TARTE	08/17-12/20	OP	V01
Eve	20978	Wed	7:00-9:50	2206	TARTE	08/17-12/20	OP	093
Sat	12752	Sat	7:30-10:20	2206	ADAMS	08/17-12/20	OP	WEI

1 COURSE TYPES:
Indicates Day, Evening, Saturday, or Web class. Evening classes are shaded Web classes are in blue

CRN:
Course Registration Number needed to register for a specific class on CLASS-Web.

2 DAYS:
Indicates which days the course is offered.

TIMES:
Indicates the time of day or evening the class is held.

NOTE:
Course conflict/overlap:
Students may not enroll in two classes that meet during any part of the same hour.

3 ROOM:
Indicates the ROOM NUMBER in which class is held.

4 INSTR:
Indicates the INSTRUCTOR for the class.

5 DATES:
Indicates the START & END DATES in which class is offered

6 GRADE OPTIONS:
Indicates whether the course may be taken as a:
GR: letter grade only
P/NP: pass/no pass
OP: choice of either pass/no pass, or letter grade.

8 Indicates UNIT VALUE

7 SEC:
Indicates the SECTION NUMBER

Explanation of Terms used in the Course Listings:

1 COURSE TYPES

- Day** Indicates the course meets between 7am and 4pm
- Eve** Indicates the course meets between 4pm and 10pm
- Sat** Indicates the course meets on the weekend
- Web** Indicates the course is an online, web-based course

2 MEETING DAYS

- M / Mon** = Monday
- T / Tue** = Tuesday
- W / Wed** = Wednesday
- Th / Thu** = Thursday
- F / Fri** = Friday
- S / Sat** = Saturday
- S / Sun** = Sunday
- Daily** = Monday thru Friday

3 ROOMS

Refer to campus map on p. 117 for room and building locations
(*) indicates a course is held off-campus (see p. 116 for a list of Off-Campus Instructional Sites)

4 INSTRUCTORS

Courses with a **STAFF** notation did not have an instructor assigned at the time this schedule was printed. Refer to CLASS-Web for most current information.

5 DATES

- Full-term** courses meet from Jan 13-May 22
- Late Start** courses meet from Jan 27-May 22
- Fast Track** courses meet from Jan 13-Mar 13 or Mar 16-May 15

NOTE: Start and end dates for a course affect deadlines such as add, drop, and census. See page 38 for instructions on how to find these dates for each course.

6 GRADE OPTIONS

- GR** Course must be taken for letter grade (no pass/no pass).
- OP** Course may be taken for letter grade OR pass/no pass.
- P/NP** Course must be taken for pass/no pass (no letter grade).

7 SECTION NUMBERS

- 091** AJ Program
- 093** Regular Evening class (starts 4pm or later)
- 100** AJ Academy section
- API** Apprenticeship
- C01** Corequisite Paired Course
- CEI** Credit by Exam
- DEI** Fully Online
- FTI** Fast Track 1
- FT2** Fast Track 2
- FSA** College Foundation
- HDI** Hybrid - 51% DE (course meets 51% or more online)
- HSI** High school (grant-funded)
- HYI** Hybrid - (course meets less than 51% online)
- LCI** ECD Learning Community
- LDI** Late Start - Hybrid 51% DE
- LEI** Late Start - Evening class
- LHI** Late Start - Hybrid
- LOI** Late Start - DE (fully online)
- LSI** Late Start - Day class
- M01** Math Jam
- N01** Noncredit - Day class
- N93** Noncredit - Evening class
- P01** Puente Program
- STI** Alternate Instruction
- T01** Technical Math: Emporium Mode
- V01** Regular Day class
- VTI** Veteran Program
- VCI** Valley Charter
- WEI** Saturday class
- WLC** Weekend ECD Learning Community
- X01** Math Emporium Mode

8 UNITS

Indicates unit value of each course.

SPRING 2020 COURSE LISTINGS

PREREQUISITE:

means a condition of enrollment that a student is required to meet in order to demonstrate current readiness for enrollment in a course or educational program.

STRONGLY RECOMMENDED:

means a condition of enrollment which a student is advised, but not required, to meet before, or in conjunction with enrollment in a course or educational program.

COREQUISITE:

means a condition of enrollment consisting of a course which a student is required to take simultaneously with another course.

“STAFF” NOTATION:

As courses are assigned to instructors, the updates will be posted on CLASS-Web and The ZONE

SHADING indicates Evening classes

ONLINE & HYBRID classes are noted in blue

NON-CREDIT classes are noted in green

*Courses are open to all students who meet the academic requirements.

*All course information is subject to change

*Courses not meeting enrollment requirements may be cancelled

Courses, dates, and times are subject to change. Please check the college website at www.laspositacollege.edu for the most up-to-date information regarding Spring course offerings.

CODES: OP = Course taken for letter grade or pass/no pass; P/NP = Course taken is Pass/No Pass only; GR = Course taken for letter grade only

D/E	CRN	DAYS	TIMES	ROOM	INSTRUCTOR	DATES	CODES	SEC	D/E	CRN	DAYS	TIMES	ROOM	INSTRUCTOR	DATES	CODES	SEC
-----	-----	------	-------	------	------------	-------	-------	-----	-----	-----	------	-------	------	------------	-------	-------	-----

ADMINISTRATION OF JUSTICE

AJ 50 INTRO TO ADMIN OF JUSTICE 3.0 Units

History and philosophy of administration of justice in America; recapitulation of the system; identifying the various subsystems, role expectations, and their interrelationships; theories of crime, punishment, and rehabilitation; ethics, education and training for professionalism in the system.

Day	30312	MW	12:30-1:45	2206	MCQUISTON	01/13-05/22	OP	V01
Eve	32071	Wed	5:00-7:50	2206	MCQUISTON	01/13-05/22	OP	093

AJ 55 INTRO TO CORRECTIONAL SCIENCE 3.0 Units

Aspects of modern correctional process as utilized in rehabilitation of adult and juvenile offenders. Emphasis on custody, rehabilitation and treatment programs as recognized by modern penology. Exploration of career opportunities.

Day	32495	TTh	12:30-1:45	2206	MCQUISTON	01/13-05/22	OP	V01
-----	-------	-----	------------	------	-----------	-------------	----	-----

AJ 61 EVIDENCE 3.0 Units

Origin, development, philosophy and constitutional basis of evidence; constitutional and procedural considerations affecting arrest, search and seizure; kinds and degrees of evidence and rules governing admissibility; judicial decisions interpreting individual rights and case studies.

Eve	30246	Tue	7:00-9:50	2203	STEWART	01/13-05/22	GR	093
-----	-------	-----	-----------	------	---------	-------------	----	-----

AJ 66 JUVENILE PROCEDURES 3.0 Units

This course is an examination of the origin, development, and organization of the juvenile justice system as it evolved in the U.S. justice system. The course explores the theories that focus on juvenile law, courts and processes, and the constitutional protections extended to juveniles in the U.S justice system.

Strongly Recommended: ENG 1A with a minimum grade of C

Day	31653	TTh	2:00-3:15	2206	MCQUISTON	01/13-05/22	OP	V01
-----	-------	-----	-----------	------	-----------	-------------	----	-----

AJ 68 POLICE ETHICS AND LEADERSHIP 3.0 Units

This course will explore the ethical, legal and moral complexities

of law enforcement in a democracy. From the initial application process and background investigation of a potential law enforcement recruit, to the working law enforcement officer, the course will examine society's need for ethical behavior and leadership by law enforcement agencies and the personal commitment to ethical behavior and ethical leadership by individual law enforcement officers, both on the job and in their private lives.

Eve	30659	Th	4:00-6:50	2206	MCQUISTON	01/13-05/22	OP	093
-----	-------	----	-----------	------	-----------	-------------	----	-----

AJ 70 COMMUNITY RELATIONS 3.0 Units

This course examines the complex, dynamic relationship between communities and the justice system in addressing crime and conflict with an emphasis on the challenges and prospects of administering justice within a diverse multicultural population. Topics may include the consensus and conflicting values in Culture, Religion, and Law.

Eve	31654	Tue	4:00-6:50	2206	SPILLER	01/13-05/22	GR	093
-----	-------	-----	-----------	------	---------	-------------	----	-----

AJ 9965 INTERNAL AFFAIRS INVESTIGATION 1.5 Units

Designed to teach the student the proper investigative techniques into alleged misconduct by California peace officers, correctional officers and others in the employ of any California agency that employs peace officers. The student will learn the legal, ethical, moral and technical standards by which these investigations shall be conducted under state law and the discipline that may result from the outcome. This class is designed for POST certified peace officers who hold a minimum of a basic POST certificate or civilian police employees who have been designated by their respective agency as an IA investigator.

This course is offered in partnership with the Alameda County Sheriff's Office. Students may initiate the application process for this course, or get further information by contacting the Alameda County Sheriff's Office Regional Training Center at 6289 Madigan Road, Dublin, CA 94568 phone: 925-551-6970, website: <http://www.sheriffacademy.com>

Day	31685	By Arr	27.0 Hrs/Wk	*	STAFF	01/13-05/22	P/N	092
-----	-------	--------	-------------	---	-------	-------------	-----	-----

*offsite room meets at SANTA RITA JAIL
5325 BRODER BLVD. DUBLIN, CA

D/E	CRN	DAYS	TIMES	ROOM	INSTRUCTOR	DATES	CODES	SEC	D/E	CRN	DAYS	TIMES	ROOM	INSTRUCTOR	DATES	CODES	SEC
-----	-----	------	-------	------	------------	-------	-------	-----	-----	-----	------	-------	------	------------	-------	-------	-----

AJ 9969 FIREARMS INSTRUCTOR 2.5 Units
 Designed to train individuals to be firearms instructors. Covers basic firearms knowledge, teaching techniques and lesson planning, range preparation, combat shooting techniques and safety. A California Peace Officer Standards and Training (POST) certified course designed for full-time peace officers.

This course is offered in partnership with the Alameda County Sheriff's Office. Students may initiate the application process for this course, or get further information by contacting the Alameda County Sheriff's Office Regional Training Center at 6289 Madigan Road, Dublin, CA 94568 phone: 925-551-6970, website: <http://www.sheriffacademy.com>.

Day	31684	By Arr	13.5 Hrs/Wk	*	STAFF	01/13-05/22	P/N	091
Lab	By Arr	27.0 Hrs/Wk	*			01/13-05/22	P/N	

**offsite room meets at SANTA RITA JAIL
5325 BRODER BLVD. DUBLIN, CA*

AJ 9979 BASIC POLICE CYCLIST 1.5 Units
 A course designed for those newly assigned to bicycle patrol work. Covers basic cycling principles and skills, including riding in traffic, bicycle fitness, gear selection, basic maintenance, health and nutrition, emergency handling skills, hazard evasion, night riding, patrol tactics, legal issues, traffic laws and scenarios. This is a California Peace Officer Standards and Training (POST) certified course for regular or reserve peace officers in federal, state, or local law enforcement.

Day	33533	By Arr	1.0 Hrs/Wk	tba	TUCKER	01/13-05/22	P/N	091
Lab	By Arr	1.5 Hrs/Wk	tba			01/13-05/22	P/N	

AJ 9980 RIFLE MARKSMANSHIP & SNIPER 2.0 Units
 A course designed to provide the necessary rifle and tactical skills for the Sniper/Observer to function in support of high-risk law enforcement operations. Course content includes team missions, organization, marksmanship skills, field craft, ballistics, information collection, reporting procedures and tactical command post. This is a California Peace Officers Standards and Training (POST) certified course designed for regular or reserve peace officers in federal, state, or local law enforcement.

This course is offered in partnership with the Alameda County Sheriff's Office. Students may initiate the application process for this course, or get further information by contacting the Alameda County Sheriff's Office Regional Training Center at 6289 Madigan Road, Dublin, CA 94568 phone: 925-551-6970, website: <http://www.sheriffacademy.com>.

Day	32142	By Arr	13.5 Hrs/Wk	*	STAFF	01/13-05/22	P/N	091
Lab	By Arr	13.5 Hrs/Wk	*			01/13-05/22	P/N	

** offsite room meets at SANTA RITA JAIL
5325 BRODER BLVD. DUBLIN, CA*

AJ 9998 POST BASIC SUPERVISORY 4.5 Units
 This course will cover the basic theories of leadership as they apply to problem-solving. The principles of authority and command will also be explored; as will the concept of failure as it relates to organizational decision-making. Examples will be offered from various models of leadership, including historic leadership styles, command and control, and leadership roles. Problem-solving/decision-making and strategic planning are current themes to be covered in the context of leadership.

Prerequisite: AJ 9997 with a minimum grade of Pass or Possession of a Basic California POST Certificate

This course is offered in partnership with the Alameda County Sheriff's Office. Students may initiate the application process for this course, or get further information by contacting the Alameda County Sheriff's Office Regional Training Center at 6289 Madigan Road, Dublin, CA 94568 phone: 925-551-6970, website: <http://www.sheriffacademy.com>.

Day	31683	By Arr	40.5 Hrs/Wk	*	TUCKER	04/20-05/01	P/N	091
<i>*offsite room meets at SANTA RITA JAIL 5325 BRODER BLVD. DUBLIN, CA</i>								
Day	32385	By Arr	40.5 Hrs/Wk	*	TUCKER	04/20-05/01	P/N	092
<i>*offsite room meets at SANTA RITA JAIL 5325 BRODER BLVD. DUBLIN, CA</i>								

AMERICAN SIGN LANGUAGE

45 C.E. UNITS FOR RN/LVN AVAILABLE FOR COMPLETION OF ASL 1A, 1B, OR 2B

ASL 1A AMERICAN SIGN LANGUAGE I 3.0 Units
 Introduction to American Sign Language (ASL) including expressive and receptive sign, the manual alphabet, facial expression, and body gestures. Emphasis on conversational skills in functional situations, knowledge of Deaf culture and the Deaf community.

Day	30302	MW	11:00-12:15	1051	RUSSO	01/13-05/22	GR	V02
Eve	31008	Th	7:00-9:50	1051	COLE	01/13-05/22	GR	093
Eve	30879	TTh	5:30-6:45	2480	COLE	01/13-05/22	GR	094

ASL 1B AMERICAN SIGN LANGUAGE II 3.0 Units
 Continued development of American Sign Language (ASL) receptive/expressive skills and knowledge learned in ASL 1A. Emphasis on conversational skills in functional situations, continued vocabulary and sentence structure expansion, and knowledge of Deaf culture and the Deaf community.

Prerequisite: ASL 1A with a minimum grade of C

Day	30351	MW	12:30-1:45	1056	RUSSO	01/13-05/22	GR	V01
-----	-------	----	------------	------	-------	-------------	----	-----

ASL 2B AMERICAN SIGN LANGUAGE IV 3.0 Units
 Further development of American Sign Language (ASL) receptive/expressive skills and knowledge learned in ASL 2A. Emphasis on conversational skills in functional situations, continued expansion of vocabulary and knowledge of Deaf culture and the Deaf community.

Prerequisite: ASL 2A with a minimum grade of C

Eve	30303	Tue	7:00-9:50	2480	COLE	01/13-05/22	GR	093
-----	-------	-----	-----------	------	------	-------------	----	-----

ANTHROPOLOGY

ANTR I BIOLOGICAL ANTHROPOLOGY 3.0 Units
 This course introduces the concepts, methods of inquiry, and scientific explanations for biological evolution and their application to the human species. Issues and topics will include, but are not limited to, genetics, evolutionary theory, human variation and biocultural adaptations, comparative primate anatomy and behavior, and the fossil evidence for human evolution. The scientific method serves as foundation of the course. The course may include a lab component.

Strongly Recommended: Eligibility for ENG 1A

Day	32200	MW	9:30-10:45	1061	CEARLEY	01/13-05/22	OP	V01
Day	31164	MW	2:00-3:15	1061	KOHLER	01/13-05/22	OP	V02
Day	30798	TTh	9:30-10:45	1061	HASTEN	01/13-05/22	OP	V03

D/E	CRN	DAYS	TIMES	ROOM	INSTRUCTOR	DATES	CODES	SEC	D/E	CRN	DAYS	TIMES	ROOM	INSTRUCTOR	DATES	CODES	SEC
-----	-----	------	-------	------	------------	-------	-------	-----	-----	-----	------	-------	------	------------	-------	-------	-----

Day	30799	TTh	11:00-12:15	1061	HASTEN	01/13-05/22	OP	V04
Day	30800	TTh	12:30-1:45	1061	HASTEN	01/13-05/22	OP	V05
Day	31742	Fri	8:00-10:50	1061	KOHLER	01/13-05/22	OP	V06
Eve	31419	Tue	7:00-9:50	1061	CEARLEY	01/13-05/22	OP	093
Web	30797	ONLINE			MURRAY	01/13-05/22	OP	DEI

ANTR 1-DEI is an online course. For more information, see the section titled "Online Learning" in this schedule, or go to <http://www.laspositascollege.edu/onlinelearning>.

Web	32979	ONLINE			MURRAY	01/13-05/22	OP	DE2
-----	-------	--------	--	--	--------	-------------	----	-----

ANTR 1-DE2 is an online course. For more information, see the section titled "Online Learning" in this schedule, or go to <http://www.laspositascollege.edu/onlinelearning>.

ANTR 1L BIOLOGICAL ANTHROPOLOGY LAB 1.0 Units

This laboratory course is offered as a supplement to Introduction to Biological Anthropology either taken concurrently or in a subsequent term. Laboratory exercises are designed to introduce students to the scientific method and explore genetics, human variation, human and non-human primate anatomy and behavior, the primate/hominin fossil record and other resources to investigate processes that affect human evolution.

Prerequisite: ANTR 1 with a minimum grade of C (May be taken concurrently)

Strongly Recommended: Eligibility for ENG 1A

Day	30802	Lab Mon	3:30-6:20	1061	STAFF	01/13-05/22	OP	V01
Day	31639	Lab Fri	11:00-1:50	1061	KOHLER	01/13-05/22	OP	V02
Day	31966	Lab Tue	3:30-6:20	1061	STAFF	01/13-05/22	OP	V03
Eve	32672	Lab Wed	6:30-9:20	1061	STAFF	01/13-05/22	OP	093

ANTR 2 INTRODUCTION TO ARCHAEOLOGY 3.0 Units

This course is an introduction to the study of concepts, theories, data and models of anthropological archaeology that contribute to our knowledge of the human past. The course includes a discussion of the nature of scientific inquiry; the history and interdisciplinary nature of archaeological research; dating techniques; methods of survey, excavation, analysis, and interpretation; cultural resource management; professional ethics; and selected cultural sequences.

Strongly Recommended: Eligibility for ENG 1A

Day	30804	MW	12:30-1:45	1061	CEARLEY	01/13-05/22	OP	V01
Web	30803	ONLINE			OEH	01/13-05/22	OP	DEI

ANTR 2-DEI is an online course. For more information see the section titled "Online Learning" in this schedule, or go to <http://www.laspositascollege.edu/onlinelearning>.

ANTR 2L ARCHAEOLOGY FIELD LAB 1.0 Units

This Archaeology Field Lab course offers hands-on field experience and artifact analysis. Students practice scientific archaeological recovery methods and techniques, including site planning, excavation, typology, cataloging, artifact recognition and reconstruction. In addition to gaining expertise in field research, students will examine and discuss techniques, tools and processes in cultural resource management.

Prerequisite: ANTR 2 with a minimum grade of C (May be taken concurrently)

Day	33554	Lab Wed	3:30-6:20	1061	CEARLEY	01/13-05/22	OP	V01
-----	-------	---------	-----------	------	---------	-------------	----	-----

ANTR 3 CULTURAL ANTHROPOLOGY 3.0 Units

This course explores how anthropologists study and compare human culture. Cultural anthropologists seek to understand the broad arc of human experience focusing on a set of central issues: how people around the world make their living (subsistence patterns); how they organize themselves socially, politically

and economically; how they communicate; how they relate to each other through family and kinship ties; what they believe about the world (belief systems); how they express themselves creatively (expressive culture); how they make distinctions among themselves such as through applying gender, racial and ethnic identity labels; how they have shaped and been shaped by social inequalities such as colonialism; and how they navigate culture change and processes of globalization that affect us all. Ethnographic case studies highlight these similarities and differences, and introduce students to how anthropologists do their work, employ professional anthropological research ethics and apply their perspectives and skills to understand humans around the globe.

Strongly Recommended: Eligibility for ENG 1A.

Day	30806	MW	11:00-12:15	1056	HASTEN	01/13-05/22	OP	V01
Web	33556	ONLINE			OEH	01/13-05/22	OP	DEI

ANTR 3-DEI is an online course. For more information see the section titled "Online Learning" in this schedule, or go to <http://www.laspositascollege.edu/onlinelearning>.

ANTR 4 LANGUAGE AND CULTURE 3.0 Units

This introductory course serves as a foundation for understanding language from an anthropological perspective, addressing such core questions as how, what, when, where, why and with whom we communicate. This course surveys three core areas in linguistic anthropology--structural linguistics: phonetics, phonology, morphology and syntax, as well as the biocultural basis of language; historical linguistics: origins and evolution/change, dialects, and language families; and sociocultural linguistics: language acquisition in cultural context, emphasizing the relationship between language and culture, and issues of language conservation and loss.

Strongly Recommended: Eligibility for ENG 1A

Day	31640	TTh	12:30-1:45	1056	MURRAY	01/13-05/22	OP	V01
-----	-------	-----	------------	------	--------	-------------	----	-----

ANTR 6 ANTHROPOLOGY OF SEX AND GENDER 3.0 Units

Using research and theory from the fields of biology, cultural anthropology, linguistics, and archaeology, this course takes an anthropological approach to the study of sex and gender across cultures and throughout time. Topics include the cultural construction of gender, sex, and sexuality; the biological foundations of sex; and how gender difference relates to cultural practice.

Strongly Recommended: Eligibility for ENG 1A

Day	33209	MW	9:30-10:45	1056	HASTEN	01/13-05/22	OP	V01
-----	-------	----	------------	------	--------	-------------	----	-----

ANTR 7 NATIVE AMERICAN CULTURES 3.0 Units

Survey of ways of life of traditional North American Indian cultures in different geographical areas throughout North America prior to European contact and continuing today. Topics include prehistory of Native American cultures, cultural change in response to European contact, current Native American socio-economic conditions, recent legislation including NAGPRA, social movements and cultural renewal.

Day	33555	Wed	2:00-4:50	tba	CEARLEY	01/13-05/22	OP	V01
-----	-------	-----	-----------	-----	---------	-------------	----	-----

ANTR 13 INTRO TO FORENSIC ANTHROPOLOGY 3.0 Units

Introductory course in the application of physical anthropology to the medico-legal process with an emphasis on the identification of human skeletal remains. Includes basic human osteology and odontology, assessment of age at time of death, sex, ancestry, trauma analysis, pathology, and general physical characteristics including height and weight based upon minimal skeletal

remains. Estimation of time since death, crime scene analysis, animal scavenging, and identification procedures.

Strongly Recommended: Eligibility for ENG 1A

Day	30801	Th	3:30-6:20	1061	CEARLEY	01/13-05/22	OP	V01
-----	-------	----	-----------	------	---------	-------------	----	-----

ART - HISTORY

PLEASE NOTE: STUDENTS MAY TAKE ART HISTORY COURSES IN ANY ORDER

ARHS 1 INTRO TO ART HISTORY 3.0 Units

Architecture, sculpture, painting, photography and design in relation to human inventiveness in providing for material and aesthetic needs. This course provides a general introduction to art that offers a look at works of art through the study of theory, terminology, themes, design principles, media, techniques, with an introduction to art that offers a look at works of art through the study of theory, terminology, themes, design principles, media, techniques, with an introduction to the visual arts across time and diverse cultures. 3 hours lecture.

Strongly Recommended: Eligibility for ENG 1A

Day	31681	Th	4:00-6:50	2490	RENERIA	01/13-05/22	OP	V01
-----	-------	----	-----------	------	---------	-------------	----	-----

Day	33508	MW	9:00-10:15	2204	STAFF	01/13-05/22	OP	V02
-----	-------	----	------------	------	-------	-------------	----	-----

ARHS 4 WESTERN ART HISTORY-ANCIENT 3.0 Units

History of Western art from prehistoric times through Egyptian, Mesopotamian, Aegean, Greek, Etruscan, Roman, Early Christian, Byzantine, Medieval, Romanesque, and Gothic civilizations.

Strongly Recommended: Eligibility for ENG 1A

Day	30707	MW	11:00-12:15	103	RENERIA	01/13-05/22	OP	V01
-----	-------	----	-------------	-----	---------	-------------	----	-----

ARHS 5 WESTERN ART HIST-RENAISSANCE 3.0 Units

History of Western art from Early Renaissance, High Renaissance, Mannerism, Baroque, Neoclassicism, Romanticism, Realism, Impressionism, Post-Impressionism, 20th Century developments of American art.

Strongly Recommended: Eligibility for ENG 1A

Day	30877	TTh	11:00-12:15	105	RENERIA	01/13-05/22	OP	V01
-----	-------	-----	-------------	-----	---------	-------------	----	-----

ARHS 6 MUSEUM & GALLERY TECHNIQUES 3.0 Units

An examination of the methodology and technique of displaying visual art within a museum/gallery space. Opportunities to meet artists from the Bay Area and beyond, learn the meaning behind their artwork, and gain hands-on practice in a range of activities covering the presentation, handling, and security of original artwork in the LPC Center for the Arts Gallery.

Day	32558	TTh	1:00-1:50	502	RENERIA	01/13-05/22	OP	V01
-----	-------	-----	-----------	-----	---------	-------------	----	-----

Lab	TTh	2:00-3:15	502	01/13-05/22	OP
-----	-----	-----------	-----	-------------	----

ARHS 8 ASIAN ART HISTORY 3.0 Units

Asian art history surveys the arts of India, China, Korea, and Japan. The architecture, painting, sculpture, and other arts are examined within their religious and social contexts.

Strongly Recommended: ENG 1A with a minimum grade of C

Day	33210	MW	12:30-1:45	105	RENERIA	01/13-05/22	OP	V01
-----	-------	----	------------	-----	---------	-------------	----	-----

ART

ARTS 2A INTRODUCTION TO DRAWING 3.0 Units

Introduction to principles, elements, and practices of drawing, employing a wide range of subject matter and drawing media. Focus on perceptually based drawing, observational skills, technical abilities, and creative responses to materials and subject matter.

Day	32194	TTh	1:00-1:50	501	WAGNER	01/13-05/22	OP	V01
-----	-------	-----	-----------	-----	--------	-------------	----	-----

Lab	TTh	2:00-3:50	501	01/13-05/22	OP
-----	-----	-----------	-----	-------------	----

Eve	32559	TTh	4:00-4:50	501	WAGNER	01/13-05/22	OP	093
-----	-------	-----	-----------	-----	--------	-------------	----	-----

Lab	TTh	5:00-6:50	501	01/13-05/22	OP
-----	-----	-----------	-----	-------------	----

ARTS 2B DRAWING AND COMPOSITION 3.0 Units

Exploration of artistic concepts, styles, and creative expression related to intermediate-level drawing, focusing on complex subject matter and concepts using a variety of drawing mediums, techniques, and methodologies. Students in this course will build on fundamental drawing skills to develop personalized approaches to content and materials in exercises covering multiple historical and contemporary approaches to drawing.

Prerequisite: ARTS 2A with a minimum grade of C

Day	30706	TTh	1:00-1:50	501	WAGNER	01/13-05/22	OP	V01
-----	-------	-----	-----------	-----	--------	-------------	----	-----

Lab	TTh	2:00-3:50	501	01/13-05/22	OP
-----	-----	-----------	-----	-------------	----

Eve	32195	TTh	4:00-4:50	501	WAGNER	01/13-05/22	OP	093
-----	-------	-----	-----------	-----	--------	-------------	----	-----

Lab	TTh	5:00-6:50	501	01/13-05/22	OP
-----	-----	-----------	-----	-------------	----

ARTS 3A FIGURE AND COMPOSITION I 3.0 Units

Introduction to drawing the human figure from observation. Topics include an introduction to human anatomy and the historical and contemporary roles of figure drawing in the visual arts. Students in this course will learn both descriptive and interpretive approaches to drawing the figure.

Strongly Recommended: ARTS 2A with a minimum grade of C

Day	30708	TTh	9:00-9:50	501	WAGNER	01/13-05/22	OP	V01
-----	-------	-----	-----------	-----	--------	-------------	----	-----

Lab	TTh	10:00-11:50	501	01/13-05/22	OP
-----	-----	-------------	-----	-------------	----

ARTS 3B FIGURE AND COMPOSITION II 3.0 Units

Development of knowledge and skills introduced in Art 3A, with an emphasis on composition, color, and drawing the human figure from observation using a wide variety of drawing media and techniques. Topics include human anatomy and the historical and contemporary roles of figure drawing in the visual arts. Students in this course will learn both descriptive and interpretive approaches.

Prerequisite: ARTS 3A with a minimum grade of C

Strongly Recommended: ARTS 2A with a minimum grade of C

Day	30709	TTh	9:00-9:50	501	WAGNER	01/13-05/22	OP	V01
-----	-------	-----	-----------	-----	--------	-------------	----	-----

Lab	TTh	10:00-11:50	501	01/13-05/22	OP
-----	-----	-------------	-----	-------------	----

ARTS 3C FIGURE AND COMPOSITION III 3.0 Units

Advanced application of knowledge and skills introduced in Arts 3B, with emphasis on composition and drawing the human figure from observation using a wide variety of drawing media and techniques. Topics include human anatomy and the historical and contemporary roles of figure drawing in the visual arts. Students in this course will start to utilize personal approaches and media to drawing the figure.

Prerequisite: ARTS 3B with a minimum grade of C

Strongly Recommended: ARTS 2A with a minimum grade of C

D/E	CRN	DAYS	TIMES	ROOM	INSTRUCTOR	DATES	CODES	SEC	D/E	CRN	DAYS	TIMES	ROOM	INSTRUCTOR	DATES	CODES	SEC
-----	-----	------	-------	------	------------	-------	-------	-----	-----	-----	------	-------	------	------------	-------	-------	-----

Day	30710	TTh	9:00-9:50	501	WAGNER	01/13-05/22	OP	V01
Lab		TTh	10:00-11:50	501		01/13-05/22	OP	

ARTS 3D FIGURE AND COMPOSITION IV 3.0 Units

Advanced application of knowledge and skills introduced in Arts 3C with further development of personal style. Topics include human anatomy and the historical and contemporary roles of figure drawing in the visual arts. Students in this course will learn both descriptive and interpretive approaches to drawing the figure. Interpretive approaches to drawing the figure.

Prerequisite: ARTS 3C with a minimum grade of C

Strongly Recommended: ARTS 2A with a minimum grade of C

Day	30711	TTh	9:00-9:50	501	WAGNER	01/13-05/22	OP	V01
Lab		TTh	10:00-11:50	501		01/13-05/22	OP	

ARTS 7A INTRO TO WATERCOLOR PAINTING 3.0 Units

Introduction to principles, elements, and practices of watercolor painting. Focus on exploration of painting materials, perceptual skills and color theory, paint mixing and technique, as well as creative responses to materials and subject matter.

Strongly Recommended: ARTS 2A with a minimum grade of C

Day	30712	MW	2:00-2:50	501	STAFF	01/13-05/22	OP	V01
Lab		MW	3:00-4:50	501		01/13-05/22	OP	

ARTS 7B WATERCOLOR PAINTING 3.0 Units

Development of knowledge and skills introduced in Arts 7A with an emphasis on experimenting with the watercolor medium, perceptual skills and color theory, paint mixing and technique, as well as creative responses to materials and subject matter.

Prerequisite: ARTS 7A with a minimum grade of C

Strongly Recommended: ARTS 2A with a minimum grade of C

Day	30713	MW	2:00-2:50	501	STAFF	01/13-05/22	OP	V01
Lab		MW	3:00-4:50	501		01/13-05/22	OP	

ARTS 7C ADVANCE WATERCOLOR PAINTING I 3.0 Units

Development of knowledge and skills introduced in 7B directed towards individual needs with an emphasis on individual expression.

Prerequisite: ARTS 7B with a minimum grade of C

Strongly Recommended: ARTS 2A with a minimum grade of C

Day	30714	MW	2:00-2:50	501	STAFF	01/13-05/22	OP	V01
Lab		MW	3:00-4:50	501		01/13-05/22	OP	

ARTS 7D ADVANCE WATERCOLOR PAINTING II 3.0 Units

Advanced projects in watercolor painting with emphasis on demonstrating functional competence and an intellectual understanding of personal ideas. Further development of knowledge and skills introduced in 7C directed towards individualized needs.

Prerequisite: ARTS 7C with a minimum grade of C

Strongly Recommended: ARTS 2A with a minimum grade of C

Day	30715	MW	2:00-2:50	501	STAFF	01/13-05/22	OP	V01
Lab		MW	3:00-4:50	501		01/13-05/22	OP	

ARTS 12A OIL/ACRYLIC PAINTING: BEGIN I 3.0 Units

Introduction to painting using oil or acrylic paints. Students will apply the principles and elements of design, in addition to color theory, to their own paintings. Students will make studies from observation, study works by the masters, and learn to express their own ideas through painting.

Strongly Recommended: ARTS 2A with a minimum grade of C

Estimated cost of supplies: \$200-\$300

Day	30716	Fri	9:00-10:50	501	WAGNER	01/13-05/22	OP	V01
Lab		Fri	11:00-2:50	501		01/13-05/22	OP	

ARTS 12B OIL/ACRYLIC PAINTING: BEGIN II 3.0 Units

Second level course in painting using oil or acrylic paints. With the skills and knowledge gained in ARTS 12A, students will apply the principles and elements of design, in addition to color theory, to their own paintings. Students will make intermediate level studies from observation, study works by the masters, and learn to express their own ideas through painting.

Prerequisite: ARTS 12A with a minimum grade of C

Strongly Recommended: ARTS 2A with a minimum grade of C

Day	30717	Fri	9:00-10:50	501	WAGNER	01/13-05/22	OP	V01
Lab		Fri	11:00-2:50	501		01/13-05/22	OP	

ARTS 12C OIL/ACRYLIC PAINTING: ADV I 3.0 Units

Advanced projects in oil or acrylic painting with an emphasis on individual creative work and development of personal ideas and style.

Prerequisite: ARTS 12B with a minimum grade of C

Strongly Recommended: ARTS 2A with a minimum grade of C

Day	30718	Fri	9:00-10:50	501	WAGNER	01/13-05/22	OP	V01
Lab		Fri	11:00-2:50	501		01/13-05/22	OP	

ARTS 12D OIL/ACRYLIC PAINTING: ADV II 3.0 Units

Advanced projects in oil or acrylic painting with emphasis on developing ideas, skills, and knowledge. Students hone their painting through practice and critique; this course requires self-direction.

Prerequisite: ARTS 12C with a minimum grade of C

Strongly Recommended: ARTS 2A with a minimum grade of C

Day	30719	Fri	9:00-10:50	501	WAGNER	01/13-05/22	OP	V01
Lab		Fri	11:00-2:50	501		01/13-05/22	OP	

ARTS 23 2-D DESIGN 3.0 Units

Introduction to the concepts, applications, and historical references related to 2-dimensional art and composition. Topics include the basic principles and elements of design. In this course, students will develop their visual vocabulary for creative visual expression through lectures and problem solving studio projects. Students explore aspects of 2-D Design through visual art assignments.

Day	31163	MW	9:00-9:50	501	STAFF	01/13-05/22	OP	V01
		MW	10:00-11:50	501		01/13-05/22	OP	

ARTS 24 3-D DESIGN 3.0 Units

Introduction to the concepts, applications, and historical references related to 3-dimensional design and spatial composition, including the study of the elements and organizing principles of design as they apply to 3-dimensional space and form. Development of a visual vocabulary for creative expression through lecture presentations and use of appropriate materials for 3-dimensional studio projects.

Eve	32560	TTh	7:00-7:50	501	STAFF	01/13-05/22	OP	093
		TTh	8:00-9:50	501		01/13-05/22	OP	

ASTRONOMY

ASTR 10 THE SOLAR SYSTEM 3.0 Units

Introduction to history and physical principles of astronomy, focusing on our Solar System. Includes: constellations; distance scales; historical development of astronomy; gravitation; motion of the earth, moon and planets; astronomical tools; formation and evolution of the solar system; physical properties, atmosphere, and evolution of the earth, moon, and planets within the solar system; asteroids, comets, and other small bodies; discovery of extra-solar planets; possibilities for life beyond Earth. Designed for non-majors in mathematics or physical science. A companion science lab, Astronomy 30, is also available.

Day	30129	MW	2:00-3:15	1826	STAFF	01/13-05/22	OP	V01
Web	32496	ONLINE			HARPELL	01/13-05/22	OP	DEI

ASTR 10-DEI is an online course. For more information, see the section titled "Online Learning" in this schedule, or go to <http://www.laspositascollege.edu/onlinelearning>.

ASTR 20 STARS AND THE UNIVERSE 3.0 Units

Introduction to study of stars, galaxies, and cosmology. Includes the nature of light and matter, telescopes, spectroscopy, stellar formation and evolution, galaxies, quasars, and cosmology. Designed for non-majors in mathematics or a physical science. A companion science lab, Astronomy 30, is also available.

Eve	30726	TTh	5:30-6:45	1871	POWELL	01/13-05/22	OP	093
Web	32242	ONLINE			BERRYHILL	01/13-05/22	OP	DEI

ASTR 20-DEI is an online course. For more information, see the section titled "Online Learning" in this schedule, or go to <http://www.laspositascollege.edu/onlinelearning>.

ASTR 30L INTRODUCTION TO ASTRONOMY LAB 1.0 Units

Introduction to laboratory principles and techniques in astronomy. Includes: observational techniques such as naked eye, binocular, and telescopic identification of stars, planets, constellations, and deep sky objects; telescope operation and imaging; spectroscopy, motions of the sun, moon and planets.

Prerequisite: ASTR 10 or ASTR 20 with a minimum grade of C (May be taken concurrently)

Eve	32497	Lab Tue	7:00-9:50	1831	POWELL	01/13-05/22	OP	093
-----	-------	---------	-----------	------	--------	-------------	----	-----

qualifying, and rebuilding. Students are encouraged to enroll in Automotive Lab concurrently.

Prerequisite: AUTO INTR with a minimum grade of C (May be taken concurrently)

Day	33262	MW	8:00-9:15	817	JOHNSON	01/13-05/22	OP	V01
Lab		MW	9:30-10:45	809		01/13-05/22	OP	

AUTO A3 MANUAL DRIVE TRAIN AND AXLES 4.0 Units

An in-depth study of rear axle, front axle, and transfer cases: mechanical, measurement, and assembly. Including theory, teardown, qualifying, and rebuilding. Students are encouraged to enroll in Automotive Lab concurrently.

Prerequisite: AUTO INTR with a minimum grade of C (May be taken concurrently)

Day	33263	TTh	8:00-9:15	817	JOHNSON	01/13-05/22	OP	V01
Lab		TTh	9:30-10:45	809		01/13-05/22	OP	

AUTO SDR SPECIFIED DIAGNOSTIC & REPAIR 5.0 Units

This is a Bureau of Automotive Repair approved alternative to the ASE A6, A8 and L1 certification required for obtaining and maintaining smog technician license. This course will follow BAR guidelines for smog license prep. Student may or may not qualify for license exam after taking this class. For more information see www.smogcheck.ca.gov

Eve	33264	TTh	6:00-7:50	817	STAFF	01/13-05/22	OP	093
		TTh	8:00-9:15	809		01/13-05/22	OP	

AUTO INTR AUTO SERVICE & INTRODUCTION 4.0 Units

Bumper-to-Bumper Automotive Knowledge. Starting with hazardous waste handling, tool identification, maintenance and lubrication, moving into engine mechanical, emissions controls, suspension systems, air conditioning, airbags and safety, transmissions, axles, and finishing off with the future of the automotive industry. This is an introductory class for people who want to know more about their vehicle or who are planning an automotive career.

Eve	31883	Mon	6:00-7:50	817	HAGOPIAN	01/13-05/22	OP	093
		Lab Mon	8:00-9:50	809		01/13-05/22	OP	
		Lab Wed	6:00-9:50	809		01/13-05/22	OP	
Sat	32561	Sat	9:00-10:50	817	HAGOPIAN	01/13-05/22	OP	WEI
		Lab Sat	11:00-4:50	809		01/13-05/22	OP	

AUTO LABA AUTOMOTIVE LAB 2.0 Units

Automotive Lab is an open laboratory class for basic automotive students. This class is for students desiring to expand their hands-on experience using their own vehicle. Instructor will provide technical and supervisory support to guide students in completion of their self-initiated projects. Service information via computer service manuals will be available for students to use for vehicle information and research.

Prerequisite: AUTO INTR with a minimum grade of C (May be taken concurrently)

Day	32563	Lab MW	1:00-3:50	809	JOHNSON	01/13-05/22	OP	V01
-----	-------	--------	-----------	-----	---------	-------------	----	-----

AUTO LABB AUTOMOTIVE LAB ADVANCED 2.0 Units

Automotive Lab Advanced is an open laboratory class for advanced automotive students. This class is for students desiring to expand their hands-on experience using their own vehicle. Instructor will provide technical and supervisory support to guide students in completion of their self-initiated projects. Students are expected to help others in class and be able to work without

AUTOMOTIVE TECHNOLOGY

AUTO A1 ENGINE REPAIR 4.0 Units

An in depth study of engines: mechanical, measurement, and assembly. A study of the above mentioned components including theory, teardown, evaluate, qualifying, and rebuilding. This class' emphasis is on engines. Students are encouraged to enroll in Automotive Lab concurrently.

Prerequisite: AUTO INTR with a minimum grade of C (May be taken concurrently)

Day	33261	TTh	1:00-1:50	817	JOHNSON	01/13-05/22	OP	V01
		Lab TTh	2:00-4:50	809		01/13-05/22	OP	

AUTO A2 AUTO TRANSMISSION/TRANSAXLE 4.0 Units

An in depth study of engine, transmission, transaxles: mechanical, measurement, and assembly. An in-depth study of the above mentioned components including theory, teardown, evaluate,

D/E	CRN	DAYS	TIMES	ROOM	INSTRUCTOR	DATES	CODES	SEC	D/E	CRN	DAYS	TIMES	ROOM	INSTRUCTOR	DATES	CODES	SEC
-----	-----	------	-------	------	------------	-------	-------	-----	-----	-----	------	-------	------	------------	-------	-------	-----

guidance. Service information via computer service manuals will be available for students to use for vehicle information and research. Class is recommended for second year students only.

Prerequisite: AUTO INTR and AUTO LABA with a minimum grade of C

Day	32562	Lab MW	1:00-3:50	809	JOHNSON	01/13-05/22	OP	V01
-----	-------	--------	-----------	-----	---------	-------------	----	-----

BIOLOGICAL SCIENCES

BIO 1A GENERAL BOTANY 5.0 Units

Diversity, structure and function of plant, fungal, and protistan phyla. Topics include development, morphology, physiology and systematics. Principles of population and community ecology and ecosystem interactions. (Note: Formerly BOTN 1.)

Prerequisite: MATH 55 or 55B

Strongly Recommended: BIO 30

Day	31656	MW	11:30-12:45	1873	SHULDMAN	01/13-05/22	GR	V01
		Lab TTh	10:30-1:20	1855		01/13-05/22	GR	
Day	31657	TTh	2:30-3:45	1873	NAKASE	01/13-05/22	GR	V02
		Lab MW	11:15-2:05	1855		01/13-05/22	GR	

BIO 1B GENERAL ZOOLOGY 5.0 Units

Major groups of animal phyla and heterotrophic unicellular eukaryotes. Topics include comparative structure and function, development, ecology, taxonomy, phylogeny, evolution, and behavior. Designed for majors in biological sciences and related fields. (Note: Formerly ZOO 1.)

Prerequisite: Math 55 or 55B with a minimum grade of C or an appropriate skill level demonstrated through the mathematics assessment process

Strongly Recommended: BIO 30 with a minimum grade of C

Day	33558	MW	11:30-12:45	1872	ERNST	01/13-05/22	GR	V01
		Lab TTh	10:30-1:20	1851		01/13-05/22	GR	
Day	31621	MW	1:00-2:15	1872	BOAZ	01/13-05/22	GR	V02
		Lab TTh	2:00-4:50	1851		01/13-05/22	GR	
Eve	31658	MW	5:00-6:15	1872	JUDD	01/13-05/22	GR	093
		Lab MW	6:30-9:20	1851		01/13-05/22	GR	

BIO 1C CELL AND MOLECULAR BIOLOGY 5.0 Units

Principles of cell and molecular biology. Includes biochemistry, cell structure and function, cell homeostasis, cell metabolism, cell reproduction, cell communication, genetics, molecular biology, biotechnology, and evolution. Emphasis on scientific inquiry and experimental design. (Note: Formerly BIOL 1.)

Prerequisite: BIO 1A or BIO 1B, MATH 55 and CHEM 1A with a minimum grade of C, Eligibility for ENG 1A

Day	31597	TTh	9:00-10:15	1814	ERNST	01/13-05/22	GR	V01
		Lab WF	8:00-10:50	1854		01/13-05/22	GR	
Eve	33509	TTh	5:00-6:15	1051	FITZGERALD	01/13-05/22	GR	093
		Lab TTh	6:30-9:20	1854		01/13-05/22	GR	

BIO 7A HUMAN ANATOMY 5.0 Units

Structural organization of the human body: gross and microscopic structure of the integumentary, skeletal, muscular, nervous, sensory, endocrine, cardiovascular, lymphatic, respiratory, digestive, excretory, and reproductive systems, from cellular to organ system levels of organization. This course is primarily intended for nursing, allied health, kinesiology, and other health related majors.

Prerequisite: BIO 30 with a minimum grade of C

Strongly Recommended: Eligibility for ENG 1A

Day	31594	MW	8:00-9:15	1858	HIGHT	01/13-05/22	GR	V01
		Lab MW	9:30-12:20	1858		01/13-05/22	GR	
Day	31595	TTh	9:00-10:15	1858	LAL	01/13-05/22	GR	V02
		Lab TTh	10:30-1:20	1858		01/13-05/22	GR	
Day	32977	MW	12:45-2:00	1858	ZERMENO	01/13-05/22	GR	V03
		Lab MW	2:10-5:00	1858		01/13-05/22	GR	
Day	33510	TTh	1:45-3:00	1858	AGOSTINI	01/13-05/22	GR	V04
		Lab TTh	3:15-6:05	1858		01/13-05/22	GR	
Eve	31596	MW	5:30-6:45	1858	AZEVEDO	01/13-05/22	GR	093
		Lab MW	7:00-9:50	1858		01/13-05/22	GR	

BIO 7B HUMAN PHYSIOLOGY 5.0 Units

Function and regulation of the human body. This course examines general, cellular, and molecular interactions that integrate the organ systems to maintain homeostasis. Human responses and computer simulations are used to collect and analyze data. Designed for nursing, physical and occupational therapy, and other health sciences majors.

Prerequisite: BIO 7A and CHEM 1A or CHEM 30A or CHEM 31 with a minimum grade of C

Strongly Recommended: CHEM 30B with a minimum grade of C and Eligibility for ENG 1A

Day	31619	MW	8:00-9:15	1816	WATERS	01/13-05/22	GR	V01
		Lab MW	9:30-12:20	1810		01/13-05/22	GR	
Day	31620	TTh	9:00-10:15	1859	HIGHT	01/13-05/22	GR	V02
		Lab TTh	10:30-1:20	1810		01/13-05/22	GR	
Day	32238	MW	12:45-2:00	1859	YANCEY	01/13-05/22	GR	V03
		Lab MW	2:10-5:00	1810		01/13-05/22	GR	
Day	33511	TTh	1:45-3:00	101	KATZ	01/13-05/22	GR	V04
		Lab TTh	3:15-6:05	1810		01/13-05/22	GR	
Eve	31659	MW	5:15-6:30	1051	SMITH	01/13-05/22	GR	093
		Lab MW	6:45-9:35	1810		01/13-05/22	GR	

BIO 7C MICROBIOLOGY 5.0 Units

This course focuses on viruses, bacteria, fungi, protozoans, and helminths, with an emphasis on their relationship to humans. Cultivation, control, metabolism, body's defense against disease, microbial genetics, laboratory tests, and contemporary diseases are discussed. Methods used in the laboratory include standard bacteriological techniques (culturing, staining, biochemical testing, sensitivity testing etc.) as well as some molecular and immunological techniques, such as PCR and ELISA. Laboratory work also includes identification of unknowns, and/or independent research projects.

Prerequisite: BIO 30, CHEM 30A or CHEM 1A with a minimum grade of C

Strongly Recommended: BIO 7A with a minimum grade of C, ENG 1A with a minimum grade of C

Day	31617	TTh	9:00-10:15	1854	ZINGG	01/13-05/22	GR	V01
		Lab TTh	10:30-1:20	1854		01/13-05/22	GR	
Day	31618	TTh	12:15-1:30	1814	DOLAN	01/13-05/22	GR	V02
		Lab TTh	1:45-4:35	1854		01/13-05/22	GR	
Eve	32761	MW	5:15-6:30	1854	ZINGG	01/13-05/22	GR	093
		Lab MW	6:45-9:35	1854		01/13-05/22	GR	

BIO 10 INTRO TO THE SCIENCE OF BIOL 4.0 Units

This course focuses on basic principles of biology, including scientific investigation and the study of the nature of living things. Focus is on student understanding of evolution and the

D/E	CRN	DAYS	TIMES	ROOM	INSTRUCTOR	DATES	CODES	SEC	D/E	CRN	DAYS	TIMES	ROOM	INSTRUCTOR	DATES	CODES	SEC
-----	-----	------	-------	------	------------	-------	-------	-----	-----	-----	------	-------	------	------------	-------	-------	-----

unity and diversity of life from the molecular level to ecosystems and biosphere. Designed for non-majors in biology and biomedical sciences.

Day	31598	TTh	12:30-1:45	1872	KERR	01/13-05/22	OP	V01
	Lab	Tue	2:00-4:50	1855		01/13-05/22	OP	
Day	31599	TTh	12:30-1:45	1872	KERR	01/13-05/22	OP	V02
	Lab	Th	2:00-4:50	1855		01/13-05/22	OP	
Eve	31600	TTh	5:00-6:15	1872	RIENSCHKE	01/13-05/22	OP	093
	Lab	Tue	6:30-9:20	1855		01/13-05/22	OP	
Eve	31601	TTh	5:00-6:15	1872	RIENSCHKE	01/13-05/22	OP	094
	Lab	Th	6:30-9:20	1855		01/13-05/22	OP	

BIO 20 CONTEMPORARY HUMAN BIOLOGY 3.0 Units

A study of the Human organism, beginning at the cellular level, emphasizing organ systems, and also including topics of genetics and biotechnology. (Note: Formerly BIOL 20.)

Day	33559	MW	11:00-12:15	2480	CHOVNIK	01/13-05/22	GR	V01
Web	32673	ONLINE			CHOVNIK	03/16-05/15	GR	LO1

BIO 20-LO1 is a Fast Track online course that meets from Mar 16-May 15. For more information, see the section titled "Online Learning" in this schedule, or go to <http://www.laspositascollege.edu/onlinelearning>.

BIO 30 INTRO TO COLLEGE BIOLOGY 4.0 Units

Basic principles of biology. Cell structure and function, cell division, cell metabolism, reproduction, genetics, taxonomy, origin of life, and evolution. Laboratory emphasis on developing various laboratory skills, using the metric system, collecting data, graphing, interpreting data, and preparing for and taking laboratory exams. Designed to prepare the necessary concepts and laboratory skills and experience that are needed to succeed in more advanced courses in biology. (Note: Formerly BIOL 31.)

Strongly Recommended: MATH 110 or MATH 110B and Eligibility for ENG 1A

Day	31603	TTh	11:00-12:15	1873	NAKASE	01/13-05/22	GR	V01
	Lab	Fri	8:00-10:50	1851		01/13-05/22	GR	
Day	31604	TTh	11:00-12:15	1873	NAKASE	01/13-05/22	GR	V02
	Lab	Fri	11:30-2:20	1851		01/13-05/22	GR	
Day	31605	MW	9:30-10:45	1873	PETERSEN	01/13-05/22	GR	V03
	Lab	Mon	11:30-2:20	1851		01/13-05/22	GR	
Day	31606	MW	9:30-10:45	1873	PETERSEN	01/13-05/22	GR	V04
	Lab	Wed	11:30-2:20	1851		01/13-05/22	GR	
Day	31607	MW	1:00-2:15	1873	WILSON	01/13-05/22	GR	V05
	Lab	Mon	2:45-5:35	1851		01/13-05/22	GR	
Day	31608	MW	1:00-2:15	1873	WILSON	01/13-05/22	GR	V06
	Lab	Wed	2:45-5:35	1851		01/13-05/22	GR	
Day	31609	TTh	9:30-10:45	1873	BOAZ	01/13-05/22	GR	V07
	Lab	Mon	8:30-11:20	1851		01/13-05/22	GR	
Day	31610	TTh	9:30-10:45	1873	BOAZ	01/13-05/22	GR	V08
	Lab	Wed	8:30-11:20	1851		01/13-05/22	GR	
Day	31611	TTh	12:30-1:45	1873	FICHMANN	01/13-05/22	GR	V09
	Lab	Fri	9:00-11:50	1855		01/13-05/22	GR	
Day	31612	TTh	12:30-1:45	1873	FICHMANN	01/13-05/22	GR	V10
	Lab	Fri	12:30-3:20	1855		01/13-05/22	GR	
Eve	31613	TTh	5:30-6:45	1873	PETERSON	01/13-05/22	GR	093
	Lab	Tue	7:00-9:50	1851		01/13-05/22	GR	
Eve	31614	TTh	5:30-6:45	1873	PETERSON	01/13-05/22	GR	094
	Lab	Th	7:00-9:50	1851		01/13-05/22	GR	

BIO 40 HUMANS AND THE ENVIRONMENT 3.0 Units

Introduction to environmental issues from a scientific perspective, focusing on physical, chemical, and biological processes within the Earth system, the interaction between humans and these processes, and the role of science in finding sustainable solutions. Topics include ecological principles, biodiversity, climate change, sustainability, renewable and non-renewable energy, water resources, air and water pollution, and solid waste management.

Strongly Recommended: Eligibility for ENG 1A

Web	31661	ONLINE			CHOVNIK	01/13-05/22	OP	DEI
-----	-------	--------	--	--	---------	-------------	----	-----

BIO 40-DEI is an online course. For more information, see the section titled "Online Learning" in this schedule, or go to <http://www.laspositascollege.edu/onlinelearning>.

BIO 50 ANATOMY AND PHYSIOLOGY 4.0 Units

Structure and function of the human body is studied. Emphasis on human anatomy and physiological principles at the cellular and systemic level. Designed primarily for majors in paramedic and medical assisting programs and pre-medical students who wish to explore the realm of anatomy and physiology.

Day	31615	TTh	9:30-10:45	1872	PASAOGLU	01/13-05/22	GR	V01
	Lab	Fri	9:00-11:50	1858		01/13-05/22	GR	
Day	31662	MW	9:30-10:45	1872	ROGHANI	01/13-05/22	GR	V02
	Lab	Fri	12:30-3:20	1858		01/13-05/22	GR	
Eve	31616	TTh	5:30-6:45	101	SMILEY	01/13-05/22	GR	093
	Lab	Th	7:00-9:50	1858		01/13-05/22	GR	

BIO 70 FIELD BIOLOGY 3.0 Units

A hands-on course in field biology for non-science majors. Students will learn basic concepts about ecology and environmental science through outdoor activities and exploration of a variety of ecosystems. The goals are to gain experience and develop skills in the following areas: identification of plants and animals, first-hand knowledge of a wide array of organism life histories, quantitative field research techniques and procedures applicable to plants and animals, and methods of recording data and procedures applicable to plants and animals, and methods of recording data and observations. Required field trips to local and regional habitats focus on seasonally relevant events, processes, and appropriate methodologies to study these communities.

Day	33265	Fri	11:15-12:55	1810	ERNST/SHULD	01/13-05/22	GR	V01
	Lab	Fri	1:00-3:50	1810		01/13-05/22	GR	

BIO 70 is a field course with required instructional trips. There will be weekly field trips during laboratory time. There will be trips on the following Saturdays: 3/14 and 5/2. Students will be required to drive to field trips using their own vehicles or by carpooling. Students are responsible for any costs associated with gas, parking or entrance fees. Students should be prepared for inclement weather with rain gear.

BUSINESS

BUSN 1A FINANCIAL ACCOUNTING 4.0 Units

A study of accounting as an information system; examining why it's important, and how it's used by investors and creditors to make decisions. Includes the recording and reporting of business transactions with a focus on the accounting cycle, the application of generally accepted accounting principles and comparing it to international financial reporting standards, preparation and analysis of the classified financial statements

D/E	CRN	DAYS	TIMES	ROOM	INSTRUCTOR	DATES	CODES	SEC	D/E	CRN	DAYS	TIMES	ROOM	INSTRUCTOR	DATES	CODES	SEC
-----	-----	------	-------	------	------------	-------	-------	-----	-----	-----	------	-------	------	------------	-------	-------	-----

for merchandising and service companies. Also includes issues related to recording and valuation of assets, liabilities, equities and cashflow, recognition of revenues, expenses using effective internal controls and ethical standards. (Formerly Principles of Accounting 1A).

Internet access is required for all BUSN 1A sections.

Day	30227	TTh	10:00-11:50	1011	BELL	01/13-05/22	GR	V01
Lab		Tue	12:00-12:50	1011		01/13-05/22	GR	
Day	30576	TTh	2:00-3:50	1057	CHOPRA	01/13-05/22	GR	V02
Lab		Tue	4:00-4:50	1057		01/13-05/22	GR	
Day	31635	MW	9:00-10:50	1060	CHOPRA	01/13-05/22	GR	V03
Lab		Mon	11:00-11:50	1060		01/13-05/22	GR	
Eve	31039	MW	5:00-6:50	2205	AMANCHARLA	01/13-05/22	GR	093
Lab		Wed	7:00-7:50	2205		01/13-05/22	GR	

Web 31348 ONLINE YAP 01/13-05/22 GR DEI
 BUSN 1A-DEI is an online course. For more information, see the section titled "Online Learning" in this schedule, or go to <http://www.laspositascollege.edu/onlinelearning>.

BUSN 1B MANAGERIAL ACCOUNTING 4.0 Units

A study of the use and reporting of accounting data for managerial planning, cost control, and decision making purposes. Includes broad coverage of concepts, structures, classifications, and behaviors of costs. Topics include; cost systems, job costing, process costing, activity based costing, relationship between cost, volume and profitability, relevant range, standard costing, profit planning and budgeting, static and flexible budgeting, responsibility accounting and segment reporting, absorption and variable costing and capital expenditure decisions. (Formerly Principles of Accounting 1B).

Prerequisite: BUSN 1A with a minimum grade of C

Internet access is required for all BUSN 1B sections.

Day	30484	MW	12:30-2:20	1057	CHOPRA	01/13-05/22	GR	V01
Lab		Mon	2:30-3:20	1057		01/13-05/22	GR	
Eve	30228	MW	5:00-6:50	1057	BELL	01/13-05/22	GR	093
Lab		Mon	7:00-7:50	1057		01/13-05/22	GR	

Web 31636 ONLINE CHOPRA 01/13-05/22 GR DEI
 BUSN 1B-DEI is an online course. For more information, see the section titled "Online Learning" in this schedule, or go to <http://www.laspositascollege.edu/onlinelearning>.

BUSN 18 BUSINESS LAW 4.0 Units

A study of the legal environment of business. Covering laws and regulations impacting business transactions. Introduction to the legal process. Topics include sources of legal concepts and ethics, torts, contracts, UCC, warranties, product liability, consumer financial transactions, environmental, competition, agency, employment and labor, business organizations, and judicial and administrative processes.

Strongly Recommended: BUSN 40 and ENG 1A with a minimum grade of C

Internet access is required for all BUSN 18 sections.

Day	30475	MW	9:00-10:50	1059	COLEMAN	01/13-05/22	GR	V01
Day	32589	TTh	11:00-12:50	1012	COLEMAN	01/13-05/22	GR	V02
Eve	31040	Tue	6:00-9:50	2450	AYOTTE	01/13-05/22	GR	093

Web 30360 ONLINE COLEMAN 01/13-05/22 GR DEI
 BUSN 18-DEI is an online course. For more information, see the section titled "Online Learning" in this schedule, or go to <http://www.laspositascollege.edu/onlinelearning>.

BUSN 30 BUSINESS ETHICS AND SOCIETY 3.0 Units

A survey of the past and current behavior of business in American society. Examines the ethical, political and social issues confronting organizations and the organizations' responsibilities and obligations in responding to them. Discusses the responsibility of business toward customers, employees, stockholders, competitors, suppliers, government and the community at large.

Strongly Recommended: BUSN 40 with a minimum grade of C and Eligibility for ENG 1A

Day	33473	Mon	12:00-2:20	1058	COLEMAN	01/13-03/13	GR	HDI
			ONLINE/HYBRID			01/13-03/13	GR	

BUSN 30-HDI is an 8-week Fast Track hybrid course that meets from Jan 13-Mar 13. This course will meet one day a week on Monday. Students will complete 4.5 hrs per week work online. For more information, see the section titled "Online Learning" in this schedule, or go to <http://www.laspositascollege.edu/onlinelearning>. The McGraw-Hill Connect code is required.

Web 31637 ONLINE STEIN 01/13-05/22 GR DEI
 BUSN 30-DEI is an online course. For more information, see the section titled "Online Learning" in this schedule, or go to <http://www.laspositascollege.edu/onlinelearning>.

BUSN 33 PERSONAL FINANCIAL MANAGEMENT 3.0 Units

Designed to provide students with the practical, hands-on means of successfully managing their personal finances and of becoming financially empowered upon course completion. Among other topics, the course will cover the basics of credit management, assessing insurance needs, budgeting, personal financial statement preparation, investment and savings accounts, management of taxes, retirement accounts, will preparation and estate planning.

Day	32759	MW	12:30-1:45	2450	BELL	01/13-05/22	GR	V01
-----	-------	----	------------	------	------	-------------	----	-----

BUSN 40 INTRODUCTION TO BUSINESS 3.0 Units

A multidisciplinary examination and introduction to business operations within the U.S. and internationally. Provides an overview of global economic systems, business formations, business ethics and laws, general accounting practices and financing, facility location and layout, production, organizational structures and management functions. Fundamentals of risk management, marketing, human resources, and employee motivation are covered. Demonstrates how culture, society, and external business environments impact a business' ability to achieve its organizational goals.

Strongly Recommended: ENG 1A

Internet access is required for all sections of BUSN 40.

The McGraw-Hill Connect code is required.

Day	30230	MW	11:00-12:15	2420	PATTERSON	01/13-05/22	OP	V01
Day	31041	Wed	4:00-6:50	*	AYOTTE	01/13-05/22	OP	V02

**offsite room meets at DUBLIN HIGH SCHOOL
 815 VILLAGE PARKWAY, DUBLIN, CA*

Day	31638	TTh	2:30-3:45	1641	COLEMAN	01/13-05/22	OP	V03
Day	32591	TTh	9:30-10:45	1057	PATTERSON	01/13-05/22	OP	V04
Eve	30308	Wed	7:00-9:50	2460	LEDERER	01/13-05/22	OP	093

Web 30229 ONLINE LANZA 01/13-05/22 OP DEI
 BUSN 40-DEI is an online course. For more information, see the section titled "Online Learning" in this schedule, or go to <http://www.laspositascollege.edu/onlinelearning>. The McGraw-Hill Connect code is required.

Web 31430 ONLINE LANZA 03/16-05/15 OP LO1
 BUSN 40-LO1 is a Fast Track online course that meets from Mar 16-May 15.

D/E	CRN	DAYS	TIMES	ROOM	INSTRUCTOR	DATES	CODES	SEC	D/E	CRN	DAYS	TIMES	ROOM	INSTRUCTOR	DATES	CODES	SEC
-----	-----	------	-------	------	------------	-------	-------	-----	-----	-----	------	-------	------	------------	-------	-------	-----

For more information, see the section titled "Online Learning" in this schedule, or go to <http://www.laspositascollege.edu/onlinelearning>. The McGraw-Hill Connect code is required.

BUSN 48 HUMAN RELATIONS IN ORG. 3.0 Units

An introduction to the interpersonal skills needed in today's workplace with a focus on effective communication, decision making, cross cultural relations, diversity, resolving conflict, managing change, group dynamics, and ethical behavior.

Web 30574 ONLINE STEIN 01/13-05/22 OP DEI

BUSN 48-DEI is an online course. For more information, see the section titled "Online Learning" in this schedule, or go to <http://www.laspositascollege.edu/onlinelearning>.

BUSN 52 BUSINESS COMMUNICATIONS 3.0 Units

Study of communication functions, choices, and roles for professionals that help remove barriers. Practice in using verbal, nonverbal and writing skills to communicate one-on-one, in groups and electronically. Cross-cultural communications, face-to-face and online meetings management, delegating work assignments, planning, problem solving, conferences, employee counseling and making oral presentations.

Strongly Recommended: ENG 1A with a minimum grade of C

Web 31988 ONLINE LAUFFER 01/13-05/22 OP DEI

BUSN 52-DEI is an online course. For more information, see the section titled "Online Learning" in this schedule, or go to <http://www.laspositascollege.edu/onlinelearning>.

BUSN 53 BUSINESS CORRESPONDENCE 3.0 Units

Development of skills for composing general business correspondence to a variety of audiences including multiple levels within an organization and cross cultural communications. Crafting messages, including e-mail, administrative communications, technical reports, meeting agendas, and meeting minutes. Determining the appropriate media for the communication, correct writing style, and level of terminology within the message. Emphasis on appropriate English grammar, spelling, online netiquette, and cross-cultural communications.

Strongly Recommended: ENG 1A

Web 31160 ONLINE DENYER 01/13-05/22 OP DEI

BUSN 53-DEI is an online course. For more information, see the section titled "Online Learning" in this schedule, or go to <http://www.laspositascollege.edu/onlinelearning>.

BUSN 55 BUSINESS MATHEMATICS 3.0 Units

Mathematics to solve typical business problems including simple interest, compound interest, installment sales, trade and cash discounts, mark on percents, pricing, discounting notes and drafts, depreciation, taxes, insurance, statistics, stocks and bonds, and distribution of ownership and profits.

Strongly Recommended: BUSN 105A and BUSN 105B or BUSN 107

Web 32093 ONLINE AYOTTE 01/13-05/22 OP DEI

BUSN 55-DEI is an online course. For more information, see the section titled "Online Learning" in this schedule, or go to <http://www.laspositascollege.edu/onlinelearning>.

BUSN 56 INTRODUCTION TO MANAGEMENT 3.0 Units

Introduction to the application of tools, principles and concepts in business management. Emphasis will be on planning, organizing, leading, and controlling. Additional topics will include decision-making, employee motivation, teamwork, and current trends.

Strongly Recommended: Eligibility for ENG 1A

Web 30571 ONLINE JUREVICH 01/13-05/22 OP DEI
BUSN 56-DEI is an online course. For more information, see the section titled "Online Learning" in this schedule, or go to <http://www.laspositascollege.edu/onlinelearning>.

BUSN 58 SMALL BUSINESS MANAGEMENT 3.0 Units

Fundamentals of starting, operating and growing a successful small business enterprise. Emphasis on all endeavors: self-employment; freelancing; brick and mortar, pop-up and Internet retailing; technical and professional services; and franchising. Focus on achieving optimum benefits from limited resources; financing strategies; marketing options; legal, ethical, and regulatory issues encountered by all start-ups.

Strongly Recommended: BUSN 1A or BUSN 51 with a minimum grade of C

Web 31893 ONLINE PATTERSON 01/13-05/22 OP DEI

BUSN 58-DEI is an online course. For more information, see the section titled "Online Learning" in this schedule, or go to <http://www.laspositascollege.edu/onlinelearning>.

BUSN 61 QUICKBOOKS ACCOUNTING 1.5 Units

Introduction to the use of QuickBooks accounting software to process transactions related to a service and merchandise company. Specific topics include using company files, sales and receivables, payables and purchases bank and credit card reconciliations end of period transactions and payroll. Transactions include journalizing, adjusting entries, closing entries, bank reconciliation and preparing financial statements.

Strongly Recommended: BUSN 1A or BUSN 51 with a minimum grade of C

Web 30598 ONLINE BELL 01/13-05/22 OP DEI

BUSN 61-DEI is an online course. For more information see the section titled "Online Learning" in this schedule, or go to <http://www.laspositascollege.edu/onlinelearning>.

BUSN 65 FEDERAL INCOME TAX ACCOUNTING 3.0 Units

A study and analysis of the principles of federal income tax applied to employees, self-employed individuals and rental income. Includes an overview of taxes related to partnerships, informational returns and corporate tax returns. Analysis of the Internal Revenue Code with examination of court rulings and regulations. Review of new legislation that alters existing tax law. Introduction to tax preparation software is included.

Internet access is required for BUSN 65-093.

Eve	32170	Tue	7:00-9:50	2490	RODRIGUES	01/13-05/22	OP	093
-----	-------	-----	-----------	------	-----------	-------------	----	-----

BUSN 87 ORGANIZATIONAL MGT LEADERSHIP 3.0 Units

This course examines the special case of detailed planning and implementation of management decisions in strategic business units. Attention is focused on three areas: developing action plans and implementation strategies, developing awareness of the contingencies to be considered in taking strategic actions, and investigating how different academic disciplines interpret the leadership phenomenon. This course highlights key criteria used in assessing the viability of an organizational action plan, and the role of leadership in managing constructive change processes.

Strongly Recommended: BUSN 40 with a minimum grade of C

Day	33512	Mon	12:00-2:20	1058	COLEMAN	03/16-05/15	OP	LDI
					ONLINE/HYBRID	03/16-05/15	OP	

BUSN 30-LDI is 8-week Fast Track Hybrid course that meets from Mar 16-May 15. This course will meet one day a week on Monday. Students will complete 4.5 hrs per week work online. For more information, see the section

D/E	CRN	DAYS	TIMES	ROOM	INSTRUCTOR	DATES	CODES	SEC	D/E	CRN	DAYS	TIMES	ROOM	INSTRUCTOR	DATES	CODES	SEC
-----	-----	------	-------	------	------------	-------	-------	-----	-----	-----	------	-------	------	------------	-------	-------	-----

titled "Online Learning" in this schedule, or go to <http://www.laspositascollege.edu/onlinelearning>. The McGraw-Hill Connect code is required.

BUSN 88 HUMAN RESOURCES MANAGEMENT 3.0 Units

Introduction to the field of human resources with an emphasis on understanding the impact decisions and activities involving employees have on an organization's overall success. Focus on best practices in recruitment and selection, performance management, compensation and benefits, employee relations, workplace health and safety, and risk management strategies.

Strongly Recommended: BUSN 56 with a minimum grade of C

Web 30597 ONLINE JUREVICH 01/13-05/22 OP DEI

BUSN 88-DEI is an online course. For more information, see the section titled "Online Learning" in this schedule, or go to <http://www.laspositascollege.edu/onlinelearning>.

CHEMISTRY

CHEM 1A GENERAL COLLEGE CHEMISTRY I 5.0 Units

Introduction to atomic structure, bonding, stoichiometry, thermochemistry, gases, matter and energy, oxidation-reduction, chemical equations, liquids and solids, solutions, chemical energetics and equilibrium. Laboratory includes both quantitative and qualitative experiments.

Prerequisites: Mathematics 55 or 55B and Chemistry 31 (all courses completed with a grade of "C" or higher). The Chemistry 31 prerequisite can be fulfilled by demonstrating the appropriate skill level in the Chemistry Placement Process.

Day	30084	TTh	9:00-10:15	1816	JENSEN	01/13-05/22	GR	V01
	Lab	MW	8:00-10:50	1802		01/13-05/22	GR	
Day	30355	TTh	11:00-12:15	1872	SYMMANK	01/13-05/22	GR	V02
	Lab	MW	11:30-2:20	1802		01/13-05/22	GR	
Eve	31663	Lab MW	6:30-9:20	1802	CHUMA	01/13-05/22	GR	093
		MW	5:00-6:15	1816		01/13-05/22	GR	

CHEM 1B GENERAL COLLEGE CHEMISTRY II 5.0 Units

Continuation of Chemistry 1A. Includes chemical energetics and equilibria, solutions and ionic equilibria, acid-base chemistry, electrochemistry, coordination chemistry, kinetics, nuclear chemistry, organic chemistry, and the chemistry of family groups of the periodic table. Laboratory emphasizes quantitative techniques, including instrumentation, and qualitative analysis.

Prerequisite: Chemistry 1A (completed with a grade of "C" or higher).

Day	31461	MW	8:00-9:15	1871	BRENNAN	01/13-05/22	GR	V01
	Lab	TTh	8:00-10:50	1802		01/13-05/22	GR	
Day	30085	MW	1:00-2:15	1871	DUDZIK	01/13-05/22	GR	V02
	Lab	TTh	1:30-4:20	1802		01/13-05/22	GR	
Eve	31892	TTh	5:30-6:45	1816	UNGERMANN	01/13-05/22	GR	093
	Lab	TTh	7:00-9:50	1802		01/13-05/22	GR	

CHEM 12B ORGANIC CHEMISTRY II 5.0 Units

Continuation of Chemistry 12A with an introduction to the chemistry of aromatics, amines, carbanions, carboxylic acids, carboxylic acid derivatives, aldehydes, ketones and biochemical topics focusing on structure, synthesis, and mechanisms of reaction. Laboratory work in basic techniques, synthetic methods, and qualitative spectroscopic and chromatographic analysis techniques. Designed for students whose interests require a full year in-depth study of organic chemistry.

Prerequisite: Chemistry 12A (completed with a grade of "C" or higher).

Day	32064	TTh	8:00-9:15	1873	ANSELL	01/13-05/22	GR	V01
	Lab	WF	8:00-10:50	1805		01/13-05/22	GR	
Day	30152	MW	1:00-2:15	1060	ANSELL	01/13-05/22	GR	V02
	Lab	TTh	1:30-4:20	1805		01/13-05/22	GR	
Eve	31046	MW	4:30-5:45	1874	HADEI	01/13-05/22	GR	093
	Lab	MW	6:00-8:50	1805		01/13-05/22	GR	

CHEM 30A INTRO AND APPLIED CHEMISTRY I 4.0 Units

Chemistry of inorganic compounds, atomic theory, bonding, equations, gas laws, solutions, acid-base theory and oxidation-reduction. Designed to meet the requirements of certain programs in allied health and technological fields and for general education.

Chabot Prerequisite: MTH 65, MTH 65B or, MTH 65L or, MTH 53 or, MTH 53B (completed with a grade of "C" or higher)

LPC Prerequisite: MATH 110 or MATH 110B with a minimum grade of C

Day	30356	MW	8:00-9:15	1814	DUDZIK	01/13-05/22	GR	V01
	Lab	Th	8:00-10:50	1805		01/13-05/22	GR	
Day	30316	MW	8:00-9:15	1814	DUDZIK	01/13-05/22	GR	V02
	Lab	Fri	8:30-11:20	1807		01/13-05/22	GR	
Eve	30086	TTh	5:30-6:45	2460	STAFF	01/13-05/22	GR	093
	Lab	Th	7:00-9:50	1807		01/13-05/22	GR	

CHEM 30B INTRO AND APPLIED CHEMISTRY II 4.0 Units

Continuation of Chemistry 30A with emphasis on organic and biochemical concepts related to human physiological systems.

Prerequisite: Chemistry 30A (completed with a grade of "C" or higher).

Eve	31047	TTh	5:30-6:45	1871	GLUCHOWSKI	01/13-05/22	GR	093
	Lab	Th	7:00-9:50	1805		01/13-05/22	GR	

CHEM 31 INTRO TO COLLEGE CHEMISTRY 4.0 Units

Elementary concepts of chemistry with emphasis on mathematical calculations; includes nomenclature, stoichiometry, atomic structure, gas laws, and acids and bases. Designed for majors in science and engineering.

Prerequisite: Math 55 or 55B (completed with a grade of "C" or higher).

Day	30178	MW	11:30-12:45	1816	JENSEN	01/13-05/22	OP	V01
	Lab	Tue	1:30-4:20	1807		01/13-05/22	OP	
Day	30263	MW	11:30-12:45	1816	JENSEN	01/13-05/22	OP	V02
	Lab	Th	1:30-4:20	1807		01/13-05/22	OP	
Day	32980	TTh	8:30-9:45	1871	TOBWALA	01/13-05/22	OP	V03
	Lab	Tue	10:00-12:50	1807		01/13-05/22	OP	
Day	32981	TTh	8:30-9:45	1871	TOBWALA	01/13-05/22	OP	V04
	Lab	Th	10:00-12:50	1807		01/13-05/22	OP	
Eve	31158	MW	5:30-6:45	1871	STAFF	01/13-05/22	OP	093
	Lab	Mon	7:00-9:50	1807		01/13-05/22	OP	
Eve	32907	MW	5:30-6:45	1871	STAFF	01/13-05/22	OP	094
	Lab	Wed	7:00-9:50	1807		01/13-05/22	OP	

COMMUNICATION STUDIES

CMST I FUNDAMENT. OF PUBLIC SPEAKING 3.0 Units

Theory and techniques of public speaking. Discovery, development, and criticism of ideas in public discourse through research, reasoning, organization, composition, presentation,

D/E	CRN	DAYS	TIMES	ROOM	INSTRUCTOR	DATES	CODES	SEC	D/E	CRN	DAYS	TIMES	ROOM	INSTRUCTOR	DATES	CODES	SEC
-----	-----	------	-------	------	------------	-------	-------	-----	-----	-----	------	-------	------	------------	-------	-------	-----

and evaluation of various types of speeches including informative and persuasive speeches; includes developing the faculties of critical listening and problem solving.

Strongly Recommended: ENG 1A with a minimum grade of C

Day	32105	MW	8:00-9:15	4212	PEREZ	01/13-05/22	OP	V01
Day	32106	MW	9:30-10:45	4212	PEREZ	01/13-05/22	OP	V02
Day	32107	MW	11:00-12:15	4212	KELLNER	01/13-05/22	OP	V03
Day	32108	MW	11:00-12:15	4213	BREHE-JOHNS	01/13-05/22	OP	V04
Day	32109	MW	12:30-1:45	4213	BREHE-JOHNS	01/13-05/22	OP	V05
Day	32112	TTh	9:30-10:45	4213	DOBSON	01/13-05/22	OP	V08
Day	32114	TTh	11:00-12:15	4213	KELLNER	01/13-05/22	OP	V10
Day	32115	MW	2:00-3:15	4213	JOHNSON	01/13-05/22	OP	V11
Day	32116	TTh	4:00-5:15	4212	HEISLER	01/13-05/22	OP	V12
Day	32201	TTh	8:00-9:15	4213	DOBSON	01/13-05/22	OP	V13
Day	33513	MW	3:30-4:45	4213	STAFF	01/13-05/22	OP	V14
Day	32103	TTh	12:30-3:20	4212	HEISLER	01/13-03/13	OP	FT1

CMST 1-FT1 is a Fast Track course that meets from Jan 13-Mar 13.

Day	32104	TTh	12:25-3:30	4212	HEISLER	03/16-05/15	OP	FT2
-----	-------	-----	------------	------	---------	-------------	----	-----

CMST 1-FT2 is a Fast Track course that meets from Mar 16-May 15.

Eve	32117	Mon	7:00-10:00	4212	JOVIEN	01/13-05/22	OP	093
Eve	32118	Tue	6:00-8:50	4213	ANDREWS	01/13-05/22	OP	094
Eve	32119	Wed	7:00-9:50	4212	JOVIEN	01/13-05/22	OP	095
Eve	32120	Th	7:00-9:50	4213	NORTON	01/13-05/22	OP	096

CMST 1-DE1 is an online course. For more information, see the section titled "Online Learning" in this schedule, or go to <http://www.laspositascollege.edu/onlinelearning>.

Web	32111	ONLINE			HEISLER	01/13-05/22	OP	DE2
-----	-------	--------	--	--	---------	-------------	----	-----

CMST 1-DE2 is an online course. For more information, see the section titled "Online Learning" in this schedule, or go to <http://www.laspositascollege.edu/onlinelearning>.

Web	32113	ONLINE			KELLNER	01/13-05/22	OP	DE3
-----	-------	--------	--	--	---------	-------------	----	-----

CMST 1-DE3 is an online course. For more information, see the section titled "Online Learning" in this schedule, or go to <http://www.laspositascollege.edu/onlinelearning>.

CMST 2 ORAL INTERPRETATION OF LIT. 3.0 Units

Critical analysis, appreciation, and application of theories and techniques used to perform various forms of literature, including poetry, prose, and drama. Students will learn to evaluate, analyze, edit, and creatively perform selections of literature for an audience.

Day	32501	MW	12:30-1:45	4212	KELLNER	01/13-05/22	OP	V01
-----	-------	----	------------	------	---------	-------------	----	-----

CMST 3 GROUP COMMUNICATION 3.0 Units

Principles of communication in a variety of group contexts. Theory, application, and evaluation of group communication processes, including norms, roles, problem solving, conflict management, decision making, and leadership. Includes participation in simulation exercises and group activities.

Day	32121	TTh	12:30-1:45	4213	KELLNER	01/13-05/22	OP	V01
-----	-------	-----	------------	------	---------	-------------	----	-----

CMST 4 INTRO.TO COMMUNICATION STUD. 3.0 Units

Introduction to the breadth of the communication discipline with a focus on the foundations of interpersonal communication, small group communication, and public speaking. Examination and practice of basic human communication principles and theories to in a variety of contexts.

Strongly Recommended: ENG 1A with a minimum grade of C

Day	33211	TTh	11:00-12:15	4212	HEISLER	01/13-05/22	OP	V01
-----	-------	-----	-------------	------	---------	-------------	----	-----

CMST 10 INTERPERSONAL COMMUNICATION 3.0 Units

Exploration, discussion, and evaluation of the principles of the verbal and non-verbal communication process in relationships. Study of theory and research findings and their application to communication in interpersonal relationships in personal and professional contexts.

Strongly Recommended: ENG 1A with a minimum grade of C

Day	32122	Fri	9:30-12:20	4212	JOVIEN	01/13-05/22	OP	V01
-----	-------	-----	------------	------	--------	-------------	----	-----

Web	32502	ONLINE			DOBSON	01/13-05/22	OP	DE1
-----	-------	--------	--	--	--------	-------------	----	-----

CMST 10-DE1 is an online course. For more information, see the section titled "Online Learning" in this schedule, or go to <http://www.laspositascollege.edu/onlinelearning>.

CMST 46 ARGUMENTATION AND DEBATE 3.0 Units

Methods of critical inquiry and advocacy of contemporary moral, political, economic, and philosophical issues in a diverse multicultural society. Identifying fallacies in reasoning and language, testing evidence and evidence sources, advancing a reasoned position, and defending and refuting arguments. Analysis, presentation, and evaluation of oral and written arguments.

Strongly Recommended: ENG 1A with a minimum grade of C

Day	32123	Fri	9:30-12:20	4213	RAMSEY	01/13-05/22	OP	V01
-----	-------	-----	------------	------	--------	-------------	----	-----

Web	32503	ONLINE			PEREZ	01/13-05/22	OP	DE1
-----	-------	--------	--	--	-------	-------------	----	-----

CMST 46-DE1 is an online course. For more information, see the section titled "Online Learning" in this schedule, or go to <http://www.laspositascollege.edu/onlinelearning>.

CMST 48 ACTIVITIES IN FORENSICS 1.0 Units

Competition in the areas of public speaking and oral interpretation. Preparation, including research and writing; practice; and participation and performance in intercollegiate speech and debate tournaments.

Day	32124	Lab Fri	1:30-4:20	4211	DOBSON	01/13-05/22	OP	V01
-----	-------	---------	-----------	------	--------	-------------	----	-----

Lab	By Arr	9.0 Hrs/Wk	4211			01/13-05/22	OP	
-----	--------	------------	------	--	--	-------------	----	--

COMPUTER INFORMATION SYSTEMS

CIS 8 ESSENTIAL COMPUTING SKILLS 2.0 Units

Fundamental computer competency course designed to develop the basic computer skills and knowledge required in today's technological world. Basic computer competency is no longer a nicety, but a necessity in our personal and work lives. Topics include: basic computer hardware/software, networks and the Internet, effective web searches, file management skills, and cloud storage options. Hands-on experience with word processing, spreadsheet, presentation, and database software using Microsoft Office. No previous experience with computers is required.

Day	30469	By Arr	1.8 Hrs/Wk	803	STAFF	01/27-05/22	OP	LS1
-----	-------	--------	------------	-----	-------	-------------	----	-----

Lab	By Arr	1.8 Hrs/Wk	803			01/27-05/22	OP	
-----	--------	------------	-----	--	--	-------------	----	--

CIS 8-LS1 is a Late Start class that meets from Jan 27-May 22.

Students MUST attend an orientation session on Tuesday, January 28 at 2:30 p.m. or Thursday, January 30 at 1:00 p.m. in Room 803. At the orientation, students will work with the instructor to schedule required class hours in the 803 Computer Lab. This is not an online class.

D/E	CRN	DAYS	TIMES	ROOM	INSTRUCTOR	DATES	CODES	SEC	D/E	CRN	DAYS	TIMES	ROOM	INSTRUCTOR	DATES	CODES	SEC
Eve	30487	Mon	7:00-8:30	803	STAFF	01/27-05/22	OP	LE2	Web	30130		ONLINE		FIELDS	01/13-05/22	OP	DE1
		Lab	Wed	7:00-8:30	803	01/27-05/22	OP		<i>CIS 50-DE1 is an online course. For more information, see the section titled "Online Learning" in this schedule, or go to http://www.laspositascollege.edu/onlinelearning. Students must have access to Microsoft Office 2016 or 2019 software.</i>								
									<i>CIS 8-LS2 is a Late Start class that meets from Jan 27-May 22.</i>								

CIS 43 PROFESSIONAL COMMUNICATIONS 3.0 Units

This course applies the principles of ethical and effective communication to the creation of letters, memos, emails, and written and oral reports for a variety of business situations. The course emphasizes critical thinking, planning, organizing, composing, and revising business documents using word processing software for written documents and presentation-graphics software to create and deliver professional-level oral presentations. Additional focus will be placed on developing interpersonal skills, team participation skills, and technical report writing skills. Students who have completed or are enrolled in Business 43, Computer Networking Technology 43, or Computer Science 43 may not receive credit.

Prerequisite: ENG 1A with a minimum grade of C

Web	30348		ONLINE		AUSTIN	01/13-05/22	OP	DE1
<i>CIS 43-DE1 is an online course. For more information, see the section titled "Online Learning" in this schedule, or go to http://www.laspositascollege.edu/onlinelearning.</i>								

CIS 50 INTRO TO COMPUTING INFO TECH 3.0 Units

A comprehensive introductory to the concepts of management and information systems used in business and similar organizations. Covers the role of information systems in business, the need for data and information, how computers are used in business and other organizations to provide information. Focus on information systems, database management system, networking, e-commerce, ethics and security, computer system hardware and software components. Students will interactively solve applied problems utilizing software productivity tools such as: word processors, spreadsheets, databases, presentation, WWW, and programming languages. Introduce the analytical, written and oral communication skills necessary to communicate effectively in a business computing environment.

Day	30016	MW	9:30-10:45	1816	FIELDS	01/13-05/22	OP	HY1
			ONLINE/HYBRID			01/13-05/22	OP	

CIS 50-HY1 is a hybrid course. Students will meet on campus Mondays and Wednesdays from 9:30-10:45am in Room 1816. They will be required to complete the remainder of the course online. For more information, see the section titled "Online Learning" in this schedule, or go to <http://www.laspositascollege.edu/onlinelearning>. Students must have access to Microsoft Office 2016 or 2019 software.

Day	30017	TTh	12:30-1:45	1059	FIELDS	01/13-05/22	OP	HY2
			ONLINE/HYBRID			01/13-05/22	OP	

CIS 50-HY2 is a hybrid course. Students will meet on campus Tuesdays and Thursdays from 12:30-1:45pm in Room 1059. They will be required to complete the remainder of the course online. For more information, see the section titled "Online Learning" in this schedule, or go to <http://www.laspositascollege.edu/onlinelearning>. Students must have access to Microsoft Office 2016 or 2019 software.

Eve	30018	Wed	6:30-9:20	2480	STAFF	01/13-05/22	OP	HY3
			ONLINE/HYBRID			01/13-05/22	OP	

CIS 50-HY3 is a hybrid course. Students will meet on campus Wednesdays from 6:30-9:20pm in Room 2480. They will be required to complete the remainder of the course online. For more information, see the section titled "Online Learning" in this schedule, or go to <http://www.laspositascollege.edu/onlinelearning>. Students must have access to Microsoft Office 2016 or 2019 software.

Web 30170 ONLINE FIELDS 01/13-05/22 OP DE2

CIS 50-DE2 is an online course. For more information, see the section titled "Online Learning" in this schedule, or go to <http://www.laspositascollege.edu/onlinelearning>. Students must have access to Microsoft Office 2016 or 2019 software.

CIS 54 EXCEL: INTRO TO SPREADSHEETS 4.0 Units

This is a comprehensive spreadsheet class using Microsoft Excel to create a variety of spreadsheets with emphasis on business applications. Introductory, intermediate, and advanced topics are covered. Introductory topics include entering, editing, and formatting data, creating basic formulas using arithmetic operator and functions, creating charts, saving and printing worksheets. Intermediate topics include using Excel's Table features for sorting filtering and summarizing data, creating PivotTables, working with multiple worksheets and workbooks, naming cells, data validation, recording macros, and protecting worksheets. Advanced topics include using financial functions such as PMT, RATE, FV, creating nested IFs, using VLOOKUP and HLOOKUP functions, using What-If analysis tools such as Goal Seek, one and two variable Data Tables, and Scenario Manager, sharing workbooks, and integrating Excel with other Office applications.

Strongly Recommended: CIS 50

Eve	30290	Tue	6:30-9:20	1013	HART	01/13-05/22	OP	HY1
			ONLINE/HYBRID			01/13-05/22	OP	

CIS 54-HY1 is a hybrid course. Students will meet on campus Tuesdays from 6:30-9:20pm in Room 1013. They will be required to complete the remainder of the course online. For more information, see the section titled "Online Learning" in this schedule, or go to <http://www.laspositascollege.edu/onlinelearning>. Students must have access to Microsoft Office Excel 2019.

Web	30658		ONLINE		HART	01/13-05/22	OP	DE1
-----	-------	--	--------	--	------	-------------	----	-----

CIS 54-DE1 is an online course. For more information, see the section titled "Online Learning" in this schedule, or go to <http://www.laspositascollege.edu/onlinelearning>. Students must have access to Microsoft Office Excel 2019.

Web	30818		ONLINE		AUSTIN	01/13-05/22	OP	DE2
-----	-------	--	--------	--	--------	-------------	----	-----

CIS 54-DE2 is an online course. For more information, see section titled "Online Learning" in this schedule, or go to <http://www.laspositascollege.edu/onlinelearning>. Students must have access to Microsoft Access 2019.

CIS 55 INTEGRATING OFFICE APPLICATION 4.0 Units

Develop essential workplace application skills using current Microsoft Office including; Word, Excel, PowerPoint, Access, One Note, Outlook, cloud storage and cloud processing. Emphasis is to design, produce and integrate documents, worksheets, databases and professional presentations. The use of Object Linking and Embedding (OLE) to integrate, share, and collaborate data within and between applications.

Strongly Recommended: CIS 50

Web	30231		ONLINE		FIELDS	01/13-05/22	OP	DE1
-----	-------	--	--------	--	--------	-------------	----	-----

CIS 55-DE1 is an online course. For more information, see the section, titled "Online Learning" in this schedule, or go to <http://www.laspositascollege.edu/onlinelearning>. Students must have access to Microsoft Access 2019.

CIS 57 DATABASE CONCEPTS 3.0 Units

Introduction to Database Concepts, a computer program that is used to organize, store, and retrieve information. Understanding

D/E	CRN	DAYS	TIMES	ROOM	INSTRUCTOR	DATES	CODES	SEC	D/E	CRN	DAYS	TIMES	ROOM	INSTRUCTOR	DATES	CODES	SEC
-----	-----	------	-------	------	------------	-------	-------	-----	-----	-----	------	-------	------	------------	-------	-------	-----

of data, database structure, and database objects using Microsoft Access or similar programs with emphasis on business applications. Identify and evaluate client needs/requirements and translate those needs into a working database application model. Integrate Microsoft Access data with other Microsoft applications, such as Word and Excel.

Strongly Recommended: CIS 50 and CIS 55

Web 30472 ONLINE AUSTIN 01/13-05/22 OP DEI

CIS 57-DEI is an online course. For more information, see the section titled "Online Learning" in this schedule, or go to <http://www.laspositascollege.edu/onlinelearning>. Students must have access to Microsoft Access 2019.

CIS 59C WEB PROGRAMMING-JAVASCRIPT 3.0 Units

Develop client-side, interactive webpages using JavaScript and/or jQuery scripting languages. Write JavaScript scripts that manipulate with the JavaScript Document Object Model (DOM), control program flow, validate forms, animate images, target frames, and create cookies.

Strongly Recommended: CIS 59

Eve	30819	Th	6:30-8:50	1013	VANI	01/13-05/22	OP	HYI
			ONLINE/HYBRID			01/13-05/22	OP	

CIS 59C-HYI is a hybrid course. Students will meet on campus on Thursdays from 6:30-8:50pm in Room 1013. They will be required to complete the remainder of the course online. For more information, see the section titled "Online Learning" in this schedule, or go to <http://www.laspositascollege.edu/onlinelearning>.

CIS 62 PROJECT MANAGEMENT 3.0 Units

Using the Project Management Institute's (PMI) Guide to the Project Management Body of Knowledge (PMBOK), learn the basic characteristics of projects and project management, with emphasis on the five PMBOK project process groups of initiating, planning, executing, controlling, and closing and the nine knowledge areas of project integration. This introductory course covers the terminology you will need to know, how all the project management processes are linked together, the key areas of expertise you need to know to manage projects successfully. This course focuses on developing project management skills needed in typical technical and business environments. Objectives of project management industry certifications including Project+, CAPM, PMP will be reviewed.

Strongly Recommended: CIS 60 with a minimum grade of C

Web 31895 ONLINE/HYBRID STAFF 01/13-05/22 GR HDI

CIS 62-HDI is a hybrid course. All class meetings will be online except on the following dates when students will meet on campus from 10am-1pm in Room 2450: January 25, February 22, March 14, and April 18. For more information, see the section titled "Online Learning" in this schedule, or go to <http://www.laspositascollege.edu/onlinelearning>.

CIS 66 NETWORKING FUNDAMENTALS 3.0 Units

This course provides an introduction to computer networking fundamentals skills needed to meet the industry demand for entry-level Network Technicians. Topics include: Ethernet network fundamentals, Local Area Networks (LANs), and Wide Area Networks (WAN) technologies, the Open Systems Interconnection (OSI) model, wiring implementations, network adapters and connectivity devices, IPv4/IPv6 addressing, Voice over IP (VoIP), and wireless standards. Tools to help prevent cyber attacks with IDS (Intrusion Detection Systems), authentication, and encryption are demonstrated. Student labs include: configuration of a SOHO (Small Office/Home Office), a firewall, a virtual private network (VPN), a switch, and a router and documenting a networking using professional drawing software. The responsibilities of an ICT (Information and Communications

Technology) professional will be introduced. This course prepares students for the CompTIA Network+ Certification Exam. This professional certification verifies the student has the knowledge equivalent to that of an ICT technician with about 12 months of hands-on experience.

Strongly recommended: Computer Information Systems 50.

Eve	30121	Wed	6:00-8:50	804	WEICHERT	01/13-05/22	OP	HYI
		Lab	ONLINE/HYBRID			01/13-05/22	OP	

CIS 66-HYI is a hybrid course. Students will meet on campus Wednesdays from 6:00-8:50pm in Room 804. They will be required to complete the remainder of the course online. For more information, see the section titled "Online Learning" in this schedule, or go to <http://www.laspositascollege.edu/onlinelearning>.

Web 32685 ONLINE WEICHERT 01/13-05/22 OP DEI

CIS 66-DEI is an online course. For more information, see the section titled "Online Learning" in this schedule, or go to <http://www.laspositascollege.edu/onlinelearning>.

CIS 71A KEYBOARDING (THE ALPHABET) 1.0 Units

Introduction to the alphabet letter keys on the computer keyboard for touch-typing. Learn basic keyboarding techniques for accuracy and speed. This course is the first in a series of sequential courses in keyboarding instruction. Students are advised to take these courses in sequence for best training results.

Day	30791	Lab TTh	1:00-2:45	803B	STAFF	01/27-05/22	OP	LSI
-----	-------	---------	-----------	------	-------	-------------	----	-----

CIS 71A-LSI is a Late Start course that meets from Jan 27-May 22.

Web 30134 ONLINE STAFF 01/27-05/22 OP LOI

CIS 71A-LOI is a Late Start online course that meets from Jan 27-May 22. For more information, see the section titled "Online Learning" in this schedule, or go to <http://www.laspositascollege.edu/onlinelearning>.

CIS 71B KEYBOARD (NUMBERS AND SYMBOLS) 1.0 Units

Introduction to the numbers and symbol keys on the computer keyboard for touch typing. Review of alphabetic keys and common punctuation marks. Speed building and accuracy improvement.

Strongly Recommended: CIS 71A with a minimum grade of C

Day	30792	Lab TTh	1:00-2:45	803B	STAFF	01/27-05/22	OP	LSI
-----	-------	---------	-----------	------	-------	-------------	----	-----

CIS 71B-LSI is a Late Start course that meets from Jan 27-May 22.

Web 30135 ONLINE STAFF 01/27-05/22 OP LOI

CIS 71B-LOI is a Late Start online course that meets from Jan 27-May 22. For more information, see the section titled "Online Learning" in this schedule, or go to <http://www.laspositascollege.edu/onlinelearning>.

CIS 71C SKILLS IMPROVEMENT 1.0 Units

Development of keyboarding skill for those students who have learned the location of the keys on the keyboard by touch and are ready to increase speed and accuracy. Practice keyboarding control of speed and accuracy on straight copy, rough draft copy, and copy with numbers, and symbols. Skill progress is measured by keying text within specified time limits. Students should know the location of the keys on the keyboard before attempting this course. This course is the third module in a sequential series of beginning keyboarding instruction.

Strongly Recommended: CIS 71B with a minimum grade of C

Day	30793	Lab TTh	1:00-2:45	803B	STAFF	01/27-05/22	OP	LSI
-----	-------	---------	-----------	------	-------	-------------	----	-----

CIS 71C-LSI is a Late Start course that meets from Jan 27-May 22.

Web 30136 ONLINE STAFF 01/27-05/22 OP LOI

CIS 71C-LOI is a Late Start online course that meets from Jan 27-May 22. For more information, see the section titled "Online Learning" in this schedule, or go to <http://www.laspositascollege.edu/onlinelearning>.

The following DAY CIS classes are offered on an INDIVIDUALIZED HANDS-ON basis: CIS 71A, 71B, 71C, 72A, 72B, 73A, & 75

Lab hours are arranged with the instructor by reporting to the 803 computer lab at 9:00am or 10:00am on Monday, January 27, 2020. If you are unable to come to the 803 lab on January 27, 2020, you must contact the instructor within the first week of class. For more information, contact LaVaughn Hart via email at lhart@laspositascollege.edu.

Strongly Recommended: CIS 50 or CIS 8 with a minimum grade of C

Day 30123 Lab By Arr 3.4 Hrs/Wk 803B STAFF 01/27-05/22 OP LSI
CIS 72B-LS1 is a Late Start course that meets from Jan 27-May 22.

CIS 73A TEN-KEY SKILL DEVELOPMENT 1.0 Units
 Skill development on the computer numeric keypad, electronic calculator including use of memory functions, and data entry using spreadsheets.

Day 30141 Lab By Arr 3.4 Hrs/Wk 803B STAFF 01/27-05/22 OP LS2
CIS 73A-LS1 is a Late Start course that meets from Jan 27-May 22.

CIS 75 OFFICE TECH./COMMUNICATIONS 1.0 Units
 Overview of various technologies (such as video-conferencing, cloud services and storage, mobile devices) used for communicating internally and externally in the workplace. Hands-on practice with Outlook (email, contact management, calendaring), cloud-based applications and data storage, and telephone technique.

Strongly Recommended: Eligibility for English 1A and CIS 71A with a minimum grade of C

Day 31896 Lab By Arr 3.4 Hrs/Wk 803B STAFF 01/27-05/22 OP LSI
CIS 75-LS1 is a Late Start course that meets from Jan 27-May 22.

The following EVENING CIS classes are offered on an INDIVIDUALIZED HANDS-ON basis: CIS 71A, 71B, 71C, 72A, 72B, 73A, & 75

Lab hours are arranged with the instructor by reporting to the 803 computer lab at 6:00pm or 7:00pm on Wednesday, January 27, 2020. If you are unable to come to the 803 lab on January 27, 2020, you must contact the instructor within the first week of class. For more information, contact LaVaughn Hart via email at lhart@laspositascollege.edu.

CIS 71A KEYBOARDING (THE ALPHABET) 1.0 Units
 Introduction to the alphabet letter keys on the computer keyboard for touch-typing. Learn basic keyboarding techniques for accuracy and speed. This course is the first in a series of sequential courses in keyboarding instruction. Students are advised to take these courses in sequence for best training results.

Eve 30794 Lab By Arr 3.4 Hrs/Wk 803B STAFF 01/27-05/22 OP LS2
CIS 71A-LS2 is a Late Start course that meets from Jan 27-May 22.

CIS 71B KEYBOARD (NUMBERS AND SYMBOLS) 1.0 Units
 Introduction to the numbers and symbol keys on the computer keyboard for touch typing. Review of alphabetic keys and common punctuation marks. Speed building and accuracy improvement.

Strongly Recommended: CIS 71A with a minimum grade of C.

Eve 30795 Lab By Arr 3.4 Hrs/Wk 803B STAFF 01/27-05/22 OP LS2
CIS 71B-LS2 is a Late Start course that meets from Jan 27-May 22.

CIS 71C SKILLS IMPROVEMENT 1.0 Units
 Development of keyboarding skill for those students who have learned the location of the keys on the keyboard by touch and are ready to increase speed and accuracy. Practice keyboarding control of speed and accuracy on straight copy, rough draft copy, and copy with numbers, and symbols. Skill progress is measured by keying text within specified time limits. Students should know the location of the keys on the keyboard before attempting this course. This course is the third module in a sequential series of beginning keyboarding instruction.

Strongly Recommended: CIS 71B with a minimum grade of C

CIS 71A KEYBOARDING (THE ALPHABET) 1.0 Units

Introduction to the alphabet letter keys on the computer keyboard for touch-typing. Learn basic keyboarding techniques for accuracy and speed. This course is the first in a series of sequential courses in keyboarding instruction. Students are advised to take these courses in sequence for best training results.

Day 30847 Lab By Arr 3.4 Hrs/Wk 803B STAFF 01/27-05/22 OP LS3
CIS 71A-LS3 is a Late Start course that meets from Jan 27-May 22.

CIS 71B KEYBOARD (NUMBERS AND SYMBOLS) 1.0 Units

Introduction to the numbers and symbol keys on the computer keyboard for touch typing. Review of alphabetic keys and common punctuation marks. Speed building and accuracy improvement.

Strongly Recommended: CIS 71A with a minimum grade of C.

Day 30848 Lab By Arr 3.4 Hrs/Wk 803B STAFF 01/27-05/22 OP LS3
CIS 71B-LS3 is a Late Start course that meets from Jan 27-May 22.

CIS 71C SKILLS IMPROVEMENT 1.0 Units

Development of keyboarding skill for those students who have learned the location of the keys on the keyboard by touch and are ready to increase speed and accuracy. Practice keyboarding control of speed and accuracy on straight copy, rough draft copy, and copy with numbers, and symbols. Skill progress is measured by keying text within specified time limits. Students should know the location of the keys on the keyboard before attempting this course. This course is the third module in a sequential series of beginning keyboarding instruction.

Strongly Recommended: CIS 71B with a minimum grade of C

Day 30849 Lab By Arr 3.4 Hrs/Wk 803B STAFF 01/27-05/22 OP LS3
CIS 71C-LS3 is a Late Start course that meets from Jan 27-May 22.

CIS 72A DATA MANAGEMENT 1.0 Units

Individualized instruction on the theory and practice of alphabetic, numeric, geographic, and subject filing. Basic principles of filing and effective records management for both paper and electronic filing systems. Introduction to database functions, such as enter, editing, finding, and deleting records, creating queries, and printing report.

Day 30122 Lab By Arr 3.4 Hrs/Wk 803B STAFF 01/27-05/22 OP LSI
CIS 72A-LS1 is a Late Start course that meets from Jan 27-May 22.

CIS 72B BASIC OFFICE INTEGRATION 1.0 Units

Using a project-based approach, students will be introduced to features that enable data to be transferred between programs such as Microsoft Office applications or Google applications. Using the techniques introduced in this course, students will be able to incorporate data and charts created in Excel or Google Sheets into Word or Google Docs documents and PowerPoint or Google Presentations, use worksheet data to create tables in an Access database, and use a Word or Google Docs documents to create presentations.

D/E	CRN	DAYS	TIMES	ROOM	INSTRUCTOR	DATES	CODES	SEC	D/E	CRN	DAYS	TIMES	ROOM	INSTRUCTOR	DATES	CODES	SEC
-----	-----	------	-------	------	------------	-------	-------	-----	-----	-----	------	-------	------	------------	-------	-------	-----

Eve 30796 Lab By Arr 3.4 Hrs/Wk 803B STAFF 01/27-05/22 OP LS2
CIS 71C-LS2 is a Late Start course that meets from Jan 27-May 22.

CIS 72A DATA MANAGEMENT 1.0 Units

Individualized instruction on the theory and practice of alphabetic, numeric, geographic, and subject filing. Basic principles of filing and effective records management for both paper and electronic filing systems. Introduction to database functions, such as enter, editing, finding, and deleting records, creating queries, and printing report.

Eve 31500 Lab By Arr 3.4 Hrs/Wk 803B STAFF 01/27-05/22 OP LS2
CIS 72A-LS2 is a Late Start course that meets from Jan 27-May 22.

CIS 72B BASIC OFFICE INTEGRATION 1.0 Units

Using a project-based approach, students will be introduced to features that enable data to be transferred between programs such as Microsoft Office applications or Google applications. Using the techniques introduced in this course, students will be able to incorporate data and charts created in Excel or Google Sheets into Word or Google Docs documents and PowerPoint or Google Presentations, use worksheet data to create tables in an Access database, and use a Word or Google Docs documents to create presentations.

Strongly Recommended: CIS 50 or CIS 8 with a minimum grade of C

Eve 30473 Lab By Arr 3.4 Hrs/Wk 803B STAFF 01/27-05/22 OP LS2
CIS 72B-LS2 is a Late Start course that meets from Jan 27-May 22.

CIS 73A TEN-KEY SKILL DEVELOPMENT 1.0 Units

Skill development on the computer numeric keypad, electronic calculator including use of memory functions, and data entry using spreadsheets.

Eve 30132 Lab By Arr 3.4 Hrs/Wk 803B STAFF 01/27-05/22 OP LSI
CIS 73A-LS1 is a Late Start course that meets from Jan 27-May 22.

CIS 75 OFFICE TECH./COMMUNICATIONS 1.0 Units

Overview of various technologies (such as video-conferencing, cloud services and storage, mobile devices) used for communicating internally and externally in the workplace. Hands-on practice with Outlook (email, contact management, calendaring), cloud-based applications and data storage, and telephone technique.

Strongly Recommended: Eligibility for English 1A and CIS 71A with a minimum grade of C

Eve 30184 Lab By Arr 3.4 Hrs/Wk 803B STAFF 01/27-05/22 OP LS2
CIS 75-LS2 is a Late Start course that meets from Jan 27-May 22.

CIS 74 OFFICE PROCEDURES 3.0 Units

Introduction to office principles, procedures, and technology. Topics include telephone skills, office equipment, working effectively in a team environment, records management, customer service, meeting/event planning, postal/shipping services, utilizing the internet for on-line services and resources, using appropriate software to complete common tasks, written and oral business communications, conflict resolution, and office etiquette. Prepares administrative professionals to work in a diversified workforce with emerging technologies. (Formerly BUSN 74.)

Strongly Recommended: CIS 8 and CIS 71C

Web 32141 ONLINE STAFF 01/13-05/22 OP DEI

CIS 74-DEI is an online course. For more information, see the section titled "Online Learning" in this schedule, or go to <http://www.laspositascollege.edu/onlinelearning>. Students must have access to Microsoft Office 2016 or Microsoft Office 2019 software.

CIS 79 MEDICAL OFFICE PROCEDURE 3.0 Units

Medical office principles and procedures to include telecommunications, scheduling appointments, office equipment, medical documents and word processing, managing medical records, banking, payroll, expense reports, petty cash, billing, recordkeeping, postal services, health insurance, coding, and utilizing the Internet for online financial services and resources. The importance of medical ethics in application of professional office behavior. Overview of medical law and careers in medical office environment.

Strongly Recommended: CIS 8 and CIS 88A with a minimum grade of C

Web 30660 ONLINE STAFF 01/13-05/22 OP DEI

CIS 79-DEI is an online course. For more information, see the section titled "Online Learning" in this schedule, or go to <http://www.laspositascollege.edu/onlinelearning>. Students must have access to Microsoft Office 2016 or Microsoft Office 2019 software.

CIS 84 WINDOWS 1.0 Units

Hands-on class introducing Microsoft Windows operations. Topics include: logging in, the Windows Desktop, launching applications, working with multiple applications windows, proper shutdown techniques, and using Microsoft Edge to browse the web. File and folder management are also covered including creating folders, copying and moving files and folders, searching for specific files, and navigating drives and folders.

Day 30587 Tue 12:30-1:20 803B STAFF 03/16-05/15 OP FT2
Lab Tue 1:25-2:35 803B 03/16-05/15 OP
Lab Th 12:30-2:15 803B 03/16-05/15 OP

CIS 84-FT2 is a Fast Track course that meets from Mar 16-May 15.

CIS 88A INTRODUCTION TO MICROSOFT WORD 1.5 Units

Develop the skills needed in the workplace to produce common business documents, such as letters, resumes, flyers, and reports. Topics include document creation and editing; use of Microsoft Word features to apply character and paragraph formatting; creating and formatting tables, enhancing visual appeal by incorporating graphics elements, using the mail merge feature, and printing documents.

Strongly Recommended: CIS 71A

Day 30185 TTh 12:30-1:20 803B STAFF 01/13-03/13 OP FT1
Lab TTh 1:30-2:45 803B 01/13-03/13 OP

CIS 88A-FT1 is a Fast Track course that meets from Jan 13-Mar 13.

Web 30357 ONLINE STAFF 01/13-03/13 OP DEI

CIS 88A-DEI is a Fast Track online course that meets from Jan 13-Mar 13. For more information, see the section titled "Online Learning" in this schedule, or go to <http://www.laspositascollege.edu/onlinelearning>. Students must have access to Microsoft Office 2019 software.

CIS 88B ADV MICROSOFT WORD 1.5 Units

Advanced word processing techniques used to produce complex business documents. Includes topics such as format multiple page reports, create tables of contents and indexes, insert footnotes/endnotes, using Word's collaboration features to share documents, create macros to automate tasks, and integrate data from Excel and other programs.

Strongly Recommended: CIS 88A

Day 30158 TTh 12:30-1:25 803B STAFF 03/16-05/15 OP FT2
Lab TTh 1:35-2:55 803B 03/16-05/15 OP

CIS 88B-FT2 is a Fast Track course that meets from Mar 16-May 15.

Web 30358 ONLINE STAFF 03/16-05/15 OP LOI

CIS 88B-LO1 is a Fast Track online course that meets from Mar 16-May 15. For more information, see the section titled "Online Learning" in this schedule, or go to <http://www.laspositascollege.edu/onlinelearning>. Students must have access to Microsoft Office 2019 software.

CIS 89A DESKTOP PRESENTATION 1.0 Units

Desktop presentation design techniques and enhancements. Application using current desktop presentation software. Hands-on experience creating, editing, saving, printing slide shows, incorporating graphics, charts, tables, SmartArt, sounds, and video, enhancing presentations using transitions and animations.

Day	30199	Tue	12:30-1:20	803B	STAFF	03/16-05/15	OP	FT2
	Lab	Tue	1:25-2:15	803B		03/16-05/15	OP	
	Lab	Th	12:30-2:00	803B		03/16-05/15	OP	

CIS 89A-FT2 is a Fast Track course that meets from Mar 16-May 15.

Eve	30195	Mon	6:30-7:20	803B	STAFF	03/16-05/15	OP	FT4
	Lab	Mon	7:30-8:45	803B		03/16-05/15	OP	
	Lab	Wed	6:30-8:45	803B		03/16-05/15	OP	

CIS 89A-FT4 is a Fast Track course that meets from Mar 16-May 15.

Web	30359	ONLINE			STAFF	03/16-05/15	OP	LO1
-----	-------	--------	--	--	-------	-------------	----	-----

CIS 89A-LO1 is a Fast Track online course that meets from Mar 16-May 15. For more information, see the section titled "Online Learning" in this schedule, or go to <http://www.laspositascollege.edu/onlinelearning>. Students must have access to Microsoft Office 2019 software.

CLLOUD COMPUTING

CIS 81A INTRO TO CLOUD COMPUTING 3.0 Units

This course introduces cloud computing which shifts information systems from on premises computing infrastructure to highly scalable internet architectures using current cloud platforms such as AWS, AZURE. The course provides a basic understanding of cloud computing technologies and provides students with the understanding required to effectively evaluate and assess the business and technical benefits of cloud computing and cloud applications. Students analyze a variety of cloud services (storage, servers, software applications), then learn to configure, deploy, and manage cloud facilities. The course also demonstrates/makes available the AWS and/or AZURE platforms for educational, industry career path guidance and career opportunities. This course surveys cloud careers and explores industry demand for cloud skills.

Web	33524	ONLINE			FIELDS	01/13-03/13	OP	DEI
-----	-------	--------	--	--	--------	-------------	----	-----

CIS 81A-DEI is a Fast Track online course that meets from Jan 13-Mar 13. For more information, see the section titled "Online Learning" in this schedule, or go to <http://www.laspositascollege.edu/onlinelearning>.

Web	33525	ONLINE			FIELDS	03/16-05/15	OP	LO2
-----	-------	--------	--	--	--------	-------------	----	-----

CIS 81A-LO2 is a Fast Track online course that meets from Mar 16-May 15. For more information, see the section titled "Online Learning" in this schedule, or go to <http://www.laspositascollege.edu/onlinelearning>.

COMPUTER NETWORKING TECHNOLOGY

CNT 43 PROFESSIONAL COMMUNICATIONS 3.0 Units

This course applies the principles of ethical and effective communication to the creation of letters, memos, emails, and written and oral reports for a variety of business situations.

The course emphasizes critical thinking, planning, organizing, composing, and revising business documents using word processing software for written documents and presentation-graphics software to create and deliver professional-level oral presentations. Additional focus will be placed on developing interpersonal skills, team participation skills, and technical report writing skills. Students who have completed or are enrolled in Business 43, Computer Information Systems 43, or Computer Science 43 may not receive credit.

Prerequisite: ENG 1A with a minimum grade of C

Web	30347	ONLINE			AUSTIN	01/13-05/22	OP	DEI
-----	-------	--------	--	--	--------	-------------	----	-----

CNT 43-DEI is an online course. For more information, see the section titled "Online Learning" in this schedule, or go to <http://www.laspositascollege.edu/onlinelearning>.

CNT 51 COMPTIAS A+ CERT. COMP.TECH 4.0 Units

This course provides an introduction to the computer hardware and software skills needed to help meet the industry demand for entry-level PC Technicians. This course covers PC hardware, software, security, networking, laptops, printers, operational procedures, operating systems, security, troubleshooting, and mobile devices. The students will study the topics needed to become certified PC technicians. Preparation for the CompTIA A+ certification, which verifies knowledge equivalent to that of an entry-level ICT (Information and Communications Technology) technician with about 12 months of hands-on experience. The responsibilities of an ICT professional will be introduced.

Strongly recommended: Computer Networking Technology 50.

Eve	31688	Tue	6:00-8:50	804	VANI	01/13-05/22	OP	HYI
	Lab		ONLINE/HYBRID			01/13-05/22	OP	

CNT 51-HYI is a hybrid course. Students will meet on campus Tuesdays from 6:00-8:50 pm in Room 804. They will be required to complete the remainder of the course online. For more information, see the section titled "Online Learning" in this schedule, or go to <http://www.laspositascollege.edu/onlinelearning>.

Web	32723	ONLINE			WEICHERT	01/13-05/22	OP	DEI
-----	-------	--------	--	--	----------	-------------	----	-----

CNT 51-DEI is an online course. For more information, see the section titled "Online Learning" in this schedule, or go to <http://www.laspositascollege.edu/onlinelearning>.

CNT 52 NETWORKING FUNDAMENTALS 3.0 Units

This course provides an introduction to computer networking fundamentals skills needed to meet the industry demand for entry-level Network Technicians. Topics include: Ethernet network fundamentals, Local Area Networks (LANs), and Wide Area Networks (WAN) technologies, the Open Systems Interconnection (OSI) model, wiring implementations, network adapters and connectivity devices, IPv4/IPv6 addressing, Voice over IP (VoIP), and wireless standards. Tools to help prevent cyber attacks with IDS (Intrusion Detection Systems), authentication, and encryption are demonstrated. Student labs include: configuration of a SOHO (Small Office/Home Office), a firewall, a virtual private network (VPN), a switch, and a router and documenting a networking using professional drawing software. The responsibilities of an ICT (Information and Communications Technology) professional will CompTIA Network+ Certification Exam. This professional certification verifies the student has the knowledge equivalent to that of an ICT technician with about 12 months of hands-on experience.

Strongly Recommended: CIS 50

Eve	30271	Wed	6:00-8:50	804	WEICHERT	01/13-05/22	OP	HYI
	Lab		ONLINE/HYBRID			01/13-05/22	OP	

D/E	CRN	DAYS	TIMES	ROOM	INSTRUCTOR	DATES	CODES	SEC	D/E	CRN	DAYS	TIMES	ROOM	INSTRUCTOR	DATES	CODES	SEC
-----	-----	------	-------	------	------------	-------	-------	-----	-----	-----	------	-------	------	------------	-------	-------	-----

CNT 52-HY1 is a hybrid course. Students will meet on campus Wednesdays from 6:00-8:50pm in Room 804. They will be required to complete the remainder of the course online. For more information, see the section titled "Online Learning" in this schedule, or go to <http://www.laspositascollege.edu/onlinelearning>.

Web 32686 ONLINE WEICHERT 01/13-05/22 OP DEI
CNT 52-DEI is an online course. For more information, see the section titled "Online Learning" in this schedule, or go to <http://www.laspositascollege.edu/onlinelearning>.

CNT 55 MCSA-I WINDOWS SERVER 3.0 Units

This course prepares students for the Microsoft's Examination: Installation, Storage and Compute with Windows Server, which is the first of three exams a student must pass to obtain a MCSA (Microsoft Certified Solutions Associate) Certification. By passing this exam, one become a Microsoft Certified Professional (MCP) and gains access to MCP network or computer systems administrator or as a computer network specialist. The topics include installation, storage, and compute features and functionality available in the current Windows Server, Nano Server, images for deployment, storage solutions, data deduplication, high availability, disaster recovery, storage spaces direct, and failover clustering solutions. Also covered: Hyper-V and containers.

Strongly Recommended: CNT 52 with a minimum grade of C

Web 32186 ONLINE STAFF 01/13-05/22 OP DEI
CNT 55-DEI is an online course. For more information, see the section titled "Online Learning" in this schedule, or go to <http://www.laspositascollege.edu/onlinelearning>.

CNT 57 MSCA III IDENTITY WINDOWS SERV 3.0 Units

This course prepares the students for the Microsoft's Examination: Identity with Windows Server, which is the second of three exams a student must pass to obtain a MCSA (Microsoft Certified Solutions Associate) Certification. By passing this exam, one become a Microsoft Certified Professional (MCP) and gains access to MCP benefits. In this course, students manage identities, install, configure, manage, and maintain Active Directory Domain Services (AD DS) as well as implement Group Policy Objects (GPOs). Students also install and manage Active Directory Certificate Services (AD CS), Active Directory Federations Services (AD FS), Active Directory Rights Management Services (AD RMS), and Web Application proxy.

Strongly Recommended: CNT 56 with a minimum grade of C

Eve	32585	Th	6:00-8:15	804	WEICHERT	01/13-05/22	OP HYI
Lab			ONLINE/HYBRID			01/13-05/22	OP

CNT 57-HY1 is a hybrid course. Students will meet on campus Thursdays from 6:00-8:15pm in Room 804. They will be required to complete the remainder of the course online. For more information, see the section titled "Online Learning" in this schedule, or go to <http://www.laspositascollege.edu/onlinelearning>.

CNT 69 NETWORK SECURITY; COMPTIA 3.0 Units

The CompTIA Security+ exam will certify the successful candidate has the knowledge and skills required to install and configure systems to secure applications, networks, and devices; perform threat analysis and respond with appropriate mitigation techniques; participate in risk mitigation activities; and operate with an awareness of applicable policies, laws, and regulations. The successful candidate will perform these tasks to support the principles of confidentiality, integrity, and availability. This course provides an introduction to the concepts and practices of secure network design and management using desktop and

network operating systems, router and switch operating systems, hardware and software Firewall and VPN technology for wired and wireless systems. The program includes authentication methods and devices, protocol analysis and IP network troubleshooting, strategies for identifying and countering vulnerabilities, network media and topologies in a secure network, intrusion detection and forensic incident response. CompTIA Security+ meets the ISO 17024 standard and is approved by U.S. Department of Defense. Security+ is also compliant with government regulations under the Federal Information Security Management Act (FISMA).
Strongly Recommended: CNT 51 and CNT 52 with a minimum grade of C

Web 32586 ONLINE DAUD 01/13-05/22 OP DEI
CNT 69-DEI is an online course. For more information, see the section titled "Online Learning" in this schedule, or go to <http://www.laspositascollege.edu/onlinelearning>.

CNT 7401 INTRO.TO LINUX/LPI LINUX CERT. 3.0 Units

This course provides hands-on training covering basic installation, management, configuration, documentation and hardware topics for the Linux/UNIX operating system on workstations in a network environment. The course includes comprehensive coverage of topics related to Linux distributions, installation, administration, X-Windows, and networking. Students who have completed or are enrolled in Computer Science 41 may not receive credit.

Strongly Recommended: CNT 50 with a minimum grade of C

Eve	32075	Tue	6:00-8:20	805	DAUD	01/13-05/22	OP HYI
Lab			ONLINE/HYBRID			01/13-05/22	OP

CNT 7401-HY1 is a hybrid course. Students will meet on campus Tuesdays from 6:00-8:20pm in Room 805. They will be required to complete the remainder of the course online. For more information, see the section titled "Online Learning" in this schedule, or go to <http://www.laspositascollege.edu/onlinelearning>.

CNT 7501 ETHICAL HACKING 3.0 Units

This course introduces the network security specialist to the various methodologies for attacking a network. Students will be introduced to the concepts, principles, and techniques, supplemented by hands-on exercises, for attacking and disabling a network. These methodologies are presented within the context of properly securing the network. The course will emphasize network attack methodologies with the emphasis on student use of network attack techniques and tools and appropriate defenses and countermeasures. Students will receive course content information through a variety of methods: lecture and demonstration of hacking tools will be used in addition to a virtual environment. Students will receive a hands-on practical hacking.

Strongly Recommended: CNT 52 with a minimum grade of C

Day	30583	Mon	3:30-5:45	805	DAUD	01/13-05/22	OP HYI
			ONLINE/HYBRID			01/13-05/22	OP

CNT 75.1-HY1 is a hybrid course. Students will meet on campus on Mondays from 3:30-5:45pm in Room 805. They will be required to complete the remainder of the course online. For more information, see the section titled "Online Learning" in this schedule, or go to <http://www.laspositascollege.edu/onlinelearning>.

CNT 7701 IT VIRTUALIZATION, DATA, VMWARE 3.0 Units

With VMware, students learn about virtualization, SDNs (Software Defined Networks), data center management, and remote operation of IT infrastructures in the Cloud. Increasingly, businesses are moving their IT services to data centers, and

D/E	CRN	DAYS	TIMES	ROOM	INSTRUCTOR	DATES	CODES	SEC	D/E	CRN	DAYS	TIMES	ROOM	INSTRUCTOR	DATES	CODES	SEC
-----	-----	------	-------	------	------------	-------	-------	-----	-----	-----	------	-------	------	------------	-------	-------	-----

skilled VMware professionals are and will be in high demand for the foreseeable future. vSphere-the major VMware platform-includes features for configuration, backup, cloning, resizing, securing, and moving virtual machines. Upon completion of this course, students will have covered the topics required for taking the examination for the VMware Certified Professional (VCP). This hands-on training course will have students install, configure, and manage different VMware virtualization products. VMware certification is normally valid for two years.

Strongly Recommended: CNT 8001, CNT 51 and CNT 52 with a minimum grade of C

Eve	33526	Mon	6:30-8:45	805	DAOUD	01/13-05/22	OP	HYI
			ONLINE/HYBRID			01/13-05/22	OP	

CNT 7701 is a hybrid course. Students will meet on campus on Mondays from 6:30-8:45pm in Room 805. They will be required to complete the remainder of the course online. For more information, see the section titled "Online Learning" in this schedule, or go to <http://www.laspositascollege.edu/onlinelearning>.

CNT 8003 CISCO CCNA3 SCALING NETWORKS 3.0 Units

Architecture, components, and operations of routers and switches in large and complex networks. Configuring routers and switches for advanced functionality. Configuring and troubleshooting routers and switches and resolving common issues with OSPF, EIGRP, and STP in both IPv4 and IPv6 networks. Developing the knowledge and skills needed to implement a WLAN in a small-to-medium network. Preparation for Cisco certification examination.

Prerequisite: CNT 8002 with a minimum grade of C

Eve	33527	Wed	6:00-9:45	805	DAOUD	01/13-03/13	OP	HYI
			ONLINE/HYBRID			01/13-03/13	OP	

CNT 8003-HY1 is a Fast Track hybrid course that meets from Jan 13-Mar 13. Students will meet on campus on Wednesdays from 6:00-9:45pm in Room 805. They will be required to complete the remainder of the course online. For more information, see the section titled "Online Learning" in this schedule, or go to <http://www.laspositascollege.edu/onlinelearning>.

CNT 8004 CISCO CCNA4 R&S CONNECTING NETWORKS 3.0 Units

CCNA4 is the final course that may be used to prepare for the Cisco Certified Network Associate (CCNA). CCNA4 discusses the WAN technologies and network services required by converged applications in a complex network. The course enables students to understand the selection criteria of network devices and WAN technologies to meet network requirements. Students learn how to configure and troubleshoot network devices and resolve common issues with data link protocols. By the end of this course, students will be able to configure and troubleshoot routers and switches, and resolve common issues with BGP, ACLs, WAN technologies, SPAN & RSPAN, Netflow, SNMPv1-3, Syslog, and IPSec & virtual private network (VPN) operations in a complex network. In addition, the course will assist the student in developing the skills necessary to plan and implement switching and routing polices. CCNA4 introduces students to intermediate level networking concepts and technologies using a hands-on approach. All work can be done on real current equipment and on virtual simulated equipment. LPC courses emphasize critical thinking, problem solving, collaboration, and the practical application of skills.

Prerequisite: CCNA3 Scaling Networks, or permission of the instructor.

Prerequisite: CNT 8003 with a minimum grade of C May be taken concurrently

Eve	33528	Wed	6:00-9:45	805	DAOUD	03/16-05/15	OP	LD2
			ONLINE/HYBRID			03/16-05/15	OP	

CNT 8004-HY2 is a Fast Track hybrid course that meets from Mar 16-May 15. Students will meet on campus on Wednesdays from 6:00-9:45pm in Room 805. They will be required to complete the remainder of the course online. For more information, see the section titled "Online Learning" in this schedule, or go to <http://www.laspositascollege.edu/onlinelearning>.

COMPUTER SCIENCE

CS 1 COMPUTING FUNDAMENTALS I 4.0 Units

Introduction to programming and problem-solving using C++. Problem solving techniques and algorithms; program design, development, style, testing and debugging. C++ syntax covered includes: variables; data types; operators and expressions; control structures; library and user-defined functions; basic input/output; binary input/output; arrays; vectors, user-defined data structures.

Strongly Recommended: MATH 107

Day	30345	MW	11:00-12:15	1054	MORENO	01/13-05/22	OP	V01
		Lab MW	12:30-1:45	1054		01/13-05/22	OP	
Day	31539	TTh	9:30-10:45	1054	MORENO	01/13-05/22	OP	V02
		Lab TTh	11:00-12:15	1054		01/13-05/22	OP	
Day	31665	TTh	12:30-1:45	1054	STAFF	01/13-05/22	OP	V03
		Lab TTh	2:00-3:15	1054		01/13-05/22	OP	
Day	32076	MW	8:00-9:15	1013	KOMANETSKY	01/13-05/22	OP	V04
		Lab MW	9:30-10:45	1013		01/13-05/22	OP	
Eve	30344	TTh	6:30-7:45	1054	MORTEZAIE	01/13-05/22	OP	093
		Lab TTh	8:00-9:15	1054		01/13-05/22	OP	

CS 2 COMPUTING FUNDAMENTALS II 4.0 Units

Application of software engineering techniques to the design and development of large programs. Object-oriented programming methods and problem-solving strategies applied to intermediate-level problems using C++. Includes pointers and dynamic allocation; classes; encapsulation; inheritance and polymorphism; object and function overloading; recursive algorithms; data abstraction and structures.

Strongly Recommended: CS 1

Day	31664	MW	11:00-12:15	1013	KOMANETSKY	01/13-05/22	OP	V01
		Lab MW	12:30-1:45	1013		01/13-05/22	OP	
Day	32781	TTh	3:30-4:45	1054	STAFF	01/13-05/22	OP	V02
		Lab TTh	5:00-6:15	1054		01/13-05/22	OP	
Eve	31490	MW	6:30-7:45	1013	PENTCHEVA	01/13-05/22	OP	093
		Lab MW	8:00-9:15	1013		01/13-05/22	OP	

CS 7 INTRO TO COMPUTER PROGRAMMING 3.0 Units

An introductory course in computer programming concepts and fundamental coding skills using object-oriented languages like Python. Material includes problem-solving techniques, design of algorithms, and common programming constructs such as variables, expressions, input/output, decision-making, loops and arrays.

Day	31491	Wed	3:30-6:20	1054	PENTCHEVA	01/27-05/22	OP	LHI
			ONLINE/HYBRID			01/27-05/22	OP	

CS 7-LHI is a Late Start hybrid course. that meets from Jan 27-May 22. Students are required to meet on-campus Wednesdays from 3:30-6:20pm in Room 1054. They will complete the remainder of the course online. For more information, see the section titled "Online Learning" in this schedule, or go to <http://www.laspositascollege.edu/onlinelearning>.

CS 17 DISCRETE MATH STRUCTURES 4.0 Units

Designed for majors in mathematics and computer science, this course provides an introduction to discrete Science and their applications. Course content includes: Propositional and predicate logic; rules of inference; quantifiers; elements of integer number theory; set theory; methods of proof; induction; combinatorics and discrete probability; functions and relations; recursive definitions and recurrence relations; elements of graph theory and trees. Applications include: analysis of algorithms, Boolean algebras and digital logic circuits. Students who have completed, or are enrolled in, MATH 10 may not receive credit.

Prerequisite: MATH 1 and CS 1 with a minimum grade of C (May be taken concurrently)

A TI-84 or TI-83 Calculator may be required for this course. Consult with the instructor before buying a calculator for this course.

Day	31686	Tue	8:30-10:45	1060	STAFF	01/13-05/22	GR	V01
		Th	8:30-9:45	1060		01/13-05/22	GR	
		Th	9:55-10:45	1060		01/13-05/22	GR	

CS 20 ADV PROG W/DATA STRUCTURES/C++ 4.0 Units

Design and implementation of complex programs in C++ using a variety of fundamental data structures and algorithms. Includes the design and implementation recursive functions, of abstract data types, linked lists, stacks, queues, binary trees, hash tables, induction, searching and sorting algorithms, graphs, heaps and algorithm analysis.

Strongly Recommended: CS 2 with a minimum grade of C

Day	31897	MW	8:00-9:15	1054	MORENO	01/13-05/22	OP	V01
		Lab MW	9:30-10:45	1054		01/13-05/22	OP	
Eve	32077	MW	6:30-7:45	2416	STAFF	01/13-05/22	OP	093
		Lab MW	8:00-9:15	2416		01/13-05/22	OP	

CS 21 ASSEMBLY LANGUAGE PROGRAMMING 4.0 Units

Basics of machine architecture, cpu architecture and design, machine language, assembly language, operating system and higher level language interface. Data representation, instruction representation and execution, addressing techniques and use of macros. Space and time efficiency issues. Input/output including video modes. Procedures including parameter passing and linkage to higher level languages.

Prerequisite: CS 1 with a minimum grade of C

Day	30703	TTh	9:30-10:45	1013	KOMANETSKY	01/13-05/22	OP	V01
		Lab TTh	11:00-12:15	1013		01/13-05/22	OP	

CS 41 INTRO TO LINUX/LPI LINUX+ CERT 3.0 Units

This course provides hands-on training covering basic installation, management, configuration, documentation and hardware topics for the Linux/UNIX operating system on workstations in a network environment. The course includes comprehensive coverage of topics related to Linux distributions, installation, administration, X-Windows, and networking. Students who have completed or are enrolled in Computer Networking Technology 7401 may not receive credit.

Strongly Recommended: CNT 50 with a minimum grade of C

Eve	32078	Tue	6:00-8:20	805	DAOUD	01/13-05/22	OP	HY1
		Lab	ONLINE/HYBRID			01/13-05/22	OP	

CS 41-HY1 is a hybrid course. Students will meet on campus Tuesdays from 6:00-8:20pm in Room 805. They will be required to complete the remainder of the course online. For more information, see the section titled "Online Learning" in this schedule, or go to <http://www.laspositascollege.edu/onlinelearning>.

CS 43 PROFESSIONAL COMMUNICATIONS 3.0 Units

This course applies the principles of ethical and effective communication to the creation of letters, memos, emails, and written and oral reports for a variety of business situations. The course emphasizes critical thinking, planning, organizing, composing, and revising business documents using word processing software for written documents and presentation-graphics software to create and deliver professional-level oral presentations. Additional focus will be placed on developing interpersonal skills, team participation skills, and technical report writing skills. Students who have completed or are enrolled in Business 43, Computer Networking Technology 43, or Computer Information Systems 43 may not receive credit.

Prerequisite: ENG 1A with a minimum grade of C

Web 30346 ONLINE AUSTIN 01/13-05/22 OP DEI
CS 43-DEI is an online course. For more information, see the section titled "Online Learning" in this schedule, or go to <http://www.laspositascollege.edu/onlinelearning>.

CS 45 DATABASE PROGRAMMING 4.0 Units

This is a programming course that goes beyond mere "desktop" database management. Participants will learn how to design and manage cloud based databases and explore dynamic applications that interact with databases using compiled and interpreted client/server programming languages. Learn databases concepts, relational database principles, database design/modeling techniques and Structured Query Language (SQL).

Prerequisite: CS 1 or CS 7 or CS 31 with a minimum grade of C

Day	32588	TTh	2:00-3:15	1013	KOMANETSKY	01/13-05/22	OP	V01
		Lab TTh	3:30-4:45	1013		01/13-05/22	OP	

CS 47 CAPSTONE PROJECT 3.0 Units

This is intended as a culminating experience within a degree or certificate sequence. Working individually or in a small team, you will develop a large-scale work-like project, driven by client needs, and requiring planning, implementation, documentation and presentation of the solution. Based on client requirements, each student or student team will design and implement a solution in a systematic and organized manner, and/or steps. Each student or student team will also prepare relevant written materials and give an oral presentation of the final product.

Strongly Recommended: CS 1 or CS 31, CNT 52, CIS 43, CIS 9001, CIS 60, CIS 62.

Day	30575	By Arr	1.0 Hrs/Wk	tba	STAFF	01/13-05/22	OP	V01
		Lab By Arr	6.0 Hrs/Wk	tba		01/13-05/22	OP	

DANCE

DANC I INTRODUCTION TO DANCE 1.0 Units

Introduction to the dance technique specific to ballet, modern and jazz dance. Similarities and differences found in each dance form will be explored. The history of ballet, modern and jazz dance will be examined.

Day	33474	Lab TTh	2:00-3:15	4127	STAFF	01/13-05/22	OP	V01
-----	-------	---------	-----------	------	-------	-------------	----	-----

DANC 6A CHOREOGRAPHY FOR THE STAGE A 2.0 Units

Exploration of choreographic principles along with stage presentation leading to a full-length concert. Participation in dance works either as a choreographer or performer. Minimal

D/E	CRN	DAYS	TIMES	ROOM	INSTRUCTOR	DATES	CODES	SEC	D/E	CRN	DAYS	TIMES	ROOM	INSTRUCTOR	DATES	CODES	SEC
-----	-----	------	-------	------	------------	-------	-------	-----	-----	-----	------	-------	------	------------	-------	-------	-----

participation in technical and business aspects of production.

Strongly Recommended: DANC 5A and DANC 5B with a minimum grade of C

Day 33212 Lab TTh 11:00-1:50 4127 LLOYD 01/13-05/22 OP V01

DANC 6B CHOREOGRAPHY FOR THE STAGE B 2.0 Units

Choreograph dance works specifically for a full length stage production. Involved participation in the technical, creative and business aspects of stage production.

Strongly Recommended: DANC 5A and DANC 5B with a minimum grade of C

Day 33213 Lab TTh 11:00-1:50 4127 LLOYD 01/13-05/22 OP V01

EARLY CARE AND EDUCATION

ECE 40 SOCIAL & EMOTIONAL FOUNDATIONS 3.0 Units

This course will focus on the healthy social and emotional development of young children ages 0-8, as the foundation teacher in establishing learning environments that promote the healthy social and emotional development of young children, the underlying basis for quality teacher-child interactions.

Strongly Recommended: ECE 56 and ECE 62 with a minimum grade of C

Eve 33475 Wed 7:00-9:50 2470 STAFF 01/13-05/22 GR 093

ECE 50 EARLY CHILDHOOD PRINCIPLES 3.0 Units

Historical context and theoretical perspectives of developmentally appropriate practice in early care and education. Examines the role of the early childhood educator, identification of best practices for environmental design, curriculum, and teaching strategies. Explores constructive teacher-child interactions and relationships, the role of the family in education, culture and inclusion, professional ethics, career pathways and professional standards.

Day 32724 MW 9:30-10:45 2306 TAYLOR 01/13-05/22 GR V01

Eve 32725 Tue 7:00-9:50 2205 CAPORUSSO 01/13-05/22 GR 093

Web 32726 ONLINE TAYLOR 01/13-05/22 GR DE1

ECE 50-DE1 is an online course. For more information, see the section titled "Online Learning" in this schedule or go to <http://www.laspositascollege.edu/onlinelearning>.

Web 33567 ONLINE TAYLOR 01/13-05/22 GR DE2

ECE 50-DE2 is an online course. For more information, see the section titled "Online Learning" in this schedule or go to <http://www.laspositascollege.edu/onlinelearning>.

ECE 56 CHILD GROWTH AND DEVELOPMENT 3.0 Units

A study of the major physical, psychosocial, and cognitive/language developmental milestones for children, both typical and atypical, from conception through adolescence. There will be an emphasis on interactions between maturational processes and environmental factors. While studying developmental theory and investigative research methodologies, students will observe children, evaluate individual differences and analyze characteristics of development at various stages.

Day 32729 MW 11:00-12:15 2306 GARNER 01/13-05/22 GR V01

Eve 32727 Mon 7:00-9:50 2450 CAPORUSSO 01/13-05/22 GR 093

Web 32728 ONLINE GARNER 01/13-05/22 GR DE1

ECE 56-DE is an online course. For more information, see the section titled "Online Learning" in this schedule or go to <http://www.laspositascollege.edu/onlinelearning>.

ECE 60 INTRO. CHILD EXCEPTIONAL NEEDS 3.0 Units

Introduces the variations in development of infants and children with exceptional needs and the resulting impact on families. Includes an overview of historical and societal influences, laws relating to children with exceptional needs and the identification and referral process. Assessments, interventions and learning environments for infants and children with exceptional needs.

Prerequisite: ECE 56 with a minimum grade of C

Eve 33476 Th 7:00-9:50 2205 CAPORUSSO 01/13-05/22 GR 093

ECE 62 CHILD, FAMILY AND COMMUNITY 3.0 Units

The processes of socialization and identity development, focusing on the interrelationship of family, school, and community. Examines the influence of multiple societal contexts. Explores the role of collaboration between family, community, and schools in supporting children's development.

Day 32730 MW 1:00-2:15 2306 TAYLOR 01/13-05/22 GR V01

Eve 32732 Wed 7:00-9:50 2450 COSTELLO-CH 01/13-05/22 GR 093

Web 32731 ONLINE PETERSON 01/13-05/22 GR DE1

ECE 62-DE1 is an online course. For more information, see the section titled "Online Learning" in this schedule, or go to <http://www.laspositascollege.edu/onlinelearning>.

Sat 33477 Sat 8:30-1:00 2306 DEL AGUILA 01/13-04/11 GR WLC

Esta clase es bilingue. Para registrarse comuniquese con Ana Del Aguila 925-424-1187. This class is taught bilingually (English-Spanish). To register for this section contact Ana Del Aguila at 925-424-1187.

ECE 63 EARLY CHILDHOOD CURRICULUM 4.0 Units

This course offers students the opportunity for professional application of the principles of child growth and development in the study of play based, inclusive curriculum within the physical environment of the infant, toddler and preschool classrooms. The learning experiences will include program content pertaining to the use of materials, the facilitation and guidance of all children's experiences based on what is culturally and developmentally appropriate for children; utilizing best practices in meeting the children's physical, social, emotional, cognitive and creative needs.

Prerequisite: ECE 50 and ECE 56 with a minimum grade of C

Students must have a TB test completed within the last 4 years and show proof of MMR and dTAP vaccine for the first day of class.

Day 32733 TTh 12:30-1:45 2306 GARNER 01/13-05/22 GR V01

Lab Tue 9:15-12:15 2301 01/13-05/22 GR

Day 32735 TTh 12:30-1:45 2306 GARNER 01/13-05/22 GR V02

Lab Th 9:15-12:15 2301 01/13-05/22 GR

Eve 32734 Wed 7:00-9:50 2306 NATTRASS 01/13-05/22 GR 093

Lab Mon 7:00-9:50 2306 01/13-05/22 GR

ECE 69 CHILD STUDY: OBSERVATION 3.0 Units

This course focuses on the use of appropriate methods of assessment to document development, growth, play and learning in early childhood education settings. Students will utilize practical classroom experiences to apply a variety of methods to measure child progress, curriculum requirements, and program effectiveness. Methods include child portfolios, recording strategies, rating systems, and other tools that build on respecting and fostering all children's competence and meeting their individual needs.

Prerequisite: ECE 56 with a minimum grade of C

Eve 32736 Tue 7:00-9:50 2306 TURNER 01/13-05/22 GR 093

D/E	CRN	DAYS	TIMES	ROOM	INSTRUCTOR	DATES	CODES	SEC	D/E	CRN	DAYS	TIMES	ROOM	INSTRUCTOR	DATES	CODES	SEC
-----	-----	------	-------	------	------------	-------	-------	-----	-----	-----	------	-------	------	------------	-------	-------	-----

ECE 79 TEACHING IN A DIVERSE SOCIETY 3.0 Units

Examines the impact of various societal influences such as privilege, oppression, bias, and discrimination on the development of children's social and personal identity. Self-examination and reflection on values, beliefs and attitudes related to social identity, stereotypes, conscious and unconscious bias will be emphasized. Recognize and confront barriers that interfere with one's ability to work effectively with diverse populations of children and families. Enhance teacher skills for educating children in a pluralistic society. The class will focus heavily on anti-bias approaches to teaching, curriculum and family partnerships.

Strongly Recommended: ECE 62 with a minimum grade of C

Eve	32737	Th	7:00-9:50	2490	SALCEDA	01/13-05/22	GR	093
-----	-------	----	-----------	------	---------	-------------	----	-----

ECE 83 ADULT MENTORING AND SUPERVISOR 2.0 Units

Web	33478	ONLINE	VIRGILIO	01/13-05/22	GR	DEI
-----	-------	--------	----------	-------------	----	-----

ECE 83-DEI is an online course. For more information, see the section titled "Online Learning" in this schedule, or go to <http://www.laspositascollege.edu/onlinelearning>.

ECE 87 QUALITY ENVIRONMENTS INFANTS 3.0 Units

Applies current theory and research to the care and education of infants and toddlers in group care. Examines essential policies, classroom environments, caregiving principles and practices that lead to quality care and developmentally appropriate curriculum for infants and toddlers which is culturally sensitive and supports families.

Strongly Recommended: ECE 67 with a minimum grade of C

Eve	32738	Th	7:00-9:50	2306	COSTELLO-CH	01/13-05/22	OP	093
-----	-------	----	-----------	------	-------------	-------------	----	-----

ECE 90 PRACTICUM-SUPERVISED EXP. 4.0 Units

Practicum experience working with young children under the supervision of an ECE/CD faculty; Students will utilize practical classroom experiences to make connections between theory and practice, develop professional behaviors, and build comprehensive understanding of children and families. Child centered, play oriented approaches to teaching, learning and assessment and knowledge of curriculum content areas will be emphasized as student teachers design, implement and evaluate experiences that promote positive development and learning for all young children.

Prerequisite: ECE 50 and ECE 56 and ECE 62 and ECE 63 with a minimum grade of C

Students must have a TB Test completed and show proof of MMR and dTAP vaccine for the first day of class.

Sat	32739	Sat	2.0 hrsTBA	2302	GARNER	01/13-05/22	GR	HY1
		Lab TTh	1:45-5:00	tba		01/13-05/22	GR	

ECE 90-HY1 is a Hybrid class. Students will meet for lecture on the following Saturdays from 8:00am-12:30pm: January 18, February 8, March 14, April 11, May 9. The remainder of the lecture class will be taught online. Students must complete 108 hours of lab during the semester. Students will arrange 6.5 hours of lab per lab. Students placed at the Las Positas Child Development Center will complete their lab hours on Tuesday and Thursday afternoons from 1:45-5:00pm.

supply and demand analysis, marginal utility, elasticity, cost and revenue concepts, perfect and imperfect competition, international trade theory, pricing of the factors of production, poverty and income inequalities.

Prerequisite: MATH 55 or MATH 55B and ENG 104 with a minimum grade of C

Internet access required for all sections of ECON 1.

Day	30147	MW	12:30-1:45	1059	SHUMAKER	01/13-05/22	OP	V01
-----	-------	----	------------	------	----------	-------------	----	-----

Day	30513	TTh	11:00-12:15	1059	WEBSTER	01/13-05/22	OP	V03
-----	-------	-----	-------------	------	---------	-------------	----	-----

Web	30391	ONLINE	WEBSTER	01/13-05/22	OP	DE1
-----	-------	--------	---------	-------------	----	-----

ECON 1-DE1 is an online course. For more information, see the section titled "Online Learning" in this schedule, or go to <http://www.laspositascollege.edu/onlinelearning>.

Web	30279	ONLINE	WEBSTER	01/13-05/22	OP	DE2
-----	-------	--------	---------	-------------	----	-----

ECON 1-DE2 is an online course. For more information, see the sections titled "Online Learning" in this schedule, or go to <http://www.laspositascollege.edu/onlinelearning>.

Web	31750	ONLINE	WEBSTER	01/13-05/22	OP	DE3
-----	-------	--------	---------	-------------	----	-----

ECON 1-DE3 is an online course. For more information, see the section titled "Online Learning" in this schedule, or go to <http://www.laspositascollege.edu/onlinelearning>.

ECON 2 PRINCIPLES OF MACROECONOMICS 3.0 Units

Economic analysis of the theory of income determination, including national income analysis, business cycles, the consumption function, the multiplier, fiscal policy, monetary policy, money and banking, the public debt, economic growth and development, comparative economic systems and international trade.

Prerequisite: MATH 55 or MATH 55B and ENG 104 with a minimum grade of C

Internet access is required for ECON 2-V01.

Day	30169	MW	11:00-12:15	1059	WEBSTER	01/13-05/22	OP	V01
-----	-------	----	-------------	------	---------	-------------	----	-----

Day	30011	TTh	9:30-10:45	1059	SHUMAKER	01/13-05/22	OP	V02
-----	-------	-----	------------	------	----------	-------------	----	-----

Web	30467	ONLINE	WEBSTER	01/13-05/22	OP	DE1
-----	-------	--------	---------	-------------	----	-----

ECON 2-DE1 is an online course. For more information, see the section titled "Online Learning" in this schedule, or go to <http://www.laspositascollege.edu/onlinelearning>.

Web	31359	ONLINE	WEBSTER	01/13-05/22	OP	DE2
-----	-------	--------	---------	-------------	----	-----

ECON 2-DE2 is an online course. For more information, see the section titled "Online Learning" in this schedule, or go to <http://www.laspositascollege.edu/onlinelearning>.

ECON 10 GENERAL ECONOMICS 3.0 Units

Survey of the economic system of the United States, covering such macroeconomic and microeconomic topics as supply and demand, firms' output and pricing decisions, international trade, comparative economic systems, economic growth, business cycles, fiscal and monetary policy, labor, and money banking.

Eve	32196	Wed	6:00-8:50	2480	SHAHBAZI	01/13-05/22	OP	093
-----	-------	-----	-----------	------	----------	-------------	----	-----

EMERGENCY MEDICAL SERVICES

EMS 11 PARAMEDIC THEORY 2 6.0 Units

This course provided paramedic didactic education and training following the current Department of Transportation National Emergency Services Education Standards (NEMSES) and California Code of Regulations, Title 22. Includes cognitive

ECONOMICS

ECON 1 PRINCIPLES OF MICROECONOMICS 3.0 Units

Economic analysis of market systems, price theory, including

content associated with: Medical emergencies, special patient populations, and EMS operations.

Prerequisite: EMS 10 and EMS 12 with a minimum grade of C

Corequisite: EMS 13

Day 32145 TTh 9:00-11:50 2201 WONG 01/13-05/22 GR V01

EMS 11 is part of the EMT-Paramedic program. To enroll in this course, students must meet all prerequisites. Students may petition prerequisites if they have taken equivalent coursework at another institution. Petitions should be submitted with supporting documentation including transcripts to the Dean of Academic Services. As a Special Admissions program, interested students and prospective applicants are required to have all the program prerequisites completed at the time of application. In addition, due to requirements of the clinical training facilities, admitted students to the paramedic program must successfully pass a criminal background check and drug panel screening. Admitted students must also submit immunization records prior to course attendance showing verification of required vaccinations and or titers. To enroll in this course, students must also be currently certified as an EMT with the State of California (EMT registration with NREMT does not substitute for certification as an EMT with the State of California); possess a current AHA Basic Life Support CPR recognition card; meet all immunization requirements; be a minimum of 18 years of age or older; and be able to successfully pass a criminal history background investigation and drug screening administered by Verified Credentials at <http://www.verifiedcredentials.com>. For information about the program and to apply for enrollment, visit: <http://www.laspositascollege.edu/EMT/paramedictrainingprogram.php>

EMS 13 PARAMEDIC LABORATORY 2 4.0 Units

Provides the skills portion of the current Department of Transportation National Emergency Services Education Standards (NEMSES) and California Code of Regulations, Title 22. Includes psychomotor skills associated with: medical patient management, cardiac patient management, special populations, ems operations, and simulated patient encounters.

Prerequisite: EMS 10 and EMS 12 with a minimum grade of C

Corequisite: EMS 11 (EMS 11 provides the didactic knowledge needed to succeed in skills labs of EMS 13).

Day 32146 TTh 1:00-4:50 2201 WONG 01/13-05/22 P/N V01
Wed 9:00-12:50 2201 01/13-05/22 P/N

EMS 13 is part of the EMT-Paramedic program. To enroll in this course, students must meet all prerequisites. Students may petition prerequisites if they have taken equivalent coursework at another institution. Petitions should be submitted with supporting documentation including transcripts to the Dean of Academic Services. As a Special Admissions program, interested students and prospective applicants are required to have all the program prerequisites completed at the time of application. In addition, due to requirements of the clinical training facilities, admitted students to the paramedic program must successfully pass a criminal background check and drug panel screening. Admitted students must also submit immunization records prior to course attendance showing verification of required vaccinations and or titers. To enroll in this course, students must also be currently certified as an EMT with the State of California (EMT registration with NREMT does not substitute for certification as an EMT with the State of California); possess a current AHA Basic Life Support CPR recognition card; meet all immunization requirements; be a minimum of 18 years of age or older; and be able to successfully pass a criminal history background investigation and drug screening administered by Verified Credentials at <http://www.verifiedcredentials.com>. For information about the program and to apply for enrollment, visit: <http://www.laspositascollege.edu/EMT/paramedictrainingprogram.php>

EMS 14 PARAMEDIC CLINICAL PRACTICUM 6.0 Units

Provides instruction to enhance student's knowledge of emergency care in a clinical setting. Students are provided access

to adequate numbers of patients, proportionally distributed by illness, injury, gender, age, and common problems encountered in the delivery of emergency care appropriate to the level of the Emergency Medical Services Profession(s). Hospital/clinical experiences include the operating room, recovery room, intensive care unit, coronary care unit, labor and delivery room, pediatrics, and emergency department, and include exposure to an adequate number of pediatric, obstetric, psychiatric, and geriatric patients.

Prerequisite: EMS 10, EMS 11, EMS 12, EMS 13 with a minimum grade of C

Day 33100 By Arr 6.0 Hrs/Wk tba WONG 03/16-05/15 P/N FT2
EMS 14-FT2 is a Fast Track class that meets from Mar 16-May 15.

EMS 20 EMERGENCY MEDICAL TECHNICIAN 7.0 Units

Provides training in the foundation skills and knowledge required of the EMT scope of practice. The EMT certification is the minimum requirement for ambulance attendants and most entry-level firefighter positions. EMT certification is also required for entry into paramedic training. This training program is accredited by the Alameda County Emergency Medical Services District.

Prerequisite: EMS 30 with a minimum grade of B

Eve	31985	Tue	5:00-8:50	2201	STAFF	01/13-05/22	GR	093
		Sat	9:00-9:50	2201		01/13-05/22	GR	
Lab		Sat	10:00-2:20	2201		01/13-05/22	GR	

Students enrolled in EMS 20-093 must be present for an orientation in Room 2201 on Monday, January 6, 2020 from 11:00am to 2:00pm the first class meeting. All enrolled students must be at least 18 years of age to take this class. For this class, you will need records of immunizations or positive titers for Rubella, Rubeola (measles), Mumps, Varicella (chicken pox-vaccine must be given in two doses four weeks apart if student has no record of immunity), Hepatitis B (the student must have completed the complete Hepatitis B series of vaccinations injections) a Tetanus Booster within the past ten years, a Tetanus diphtheria and pertussis (Tdap) vaccine. This should be recorded on the Health Science Student Immunizations Form available at the Las Positas Health Center website <http://www.laspositascollege.edu/healthcenter/documents/Immunization2007.pdf> and at the Student Health Center. Prospective students who do not bring proof of required immunizations by the second week of class will be dropped by the Instructor. Student must also present a current AHA BLS CPR or equivalent, and proof of certification at the Emergency Medical Responder (EMR) level or equivalent and/ or proof of successful completion of EMS 30 with a grade of "B" or better. Prospective students that possess Emergency Medical Responder Certification and AHA BLS CPR or equivalent but did not complete EMS 30 must submit a petition to the Dean of Academic Services to waive the prerequisite. Students enrolled in EMS 20 must also submit to a Background Investigation through CastleBranch. The website is: <https://www.castlebranch.com>. The cost is \$20.00 and must be completed as a requirement from the hospitals that the college uses for the clinical observation portion of the class. Use Program Code: LC70, when submitting information and payment to Castle Branch. Students who fail the background check will not be able to complete the hospital educational component and shall not receive certification as an EMT from the Local EMS Agency. Students who fail the background check will not be able to complete the hospital educational component and shall not receive certification as an EMT from the Local EMS Agency. During the course students may be required to purchase personal protective equipment such as a respiratory protection mask for use during clinical observations. Details will be provided during the first week of class. Please send all information to Las Positas College, ATTENTION: EMS DEPARTMENT/SLPC DIVISION, Wendy McClendon. You may contact Ms. McClendon by phone at 925-424-1000 Extension 2046, or by email at wmclendon@laspositascollege.edu.

EMS 30 EMERGENCY MEDICAL RESPONDER 3.0 Units

Development of knowledge and skills necessary for recognizing and caring for victims in emergency situations, including cardiopulmonary resuscitation, patient assessment, cardiopulmonary resuscitation with the use of an automated external defibrillator, and prevention of disease transmission. Designed for emergency medical responders in the public safety field. Successful completion of the psycho-motor skills tests and successful completion of the course with a score of 80%, and achieving a score on the course summative final at (80%) qualifies the student for an Emergency Medical Responder (EMR) Certificate issued by the Emergency Care and Safety Institute (ECSI).

Strongly Recommended: EMS 70B with a minimum grade of C

Students will be assessed a \$2 fee at registration for the "Emergency Medical Responder" (90hr) Certification completion card from the Emergency Care and Safety Institute (ECSI).

Day	31983	Mon	9:00-10:50	2201	STAFF	01/13-05/22	GR	V01
Lab		Mon	11:00-1:50	2201		01/13-05/22	GR	
Eve	31984	Th	5:30-7:20	2201	STAFF	01/13-05/22	GR	093
Lab		Th	7:30-10:20	2201		01/13-05/22	GR	

EMS 62 BASIC MEDICAL TERMINOLOGY 3.0 Units

A basic course in medical terminology designed for students in studying for Allied Health careers such as Surgical Technologist, Paramedic, Pre-nursing, and Radiology Technician. Medical vocabulary with concentration on prefixes, suffixes, and root words. Emphasis on word dissection, definitions as applied to the body systems including the terminology used in surgical procedures. Concepts focus on comprehensive terminology, pronunciation and spelling core.

Day	31982	TTh	11:00-12:15	801	STAFF	01/13-05/22	GR	V01
Eve	30743	Mon	7:00-9:50	2480	STAFF	01/13-05/22	GR	093

EMS 70B CPR FOR HEALTH CARE PROVIDERS 0.5 Units

Development of knowledge, skills and personal judgment necessary to initiate and perform basic life support techniques as a health care professional. Successful completion of the knowledge and skills tests qualifies for an American Heart Association Basic Life Support Certificate.

Students will be assessed a \$4 fee at registration for the American Heart Association BLS HCP Course completion card.

Day	32566	Th	2:00-6:20	2203	STAFF	03/11-03/18	P/N	V01
<i>EMS 70B-V01 meets Mar 11-Mar 18 only.</i>								
Eve	32567	Mon	6:00-10:20	2203	STAFF	04/10-04/17	P/N	093
<i>EMS 70B-093 meets Apr 10-Apr 17 only.</i>								

EMS 91 EMERGENCY MED. TECH-REFRESHER 1.0 Units

Provides a refresher in the foundation and knowledge required of the EMT-1 scope of practice. The EMT-1 certification is the minimum requirement for ambulance attendants and most entry-level firefighter positions. EMT-1 certification is also required for entry into paramedic training. This refresher program is accredited by the Alameda County Emergency Medical Services Agency. The course provides 24 hours of continuing education units or a course completion certificate. Additionally, the course provides skills verification testing that EMTs must complete every two years.

Prerequisite: Proof of California State EMSA or National Registration Certification as an "Emergency Medical Technician." Certification must be current, or expired less than 6 months. Student may also present documentation from the National Registry of Emergency Medical Technicians

showing failure of initial three attempts at NREMT Certification Examination which now requires completion of EMS 91 for additional attempts to register for certification examination.

Day	31687	Fri	8:00-5:00	2201	STAFF	03/13-03/13	OP	LSI
Lab		Fri	8:00-5:00	2201		03/20-03/20	OP	
Lab		Fri	8:00-5:00	2201		04/03-04/03	OP	
Lab		Fri	8:00-5:00	2201		04/10-04/10	OP	

EMS 91-EMT Refresher is a short term class and will meet on the following Fridays from 8:00am to 5:00pm: March 13, March 20, April 3, and April 10. There will be no class meeting on March 29, 2019 due to the Spring Semester Break. Skills verification for the new EMT Scope of Practice in California effective July 1, 2017 will be included. Additional prerequisites may include possession of current NREMT Registration as an EMT within the past two years, or possession of current California State EMT Certification within the past two years.

ENGINEERING

ENGR 10 INTRODUCTION TO ENGINEERING 2.0 Units

Introduction to careers, activities, and topics related to the field of engineering, including computer applications design and problem solving.

Strongly Recommended: (Chabot) ENGL 1A.

Strongly Recommended: (LPC) ENG 1A with a minimum grade of C

Day	30577	Tue	1:00-2:50	1859	LEVEL	01/13-05/22	OP	V01
Eve	31689	Wed	6:30-8:20	1873	DECKER	01/13-05/22	OP	093

ENGR 22 ENGINEERING DESIGN GRAPHICS 3.0 Units

Introduction to the engineering-design process, and to technical-graphic communications tools used by engineers. Conceptual design of products. Development of spatial reasoning skills. Orthographic and axonometric projection-drawing techniques. Tolerance analysis for fabrication. Documentation of designs through engineering working-drawings. Use of Solidworks Computer-Assisted Drawing Software as a design tool. Basic CAD 3-dimensional solid-modeling.

Strongly Recommended: (Chabot) MTH 37 and, ENGL 1A

Strongly Recommended: (LPC) MATH 38 and ENG 1A

Day	30466	MW	10:00-10:50	1859	LEVEL	01/13-05/22	GR	V01
Lab		MW	11:00-12:20	1859		01/13-05/22	GR	
Eve	31414	TTh	4:30-5:20	1859	RAY	01/13-05/22	GR	093
Lab		TTh	5:30-6:50	2412		01/13-05/22	GR	

ENGR 35 STATICS 3.0 Units

A first course in engineering mechanics: properties of forces, moments, couples and resultants; two-and three-dimensional force systems acting on engineering structures in equilibrium; analysis of trusses, and beams; distributed forces, shear and bending moment diagrams, center of gravity, centroids, friction, and area and mass moments of inertia. Optional additional topics include fluid statics and cables.

Prerequisites: PHYS 1A and MATH 2 with a minimum grade of C

Strongly Recommended: ENGR 22 with a minimum grade of C

Day	32183	Th	1:00-2:50	1859	LEVEL	01/13-05/22	GR	V01
Lab		Fri	8:00-10:50	1822		01/13-05/22	GR	

ENGR 37 APPLIED STATICS AND MATERIALS 3.0 Units

Applied statics, mechanics of materials, and materials science.

D/E	CRN	DAYS	TIMES	ROOM	INSTRUCTOR	DATES	CODES	SEC	D/E	CRN	DAYS	TIMES	ROOM	INSTRUCTOR	DATES	CODES	SEC
-----	-----	------	-------	------	------------	-------	-------	-----	-----	-----	------	-------	------	------------	-------	-------	-----

Topics include stress, strain, types of forces, moments, moment of inertia, friction, truss structures, centers of gravity, modulus of elasticity, fasteners, chemistry and atomic structure, crystalline structures, phase diagrams. This course is designed for Engineering Technology majors; it is not intended for students pursuing the Engineering Requirements (Transfer Preparation) path.

Prerequisite: MATH 39 with a minimum grade of C

Day	31901	Tue	8:30-9:20	1822	LEVEL	01/13-05/22	OP	VTI
		Th	9:00-9:50	1822		01/13-05/22	OP	
		Lab Tue	9:30-12:20	1822		01/13-05/22	OP	

ENGR 44 INTRO TO CIRCUIT ANALYSIS 4.0 Units

Introduction to analysis methods for electrical circuits. Topics include general techniques for circuit analysis, simple resistive circuits, inductors, capacitors, mutual coupling, operational amplifier circuits, transient and steady-state analysis of first-order and second-order circuits. Lab topics include introduction to the use of electronic test equipment, designing, assembling, testing and simulating various resistive, LC, RC and operational amplifier circuits. Simulations are done with available circuit simulations codes such as PSpice.

Prerequisite: PHYS 1A with a minimum grade of C

Day	30182	MW	1:00-2:15	1816	LEVEL	01/13-05/22	GR	V01
		Lab Wed	2:30-5:20	1822		01/13-05/22	GR	

ENGR 46 MATERIALS OF ENGINEERING 4.0 Units

Application of principles of chemistry and physics to the properties of engineering materials; the relation of microstructure to mechanical, electrical, thermal and corrosion properties of metals; ceramics and polymers.

Prerequisite: PHYS 1A and CHEM 1A with a minimum grade of C

Day	30309	Tue	9:00-10:15	1874	DECKER	01/13-05/22	GR	V01
		Th	11:30-12:45	1859		01/13-05/22	GR	
		Lab Th	8:30-11:20	1831		01/13-05/22	GR	

ENGR 50 INTRO TO ELECTRONIC SYSTEMS 4.0 Units

Introduction to electrical and electronic systems and circuits. Overview of digital and analog electronics, semiconductor devices and software tools. Direct current and alternating current circuit analysis including Ohm's law and Kirchhoff's laws. Measurement and characterization of electronic systems, data collection, and reporting results. Comparing system and component performance to published specifications and developing troubleshooting techniques. Laboratory practice includes operation and proper use of standard test instruments.

Prerequisite: MATH 39 with a minimum grade of C

Day	33252	TTh	5:00-5:50	1859	NEWTON	01/13-05/22	GR	V01
		Lab TTh	6:00-8:50	1822		01/13-05/22	GR	

ENGLISH

ENG 1A CRITICAL READING AND COMP 3.0 Units

Integrated approach to reading, writing, and critical thinking intended to develop ability to read and write complex, college-level prose. Examination of ideas in relation to individual's worldview and contexts from which these ideas arise. Some research required.

Prerequisite: ENG 104 or NENG 204 with a minimum grade of Pass or ESL 25 with a minimum grade of C

Day	30237	Mon	8:00-9:50	1007	STAFF	01/13-05/22	GR	V01
		Wed	8:00-8:50	1007		01/13-05/22	GR	
		Lab Wed	8:55-9:45	1007		01/13-05/22	GR	
Day	30236	MW	8:00-9:15	104	STAFF	01/13-05/22	GR	V02
		Lab Mon	9:30-10:20	2412		01/13-05/22	GR	
Day	32129	MW	8:00-9:15	103	STAFF	01/13-05/22	GR	V03
		Lab Wed	9:30-10:20	2412		01/13-05/22	GR	
Day	30526	TTh	9:30-10:45	401B	STAFF	01/13-05/22	GR	V04
		Lab Th	8:30-9:20	401B		01/13-05/22	GR	
Day	32130	MW	9:30-10:45	105	STAFF	01/13-05/22	GR	V05
		Lab Wed	11:00-11:50	2412		01/13-05/22	GR	
Day	31933	Mon	10:00-11:40	1007	SATO	01/13-05/22	GR	V06
		Wed	10:00-10:50	1007		01/13-05/22	GR	
		Lab Wed	11:00-11:50	1007		01/13-05/22	GR	
Day	31431	MW	11:00-12:15	1602	OTT	01/13-05/22	GR	V07
		Lab Wed	12:30-1:20	2412		01/13-05/22	GR	
Day	31744	MW	12:30-1:45	1602	STAFF	01/13-05/22	GR	V08
		Lab Wed	2:00-2:50	2412		01/13-05/22	GR	
Day	30529	Mon	12:00-1:40	1007	SATO	01/13-05/22	GR	V09
		Wed	12:00-12:50	1007		01/13-05/22	GR	
		Lab Wed	1:00-1:50	1007		01/13-05/22	GR	
Day	30235	Mon	2:00-3:40	1007	STAFF	01/13-05/22	GR	V10
		Wed	2:00-2:50	1007		01/13-05/22	GR	
		Lab Wed	3:00-3:50	1007		01/13-05/22	GR	
Day	30241	Mon	3:30-5:20	1006	STAFF	01/13-05/22	GR	V11
		Wed	3:30-4:20	1006		01/13-05/22	GR	
		Lab Wed	4:30-5:20	1006		01/13-05/22	GR	
Day	30527	Tue	8:00-9:40	1007	OTT	01/13-05/22	GR	V12
		Th	8:00-8:50	1007		01/13-05/22	GR	
		Lab Th	9:00-9:50	1007		01/13-05/22	GR	
Day	30532	TTh	9:30-10:45	103	STAFF	01/13-05/22	GR	V13
		Lab Th	11:00-11:50	2412		01/13-05/22	GR	
Day	32131	Tue	10:00-11:40	1006	GAROUPA	01/13-05/22	GR	V14
		Th	10:00-10:50	1006		01/13-05/22	GR	
		Lab Th	11:00-11:50	1006		01/13-05/22	GR	
Day	30238	Tue	10:00-11:40	1007	STAFF	01/13-05/22	GR	V15
		Lab Th	10:00-10:50	1007		01/13-05/22	GR	
		Th	10:55-11:45	1007		01/13-05/22	GR	
Day	32525	Tue	12:00-1:50	1007	GAROUPA	01/13-05/22	GR	V16
		Th	12:00-12:50	1007		01/13-05/22	GR	
		Lab Th	12:55-1:50	1007		01/13-05/22	GR	
Day	31745	TTh	12:30-1:45	1053	STAFF	01/13-05/22	GR	V17
		Lab Th	2:00-2:50	2412		01/13-05/22	GR	
Day	30525	TTh	2:00-3:15	2460	STAFF	01/13-05/22	GR	V18
		Lab Tue	3:30-4:20	2416		01/13-05/22	GR	
Day	30528	Tue	2:00-3:50	1007	STAFF	01/13-05/22	GR	V19
		Th	2:00-2:50	1007		01/13-05/22	GR	
		Lab Th	3:00-3:50	1007		01/13-05/22	GR	
Day	31934	Tue	3:30-5:10	1006	STAFF	01/13-05/22	GR	V20
		Th	3:30-4:20	1006		01/13-05/22	GR	
		Lab Th	4:30-5:20	1006		01/13-05/22	GR	
Day	31364	MW	1:30-2:45	507	STAFF	01/13-05/22	GR	V21
		Lab Mon	3:00-3:50	2412		01/13-05/22	GR	

D/E	CRN	DAYS	TIMES	ROOM	INSTRUCTOR	DATES	CODES	SEC	D/E	CRN	DAYS	TIMES	ROOM	INSTRUCTOR	DATES	CODES	SEC
Day	33529	MW	2:00-3:15	401B	STAFF	01/13-05/22	GR	V22									
		Lab Th	3:30-4:20	401B		01/13-05/22	GR										
Eve	30491	Mon	5:00-6:40	1007	STAFF	01/13-05/22	GR	093									
		Wed	5:00-5:50	1007		01/13-05/22	GR										
		Lab Wed	6:00-6:50	1007		01/13-05/22	GR										
Eve	31936	Tue	6:00-7:40	1007	STAFF	01/13-05/22	GR	094									
		Th	6:00-6:50	1007		01/13-05/22	GR										
		Lab Th	7:00-7:50	1007		01/13-05/22	GR										
Eve	31365	Mon	7:00-9:50	103	GAROUPA	01/13-05/22	GR	HY1									
			ONLINE/HYBRID			01/13-05/22	GR										

ENG IA-HY1 is a hybrid course with an on-campus lecture that meets Mondays 7:00-9:50pm in room 103. The lab portion of the course will be conducted over the internet. For more information, see the section titled "Online Learning" in this schedule, or go to <http://www.laspositascollege.edu/onlinelearning>.

Eve	31935	Th	7:00-9:50	4212	STAFF	01/13-05/22	GR	HY2
		Lab	ONLINE/HYBRID			01/13-05/22	GR	

ENG IA-HY5 is a hybrid course with an on-campus lecture that meets Thursdays 7:00-9:50 p.m. in room 4212. The lab portion of the course will be conducted over the internet. For more information, see the section titled "Online Learning" in this schedule, or go to <http://www.laspositascollege.edu/onlinelearning>.

Web	30394	ONLINE	O'HERIN	01/13-05/22	GR	DE1
-----	-------	--------	---------	-------------	----	-----

ENG IA-DE1 is an online course. For more information, see the section titled "Online Learning" in this schedule, or go to <http://www.laspositascollege.edu/onlinelearning>.

Web	30490	ONLINE	O'HERIN	01/13-05/22	GR	DE2
-----	-------	--------	---------	-------------	----	-----

ENG IA-DE2 is an online course. For more information, see the section titled "Online Learning" in this schedule, or go to <http://www.laspositascollege.edu/onlinelearning>.

Web	31781	ONLINE	COLE	01/13-05/22	GR	DE3
-----	-------	--------	------	-------------	----	-----

ENG IA-DE3 is an online course. For more information, see the section titled "Online Learning" in this schedule, or go to <http://www.laspositascollege.edu/onlinelearning>.

Web	31937	ONLINE	COLE	01/13-05/22	GR	DE4
-----	-------	--------	------	-------------	----	-----

ENG IA-DE4 is an online course. For more information, see the section titled "Online Learning" in this schedule, or go to <http://www.laspositascollege.edu/onlinelearning>.

Web	31938	ONLINE	DRY	01/13-05/22	GR	DE5
-----	-------	--------	-----	-------------	----	-----

ENG IA-DE5 is an online course. For more information, see the section titled "Online Learning" in this schedule, or go to <http://www.laspositascollege.edu/onlinelearning>.

Web	31363	ONLINE	DRY	01/13-05/22	GR	DE6
-----	-------	--------	-----	-------------	----	-----

ENG IA-DE6 is an online course. For more information, see the section titled "Online Learning" in this schedule, or go to <http://www.laspositascollege.edu/onlinelearning>.

Web	32234	ONLINE	NASH	01/13-05/22	GR	DE7
-----	-------	--------	------	-------------	----	-----

ENG IA-DE7 is an online course. For more information, see the section titled "Online Learning" in this schedule, or go to <http://www.laspositascollege.edu/onlinelearning>.

ENG IAEX CRITICAL READING COMP EXPANDED 4.0 Units

Integrated approach to reading, writing, and critical thinking intended to develop ability to read and write complex, college-level prose. Examination of ideas in relation to individual's worldview and contexts from which these ideas arise. Some research required. Integrated approach to reading, writing, and critical thinking intended to develop ability to read and write complex, college-level prose. English IAEX provides

students with an extra unit of lab to support students in reading and writing complex, college-level prose. Students who have completed, or are enrolled in, ENG 1A may not receive credit.

Prerequisite: ENG 104 or ESL 25 with a minimum grade of C

Day	33253	MW	8:00-9:15	401A	OTT	01/13-05/22	GR	V01
		Lab MW	9:25-10:40	401A		01/13-05/22	GR	
Day	33254	TTh	8:00-9:15	401A	STAFF	01/13-05/22	GR	V02
		Lab TTh	9:25-10:40	401A		01/13-05/22	GR	
Day	33255	MW	11:00-12:15	401A	SPIRN	01/13-05/22	GR	V03
		Lab MW	12:25-1:40	401A		01/13-05/22	GR	
Day	33256	TTh	11:00-12:15	401A	BIELAWSKI	01/13-05/22	GR	V04
		Lab TTh	12:25-1:40	401A		01/13-05/22	GR	
Day	33257	MW	2:00-3:15	401A	EAGAN	01/13-05/22	GR	V05
		Lab MW	3:25-4:40	401A		01/13-05/22	GR	
Day	33530	MW	12:25-1:40	401B	COLE	01/13-05/22	GR	V06
		Lab MW	11:00-12:15	401B		01/13-05/22	GR	
Day	33531	TTh	2:00-3:15	401B	SATO	01/13-05/22	GR	V07
		Lab TTh	3:25-4:40	401B		01/13-05/22	GR	
Eve	33258	TTh	6:00-7:15	401A	STAFF	01/13-05/22	GR	094
		Lab TTh	7:25-8:40	401A		01/13-05/22	GR	

ENG 4 CRITICAL THINKING/WRITING LIT 3.0 Units

Develops critical thinking, reading, and writing skills as they apply to the analysis of fiction, poetry and drama; literary criticism; and related non-fiction from diverse cultural sources and perspectives. Emphasis on the techniques and principles of effective written argument as they apply to literature. Some research required.

Prerequisite: ENG 1A with a minimum grade of C

Day	31800	MW	11:00-12:15	1006	GONZALES	01/13-05/22	GR	P01
-----	-------	----	-------------	------	----------	-------------	----	-----

The above section is part of the Puente Program. For more information, or to register for the program, please contact Rafael Valle at rvalle@laspositascollege.edu

Day	32301	MW	11:00-12:15	106	STAFF	01/13-05/22	OP	U01
-----	-------	----	-------------	-----	-------	-------------	----	-----

This English course, developed for the Umoja Program, highlights the scholarship of Black thinkers and writers, including authors, essayists, poets, and lyricists. Interested students should contact Kimberly Burks at kburks@laspositascollege.edu or at (925) 424-1437.

Day	31959	MW	8:00-9:15	2450	STAFF	01/13-05/22	GR	V01
Day	32523	MW	9:30-10:45	1006	STAFF	01/13-05/22	GR	V02
Day	32766	MW	11:00-12:15	1814	GAROUPA	01/13-05/22	GR	V03
Day	31806	MW	12:30-1:45	2490	O'HERIN	01/13-05/22	GR	V04
Day	32235	MW	12:30-1:45	101	STAFF	01/13-05/22	GR	V05
Day	31808	MW	2:00-3:15	1006	STAFF	01/13-05/22	GR	V06
Day	31810	TTh	8:00-9:15	103	STAFF	01/13-05/22	GR	V07
Day	31960	TTh	8:00-9:15	1006	STAFF	01/13-05/22	GR	V08
Day	31812	TTh	9:30-10:45	2460	STAFF	01/13-05/22	GR	V09
Day	30399	TTh	12:30-1:45	402	STAFF	01/13-05/22	GR	V10
Day	31815	TTh	2:00-3:15	104	STAFF	01/13-05/22	GR	V11
Day	30383	Fri	8:00-10:50	1006	STAFF	01/13-05/22	GR	V12
Day	32693	MW	11:00-12:15	104	STAFF	01/13-05/22	GR	V13
Day	32942	MW	9:30-10:45	2480	STAFF	01/13-05/22	GR	V14
Eve	31794	Mon	6:00-8:50	1006	STAFF	01/13-05/22	GR	093
Eve	31746	Wed	6:00-8:50	1006	STAFF	01/13-05/22	GR	094
Eve	31797	Th	7:00-9:50	2480	STAFF	01/13-05/22	GR	095
Eve	32003	TTh	6:00-7:15	401B	STAFF	01/13-05/22	GR	096

D/E	CRN	DAYS	TIMES	ROOM	INSTRUCTOR	DATES	CODES	SEC	D/E	CRN	DAYS	TIMES	ROOM	INSTRUCTOR	DATES	CODES	SEC
-----	-----	------	-------	------	------------	-------	-------	-----	-----	-----	------	-------	------	------------	-------	-------	-----

Web 31798 ONLINE NASH 01/13-05/22 GR DE1
 ENG 4-DE1 is an online course. For more information, see the section titled "Online Learning" in this schedule, or go to <http://www.laspositascollege.edu/onlinelearning>.

Web 31799 ONLINE NASH 01/13-05/22 GR DE2
 ENG 4-DE2 is an online course. For more information, see the section titled "Online Learning" in this schedule, or go to <http://www.laspositascollege.edu/onlinelearning>.

Web 31747 ONLINE STAFF 01/13-05/22 GR DE3
 ENG 4-DE3 is an online course. For more information, see the section titled "Online Learning" in this schedule, or go to <http://www.laspositascollege.edu/onlinelearning>.

Web 31785 ONLINE STAFF 01/13-05/22 GR DE4
 ENG 4-DE4 is an online course. For more information, see the section titled "Online Learning" in this schedule, or go to <http://www.laspositascollege.edu/onlinelearning>.

Web 32524 ONLINE STAFF 01/13-05/22 GR DE5
 ENG 4-DE5 is an online course. For more information, see the section titled "Online Learning" in this schedule, or go to <http://www.laspositascollege.edu/onlinelearning>.

**Las Positas College
ENGLISH FLOW CHART**

Beginning Fall 2019, students are encouraged to enroll directly into a transfer-level English course. Students with a verifiable American high school GPA of 2.5 or higher are eligible for English 1A. All students are eligible for English 1AEX, which is an English 1A class with 2 additional lab hours of support per week. Students who want a semester of preparation before English 1A or 1AEX, or who wish to take a non-transferable English course, can take English 104. If English is not a student's native language, that student should take the English as a Second Language Assessment Test. See the LPC Assessment Center's guided self-placement website for more information.

(Optional)

NON-TRANSFERABLE ENGLISH

English 104
3 Hours Lecture + 3 Hours Lab
Per Week

TRANSFER-LEVEL ENGLISH

↓

2.5+
GPA

↓

Any
GPA

English 1A
3 Hours Lecture + 1 Hour Lab
Per Week

OR

English 1AEX
3 Hours Lecture + 3 Hours Lab
Per Week

↓

English 4 -or- English 7
3 Hours Lecture
Per Week

LANGUAGE AND RATIONALITY

A.A. REQUIREMENTS	6 Semester Units
ENGLISH COMPOSITION	
English 1A -or- English 1AEX.....	3 Units
AND	
WRITING AND CRITICAL THINKING	
English 4 (Fiction) -or- English 7 (Non-Fiction).....	3 Units
A.S. REQUIREMENTS	3 Semester Units
ENGLISH COMPOSITION	
English 1A -or- English 1AEX.....	3 Units
TRANSFER REQUIREMENTS	
Students should consult CSU GE and IGETC requirements or see a counselor	

ENG 7 CRITICAL THINKING/WRITING 3.0 Units
 Develops critical thinking, reading, and writing skills as they apply to the textual analysis of primary and secondary book-length works from a range of academic and cultural contexts. Emphasis on the techniques and principles of effective written argument in research-based writing across disciplines.

Prerequisite: ENG 1A with a minimum grade of C

Day	32293	MW	8:00-9:15	2480	STAFF	01/13-05/22	GR	V02
Day	31366	MW	9:30-10:45	4213	STAFF	01/13-05/22	GR	V03
Day	30321	MW	12:30-1:45	106	STAFF	01/13-05/22	GR	V04
Day	30240	MW	2:00-3:15	103	STAFF	01/13-05/22	GR	V05
Day	32132	TTh	8:00-9:15	106	STAFF	01/13-05/22	GR	V06
Day	30242	TTh	11:00-12:15	104	STAFF	01/13-05/22	GR	V07
Day	30311	TTh	12:30-1:45	1006	SPIRN	01/13-05/22	GR	V08
Day	31404	TTh	2:00-3:15	1006	STAFF	01/13-05/22	GR	V09
Day	32767	MW	11:00-12:15	402	STAFF	01/13-05/22	GR	V10
Day	32768	TTh	9:30-10:45	402	SPIRN	01/13-05/22	GR	V11
Eve	30492	Mon	7:00-9:50	106	STAFF	01/13-05/22	GR	094
Eve	31680	Wed	7:00-9:50	1602	STAFF	01/13-05/22	GR	095

Web 30239 ONLINE BIELAWSKI 01/13-05/22 GR DE1
 ENG 7-DE1 is an online course. For more information, see the section titled "Online Learning" in this schedule, or go to <http://www.laspositascollege.edu/onlinelearning>.

Web 31006 ONLINE STAFF 01/13-05/22 GR DE2
 ENG 7-DE2 is an online course. For more information, see the section titled "Online Learning" in this schedule, or go to <http://www.laspositascollege.edu/onlinelearning>.

Web 31939 ONLINE STAFF 01/13-05/22 GR DE3
 ENG 7-DE3 is an online course. For more information, see the section titled "Online Learning" in this schedule, or go to <http://www.laspositascollege.edu/onlinelearning>.

Web 32133 ONLINE STAFF 01/13-05/22 GR DE4
 ENG 7-DE4 is an online course. For more information, see the section titled "Online Learning" in this schedule, or go to <http://www.laspositascollege.edu/onlinelearning>.

Web 32564 ONLINE STAFF 01/13-05/22 GR DE5
 ENG 7-DE5 is an online course. For more information, see the section titled "Online Learning" in this schedule, or go to <http://www.laspositascollege.edu/onlinelearning>.

ENG 12A CRAFT OF WRITING FICTION 3.0 Units
 Practice in writing fiction. Developing internal and external sources for stories and novels; biographical sources, characterization, plot, points-of-view, narrative techniques; analysis and criticism of published writing and individual's own work.

Strongly Recommended: ENG 11 with a minimum grade of C and eligibility for ENG 1A.

Day	31801	MW	12:30-1:45	402	GONZALES	01/13-05/22	OP	V01
-----	-------	----	------------	-----	----------	-------------	----	-----

ENG 12B CRAFT OF WRITING FICT:INTERMED 3.0 Units

Practice in writing fiction at an intermediate level. Builds on the skills developed in English 12A by requiring the use of vivid description, specific detail, dynamic and rounded character development, consistent point of view, and logical plotting that avoids cliché. Focus on developing themes that create intellectual or emotional resonance. Expectation of sentence structure, grammar, and format accuracy. Develop internal and external sources for stories and novels; analysis and criticism of published short fiction and a book-length work; analysis and criticism of peer work and individual's own work. Requires submission for publication at the end of the semester. 3 hours.

Strongly Recommended: ENG 12A with a minimum grade of C and ENG 1A with a minimum grade of C

Day 31802 MW 12:30-1:45 402 GONZALES 01/13-05/22 OP V01

ENG 13A INTRO.CRAFT OF WRITING POETRY 3.0 Units

Practice in writing poetry, using materials drawn from published poetry and individual's own work for analysis and criticism, with a focus on techniques of revision.

Strongly Recommended: ENG 11 and ENG 1A

Day 32694 TTh 2:00-3:15 403 BIELAWSKI 01/13-05/22 OP V01

ENG 13B CRAFT OF WRITING POETRY: INTER 3.0 Units

Continued practice in writing poetry, using materials drawn from published poetry and individual's own work for analysis and criticism, with a focus on techniques of revision and submission for publication.

Prerequisite: ENG 13A with a minimum grade of C

Day 33649 TTh 2:00-3:15 403 BIELAWSKI 01/13-05/22 OP V01

ENG 19A JOURNAL OF ARTS AND WRITING A 3.0 Units

Creation of a literary-style student magazine. Practical training in the managing, editing, formatting, and printing of a literary magazine. Enrollment constitutes the staff of the magazine. Cross listed with MSCM 19A. A student who has successfully completed MSCM 19A cannot enroll in ENG 19A.

Day 31094 MW 11:00-11:50 2409 NASH 01/13-05/22 OP HDI
Lab ONLINE/HYBRID 01/13-05/22 OP

ENG 19A-HDI is a hybrid course. Classes will meet on Mondays and Wednesdays 11am-11:50am. The remainder of the course will be completed online. For more information, see the section titled "Online Learning" in this schedule, or go to <http://www.laspositascollege.edu/onlinelearning>.

ENG 19B JOURNAL OF ARTS AND WRITING B 3.0 Units

Creation of a literary-style student magazine. Practical intermediate-level training in the managing, editing, formatting, and printing of a literary supplement and/or magazine with a focus on the production process, including copy editing, design, layout, proofreading, working with the printer, and digital and print distribution. Enrollment constitutes the staff of the magazine. A student who has completed MSCM 19B cannot enroll in ENG 19B.

Prerequisite: ENG 19A or MSCM 19A with a minimum grade of C

Day 31109 MW 11:00-11:50 2409 NASH 01/13-05/22 OP HDI
Lab ONLINE/HYBRID 01/13-05/22 OP

ENG 19B-HDI is a hybrid course. Classes will meet on Mondays and Wednesdays 11am-11:50am. The remainder of the course will be completed online. For more information, see the section titled "Online Learning" in this schedule, or go to <http://www.laspositascollege.edu/onlinelearning>.

ENG 35 MODERN AMERICAN LITERATURE 3.0 Units

U.S. literature from the second half of the 19th century to the present, including poetry, drama, prose fiction, and essays. Emphasizes literary analysis and the exploration each work in relation to its social, cultural and historical contexts.

Prerequisite: ENG 1A with a minimum grade of C

Day 31642 TTh 11:00-12:15 2480 EAGAN 01/13-05/22 GR V01

ENG 104 INTEGRATED READNG & WRITING II 4.0 Units

An accelerated one-semester preparation in English for success in college. Integrates reading, critical thinking and writing assignments, using materials that present a variety of perspectives from across the curriculum.

Day 30751 MW 8:00-9:15 401B EAGAN 01/13-05/22 P/N V01
Lab MW 9:25-10:40 401B 01/13-05/22 P/N

Day 30767 Lab TTh 11:00-12:15 401B DRY 01/13-05/22 P/N V05

TTh 12:25-1:40 401B 01/13-05/22 P/N

Eve 32831 MW 6:00-7:15 401B STAFF 01/13-05/22 P/N 094

Lab MW 7:25-8:40 401B 01/13-05/22 P/N

ENGLISH AS A SECOND LANGUAGE

ESL 23 ADVANCED GRAMMAR 3.0 Units

This is a one-semester advanced grammar course for academic purposes. The course focuses on sentences, clauses, and phrases, verb tenses and forms, auxiliary verbs and modals, and grammar analysis to enhance reading comprehension.

Prerequisite: ESL 120B or NESL 220B and ESL 121B with a minimum grade of P or NESL 221B or placement through the ESL assessment process.

Students are advised to enroll concurrently in ESL 23 and ESL 24 or 25.

Eve 30698 Th 6:30-9:20 1056 STAFF 01/13-05/22 OP 093

ESL 24 ADV. READING AND COMPOSITION I 6.0 Units

This is the first semester of a one-year advanced reading and writing course for academic purposes. Emphasis is on critical reading techniques and writing expository essays as well as on grammar and vocabulary development.

Prerequisite: ESL 121B with a minimum grade of Pass or Placement through the ESL assessment process

Day 30564 MW 9:00-11:50 507 DEBAKCSY 01/13-05/22 OP V01

Lab Wed 12:00-12:50 600 01/13-05/22 OP

Day 30565 MW 9:00-11:50 1057 PODEVYN 01/13-05/22 OP V02

Lab Wed 12:00-12:50 600 01/13-05/22 OP

ESL 25 ADV. READING AND COMP. II 6.0 Units

This is the second semester of a one-year advanced reading and writing course for academic purposes. Emphasis is on critical reading and techniques of exposition, analysis, and argumentation.

Prerequisite: ESL 24 with a minimum grade of C or Placement through the ESL assessment process.

Day 30566 MW 9:00-11:50 1053 STAFF 01/13-05/22 OP V01

Lab Mon 12:00-12:50 600 01/13-05/22 OP

ESL 26 ADVANCED EDITING 3.0 Units

This course is designed to increase students' awareness of their own use of written language, and give them practice in

D/E	CRN	DAYS	TIMES	ROOM	INSTRUCTOR	DATES	CODES	SEC	D/E	CRN	DAYS	TIMES	ROOM	INSTRUCTOR	DATES	CODES	SEC
-----	-----	------	-------	------	------------	-------	-------	-----	-----	-----	------	-------	------	------------	-------	-------	-----

editing strategies which will enable them to use linguistic forms accurately, meaningfully and appropriately in written expression.

Prerequisite: ESL 120B or NESL 220B and ESL 121B or NESL 221B with a minimum grade of P or placement through the ESL assessment process.

Students are advised to enroll concurrently in ESL 26 and ESL 24 or 25.

Day	30167	Fri	9:30-12:20	1053	STAFF	01/13-05/22	OP	V01
-----	-------	-----	------------	------	-------	-------------	----	-----

ESL 100 BEGINNING SPELLING FOR ENGLISH 1.0 Units

This is a one semester beginning spelling class, designed to enable English language learners to recognize and use beginning sound/spelling patterns in English, develop an understanding of the sounds and symbols of English, including open/closed syllables, short and long vowel sounds, consonant and consonant cluster sounds, as well as the spelling of homophones and other problem words in everyday English. The course will also focus on basic dictionary skills to improve student autonomy.

Day	33312	Wed	12:00-12:50	1053	STAFF	01/13-05/22	P/N	V01
-----	-------	-----	-------------	------	-------	-------------	-----	-----

ESL 110 BEGINNING VOCABULARY SKILLS 1.0 Units

This is a beginning level vocabulary skills class, designed to enable English language learners to improve language proficiency by learning new vocabulary and developing vocabulary-building skills. The class will focus on the 0-1000 most common words in English, dictionary skills, and beginning morphology including prefixes, suffixes and roots.

Day	33311	Tue	9:30-10:20	1052	STAFF	01/13-05/22	P/N	V01
		Lab Tue	10:30-11:20	1052		01/13-05/22	P/N	

ESL 115 INTERMEDIATE VOCABULARY SKILLS 1.0 Units

This is an intermediate level vocabulary skills class, designed to enable English language learners to improve language proficiency by learning new vocabulary and developing vocabulary-building skills. The class will focus on the 1000-2000 most common words in English, dictionary skills, and intermediate morphology including prefixes, suffixes and roots.

Prerequisite: ESL 131B with a minimum grade of P or placement through assessment or NESL 231B with a minimum grade of P

Day	33310	Mon	9:30-10:20	503	STAFF	01/13-05/22	P/N	V01
		Mon	10:30-11:20	503		01/13-05/22	P/N	

ESL 120A INTERM GRAMMAR/READ,WRITE I 3.0 Units

This is the first semester of a one-year course in intermediate grammar for academic writing and reading designed to enable students to use linguistic forms accurately, meaningfully and appropriately in written expression. This course focuses on compound and complex sentences, verb tense and form, and modals. This course also emphasizes grammar analysis, detecting and correcting grammatical errors, and self-editing skills.

Prerequisite: ESL 130B or appropriate skill level demonstrated through the ESL assessment process. *Students are advised to enroll concurrently in ESL 120A and 121A and 123 or 126.*

Day	31350	Fri	9:30-12:20	1051	STAFF	01/13-05/22	P/N	V01
Eve	31351	Fri	6:30-9:20	1051	STAFF	01/13-05/22	P/N	093

ESL 120B INTERM GRAMMAR/READ,WRITE II 3.0 Units

This is the second semester of a one-year course in intermediate grammar for academic writing and reading designed to enable students to use linguistic forms accurately, meaningfully and appropriately in written expression. The course focuses on compound and complex sentences and short paragraphs, overview of the verb tense system in English, verb forms with gerunds and infinitives, verb forms in modifying phrases, and

modals. This course also emphasizes analyzing grammar and meaning, detecting and correcting grammatical errors, and self-editing skills.

Prerequisite: ESL 120A or appropriate skill level demonstrated through the ESL assessment process. *Students are advised to enroll concurrently in ESL 120B, 121B, and 123 or 126.*

Day	31352	Fri	9:30-12:20	1056	LEHR	01/13-05/22	P/N	V01
Eve	31353	Fri	6:30-9:20	1053	CHAN	01/13-05/22	P/N	093

ESL 121A INTERM. READING AND WRITING I 6.0 Units

This is the first semester of a one-year course in intermediate academic writing and reading. Classes will focus on writing sentences, paragraphs and compositions, developing strategies for reading comprehension and flexibility, on interactive reading, and on academic vocabulary development. Students will develop cultural understanding, vocabulary, and fluency through a variety of academic writing and reading tasks.

Prerequisite: ESL 131B with a minimum grade of Pass or placement through the ESL assessment process.

Students are advised to enroll concurrently in ESL 120A, 121A and 123 or 126.

Day	30567	TTh	9:00-11:50	1008	BRICKMAN	01/13-05/22	P/N	V01
		Lab Th	12:00-12:50	600		01/13-05/22	P/N	
Eve	31682	MW	6:30-9:20	1053	BRICKMAN	01/13-05/22	P/N	093
		Lab Wed	5:30-6:20	1053		01/13-05/22	P/N	

ESL 121B INTERM. READING AND WRITING II 6.0 Units

This is the second semester of a one-year course in intermediate academic writing and reading. Classes will focus on writing sentences, paragraphs and compositions, developing strategies for reading comprehension and flexibility, on interactive reading, and academic vocabulary development. Students will develop cultural understanding and fluency through a variety of academic writing and reading tasks.

Prerequisite: ESL 121A with a minimum grade of C or placement through the ESL assessment process.

Students are advised to enroll concurrently in ESL 120B, 121B and 123 or 126.

Day	31643	TTh	9:00-11:50	2203	MCGURK	01/13-05/22	P/N	V01
		Lab Tue	12:00-12:50	600		01/13-05/22	P/N	
Day	32239	TTh	9:00-11:50	1053	PABLEY	01/13-05/22	P/N	V02
		Lab Tue	12:00-12:50	600		01/13-05/22	P/N	

ESL 123 INTERMEDIATE ORAL COMMUNICA 2.0 Units

This is an intermediate level oral communication course. This course will enable students to use linguistic forms accurately, meaningfully and appropriately, emphasizing academic listening and speaking skills: listening and speaking in small groups, listening to short lectures on academic topics, learning academic vocabulary and expressions, making presentations on new topics.

Prerequisite: ESL 130B, ESL 131B, ESL 133 or an appropriate skill level demonstrated through the ESL assessment process.

Day	31955	Sat	9:30-11:20	1053	STAFF	01/13-05/22	P/N	V01
		Lab Sat	11:30-12:20	1053		01/13-05/22	P/N	

ESL 126 PRONUNCIATION OF ENGLISH 2.0 Units

Focused practice on recognizing and producing individual speech sounds, stress patterns, rhythm and intonation patterns, and grammatical signals through activities such as oral presentations, role play, authentic dialogue, and reading presentations

Prerequisite: ESL 130B or ESL 131B or ESL 136 with a minimum grade of P or placement through ESL assessment process

D/E	CRN	DAYS	TIMES	ROOM	INSTRUCTOR	DATES	CODES	SEC	D/E	CRN	DAYS	TIMES	ROOM	INSTRUCTOR	DATES	CODES	SEC
-----	-----	------	-------	------	------------	-------	-------	-----	-----	-----	------	-------	------	------------	-------	-------	-----

Day	31013	Wed	1:00-2:50	1008	STAFF	01/13-05/22	P/N	V01
Lab		Wed	3:00-3:50	1008		01/13-05/22	P/N	

ESL 130A BEG GRAMMAR/WRITE, READ I 3.0 Units

This is the first semester of a one-year course in beginning grammar for academic purposes designed to enable students to understand and use English accurately, meaningfully and appropriately. The course focuses on the connection between vocabulary and grammar, simple and compound sentences, phrases, verb forms, and verb tenses, especially simple present, simple past, and present progressive.

Strongly Recommended: Placement through the ESL assessment process

Students are advised to enroll concurrently in ESL 130A, 131A, and 133 or 136.

Day	31354	Fri	9:30-12:40	1057	STAFF	01/27-05/22	P/N	LSI
-----	-------	-----	------------	------	-------	-------------	-----	-----

ESL 130A-LSI is a Late Start course that meets from Jan 27-May 22.

Eve	32072	Fri	6:30-9:20	1056	STAFF	01/13-05/22	P/N	093
-----	-------	-----	-----------	------	-------	-------------	-----	-----

ESL 130B BEG GRAMMAR/READ/WRITE II 3.0 Units

This is the second semester of a one-year course in beginning grammar for academic purposes designed to enable students to identify and use linguistic forms accurately, meaningfully and appropriately in written expression. The course focuses on simple and compound sentences, word order, verb tenses: simple present, past, and future as well as present and past progressive, verb forms, modals, phrases, and vocabulary development.

Prerequisite: ESL 130A or NESL 230A with a minimum grade of P or placement through the ESL assessment process.

Students are advised to enroll concurrently in ESL 130B, 131B, and 133 or 136.

Day	31355	Fri	9:30-12:20	1058	STAFF	01/13-05/22	P/N	V01
-----	-------	-----	------------	------	-------	-------------	-----	-----

Eve	31356	Fri	6:30-9:20	1056	STAFF	01/13-05/22	P/N	093
-----	-------	-----	-----------	------	-------	-------------	-----	-----

ESL 131A BEGINNING READING AND WRITING 6.0 Units

This is the first semester of a one-year course in beginning academic writing and reading. Classes will focus on writing simple and compound sentences in short paragraphs, on developing strategies for increasing reading comprehension and flexibility, on interactive reading, and on developing academic vocabulary. Students will develop cultural understanding and fluency through a variety of writing and reading tasks.

Strongly Recommended: Appropriate skill level demonstrated through the ESL assessment process.

Students are advised to enroll concurrently in ESL 131A, 130A, and 133 or 136.

Day	30569	MW	9:00-11:50	2203	PAYNE	01/13-05/22	P/N	V01
-----	-------	----	------------	------	-------	-------------	-----	-----

Lab		Mon	12:00-12:50	600		01/13-05/22	P/N	
-----	--	-----	-------------	-----	--	-------------	-----	--

Eve	33568	TTh	6:30-9:20	1053	PAYNE	01/13-05/22	P/N	093
-----	-------	-----	-----------	------	-------	-------------	-----	-----

Lab		Tue	5:30-6:20	1053		01/13-05/22	P/N	
-----	--	-----	-----------	------	--	-------------	-----	--

ESL 131B HIGH-BEG. READING AND WRITING 6.0 Units

This is the second semester of a one-year course in beginning academic writing and reading. Classes will focus on writing simple, compound, and complex sentences in structured paragraphs, on developing strategies for increasing reading comprehension and flexibility, on interactive reading, and on developing academic vocabulary. Students will develop cultural understanding and fluency through a variety of writing and reading tasks.

Prerequisite: ESL 131A or NESL 231A completed with a minimum grade of Pass or placement through the ESL assessment process.

Students are advised to enroll concurrently in ESL 131B and 130B, and 133 or 136.

Day	30165	MW	9:00-11:50	1008	MCGURK	01/13-05/22	P/N	V01
-----	-------	----	------------	------	--------	-------------	-----	-----

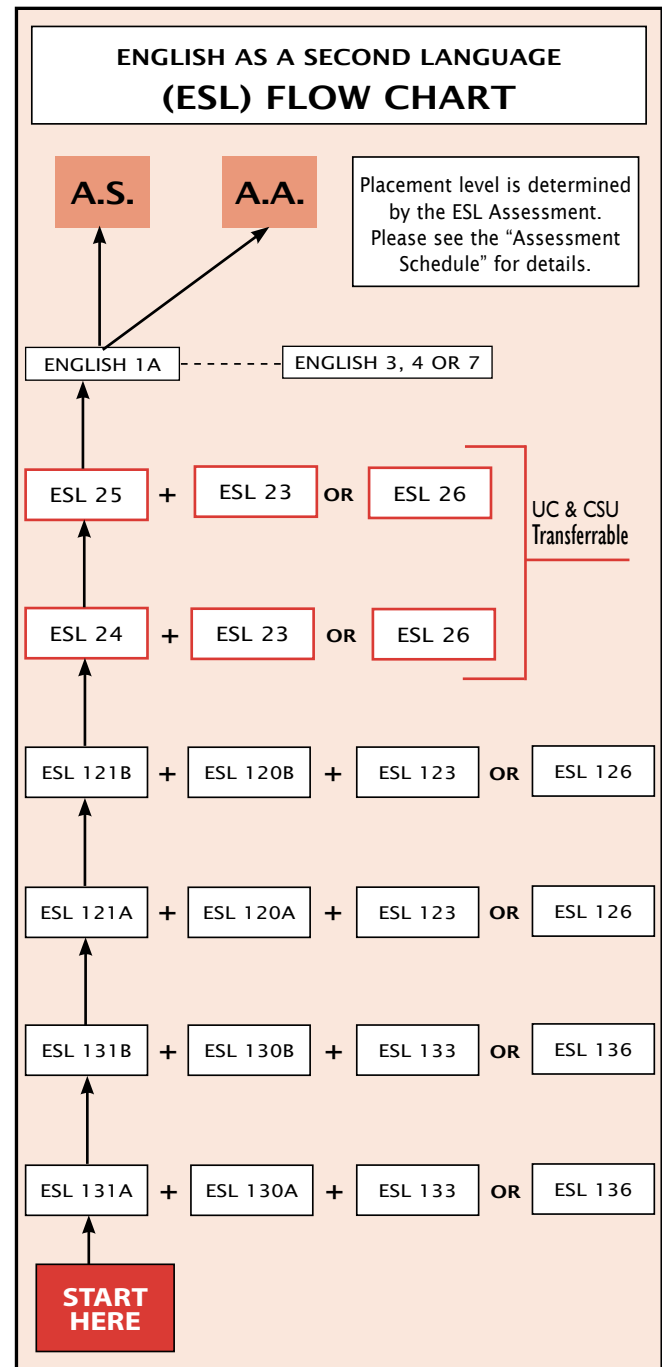
Lab		Mon	12:00-12:50	600		01/13-05/22	P/N	
-----	--	-----	-------------	-----	--	-------------	-----	--

Day	32740	MW	9:00-11:50	1058	BARLOW	01/13-05/22	P/N	V02
-----	-------	----	------------	------	--------	-------------	-----	-----

Lab		Mon	12:00-12:50	600		01/13-05/22	P/N	
-----	--	-----	-------------	-----	--	-------------	-----	--

ESL 133 BEGINNING ORAL COMMUNICATION 2.0 Units

This is a beginning oral communication course. This course will enable students to use English accurately, meaningfully and appropriately, emphasizing conversational skills: listening and speaking in small groups, using new grammar structures, learning new words and expressions, comprehending and using



idiomatic expressions.

Strongly Recommended: placement through the ESL assessment process.

Eve	33309	Mon	5:30-7:20	1008	PAYNE	01/13-05/22	P/N	093
Lab		Mon	7:30-8:20	1058		01/13-05/22	P/N	

ESL 136 PRONUNCIATION AND FLUENCY 2.0 Units

Focused practice on recognizing and producing individual speech sounds, stress patterns, rhythm and intonation patterns, and grammatical signals through activities such as oral presentations, role play, authentic dialogue, and presentations. Students will focus on developing listener friendly pronunciation. Course content includes individual as well as group work.

Strongly Recommended: Placement through the ESL assessment process.

Sat	31644	Sat	9:30-11:20	1056	CHAN	01/13-05/22	OP	V01
Lab		Sat	11:30-12:20	1056		01/13-05/22	OP	

ENVIRONMENTAL STUDIES

EVST 5 ENERGY AND SUSTAINABILITY 3.0 Units

Introduction and exploration of Energy production, utilization, management, and the effects on society, and the environment. This course will also compare and contrast current and future renewable and nonrenewable methods of energy generation, auditing, and conservation.

Strongly Recommended: Eligibility for ENG 1A

Day	31898	MW	12:30-1:45	1051	HARPELL	01/13-05/22	OP	V01
-----	-------	----	------------	------	---------	-------------	----	-----

FIRE SERVICE TECHNOLOGY

FST 1 FIRE PROTECTION ORGANIZATION 3.0 Units

This course provides an overview to fire protection and emergency services, career opportunities in fire protection and related fields, culture and history of emergency services, fire loss analysis, organization and function of public and private fire protection services, fire departments as part of local government, laws and regulations affecting the fire service; fire service nomenclature, specific fire protection functions, basic fire chemistry and physics, introduction to fire protection systems, introduction to fire strategy and tactics, and life safety initiatives.

Eve	33409	Mon	7:30-10:20	1056	SIERRA	01/13-05/22	GR	093
-----	-------	-----	------------	------	--------	-------------	----	-----

FST 2 PRINCIPLES OF FIRE SAFETY 3.0 Units

This course introduces the basic principles and history related to the national firefighter life safety initiatives, focusing on the need for cultural and behavior change throughout the emergency services; assessing fire dangers and handling common fire situations; risk abatement and personal preparation for unforeseen fire emergencies; roles and responsibilities in educating the public on fire safety; development of a survival attitude using problem-solving techniques for increased situational awareness and self-reliance in an emergency.

Day	33410	Mon	1:00-3:50	104	SIERRA	01/13-05/22	GR	V01
-----	-------	-----	-----------	-----	--------	-------------	----	-----

FST 3 FIRE BEHAVIOR AND COMBUSTION 3.0 Units

Theory and fundamentals of why fires start, spread, and are controlled. An in-depth study of fire chemistry and fire physics,

characteristics of materials, extinguishing agents, and fire control techniques.

Day	33411	Thu	9:00-11:50	1051	ZOLFARELLI	01/13-05/22	GR	V01
-----	-------	-----	------------	------	------------	-------------	----	-----

FST 4 FIRE PREVENTION 3.0 Units

Provides fundamental knowledge relating to the field of fire prevention. Topics include history and philosophy of fire prevention and organization, organization and operation of a fire prevention bureau, use and applications fire codes and standards, plans review, fire inspections, identification and correction of fire hazards, fire and life safety education, and fire investigation.

Strongly Recommended: FST 1 with a minimum grade of C

Eve	33412	Wed	7:30-10:20	1056	CATANO	01/13-05/22	GR	093
-----	-------	-----	------------	------	--------	-------------	----	-----

FST 5 FIRE PROTECTION SYSTEMS 3.0 Units

This course provides information relating to the features of design, and operations of fire alarm systems, water-based suppression systems, special hazard fire suppression systems and water supply for fire protection, smoke and thermal detection systems. Installation, testing and maintenance of automatic or manual protection systems and water supply for sprinkler and standpipe systems and portable fire extinguishers.

Day	33413	Tue	2:00-4:50	1056	SIERRA	01/13-05/22	GR	V01
-----	-------	-----	-----------	------	--------	-------------	----	-----

FST 6 CONSTRUCTION FIRE PROTECTION 3.0 Units

This course provides the components of building construction related to fire and life safety. The elements of construction and design of structures are shown to be key factors when inspecting buildings, preplanning fire operations, and operating at fire and collapse emergencies. Development and evolution of building and fire codes will be studied in their relationship to past fires and collapses in residential, commercial, and industrial occupancies.

Strongly Recommended: FST 1 with a minimum grade of C

Day	33414	Thu	2:00-4:50	1056	SIERRA	01/13-05/22	GR	V01
-----	-------	-----	-----------	------	--------	-------------	----	-----

FST 11 EAST BAY FIREFIGHTER ACADEMY 16.0 Units

This course provides the skills and knowledge needed for the entry-level firefighter, career or volunteer, to perform his/her duties safely, effectively, and competently. The curriculum is based on the NFPA 1001 Standards for Fire Fighter Professional Qualifications, the NFPA 1051 Standard for Wildland Fire Fighter Professional Qualifications, and the NFPA 472 Standard for Competence of Responder to Hazardous Materials/Weapons themes of the California State Fire Fighter I curriculum are: general knowledge germane to the profession, fire department communications, fire ground operations, rescue operations, preparedness and maintenance, wildland suppression activities, and hazardous materials/WMD. The course emphasizes the requirements of Firefighter I training, International Fire Service Accreditation Congress (IFSAC) standards, Professional Qualifications (ProBoard) requirements, and Cal Fire Wildland Firefighter-Basic training. This course, combined with Firefighter I Academy Skills Review and Certification, satisfies all training requirements for the IFSAC Firefighter I certification. Certificates stating completion Fire Fighter I Academy and Cal Fire Basic Firefighter issued with a grade "B" or better.

Prerequisite: EMS 20 or EMS 30 or valid EMT or Paramedic cards and FST 1, FST FSC1 with a minimum grade of C or a valid CPAT or BIDDLE physical agility test or equivalent physical conditioning assessment certificate.

Eve	32568	TTh	5:30-10:20	104	SIERRA	01/13-05/22	GR	093
		Sat	8:00-6:15	*		01/13-05/22	GR	
		Sun	8:00-6:15	*		01/13-05/22	GR	

D/E	CRN	DAYS	TIMES	ROOM	INSTRUCTOR	DATES	CODES	SEC	D/E	CRN	DAYS	TIMES	ROOM	INSTRUCTOR	DATES	CODES	SEC
-----	-----	------	-------	------	------------	-------	-------	-----	-----	-----	------	-------	------	------------	-------	-------	-----

*Portions of this course will be held offsite at Livermore Pleasanton's FIRE-Drill Tower, 3301 Busch Rd, Pleasanton, CA

LPC Fire Academy has a **mandatory orientation on Sat, Dec 7, 2019 from 9am-5pm in Building 1000, Room 1056.** Please note that in order to accommodate Training, SOME Fridays and Holidays might be included in the delivery of this course and some dates MIGHT need to be adjusted. The projected cost of this Fire Academy is around \$3571, this is subject to change without notice. This Fire Academy has certificate fees from SFT (Auto Ex, FF Safety/Survival/LARRO/FC3/Hazmat/SFT FFI testing fee, etc) projected to be around \$525-\$600 total. We strongly encourage our Students (CADETS) to apply for financial aid to determine eligibility of funds that might help pay for this Fire Academy. Please follow this link: <https://lafsa.ed.gov>. Questions please refer to our website or email German Sierra, FST Program Coordinator at gsierra@laspositascollege.edu.

FST FSC1 FIRE SERVICE CONDITIONING & PH 1.0 Units

This course is an introduction to the components of physical fitness development and conditioning, with an emphasis in preparing students for the physical agility performance and testing standards required of "Emergency First Responder" Candidates entering into Police or Fire Academies. Students will be presented instruction on proper warm-up and stretching techniques, how to maintain and develop the components of fitness through increased muscular strength and muscular endurance, cardiovascular endurance and recovery, and increased flexibility and balance. Students will be introduced to Circuit Training and will also receive skills instruction on various testing parameters of the Nationally approved and recognized Certified Physical Agility Test (CPAT). Students will additionally receive instruction on various Tools of the Trade (i.e., Ladders, Fire Hose, SCBA) for developing proper skills in handling, lifting and carrying techniques as well as developing cardio-respiratory control and aerobic conditioning while wearing a Self-Contained Breathing Apparatus (SCBA) under conditions of physical exertion.

Eve	33415	Mon	4:00-6:50	801	KRAUSE/FREE	01/13-05/22	GR	093
-----	-------	-----	-----------	-----	-------------	-------------	----	-----

FRENCH

FREN 1B ELEMENTARY FRENCH 5.0 Units

This is the second semester of the introductory level course and will enable students to continue to learn to speak, read and write elementary level French as well as to understand the spoken language. Students are introduced to concepts of grammar, vocabulary and verb tenses in a variety of auditory, visual and written contexts.

Prerequisite: FREN 1A with a minimum grade of C or appropriate skill level demonstrated through the assessment process.

Eve	33479	Tue	6:30-9:20	1059	ALLIBAND-MC	01/13-05/22	OP	HY1
			ONLINE/HYBRID			01/13-05/22	OP	

FREN 1B-HY1 is a hybrid course. Students will meet on campus Tuesdays 6:30-9:20pm in Room 1059. They will be required to complete the remainder of the course online. For more information, see the section titled "Online Learning" in this schedule, or go to <http://www.laspositascollege.edu/onlinelearning>.

GEOGRAPHY

GEOG 1 INTRO TO PHYSICAL GEOGRAPHY 3.0 Units

This course is a spatial study of the Earth's dynamic physical

system and processes. Topics include: Earth-sun geometry, weather, climate, water, landforms, soil, and the biosphere with emphasis on spatial characteristics, change over time, interactions between environmental components, and human-environment interactions. Tools of geographic inquiry are also briefly covered; they include maps, remote sensing, Geographic Information Systems (GIS) and Global Positioning Systems (GPS).

Day	30015	MW	9:30-10:45	1011	ORF	01/13-05/22	GR	V01
Day	30397	TTh	2:00-3:15	1826	ORF	01/13-05/22	GR	V02
Eve	32504	Mon	7:00-9:50	1826	LIRENSO	01/13-05/22	GR	093

Web 30588 ONLINE ORF 01/13-05/22 GR DE1
GEOG 1-DE1 is an online course. For more information, see the section titled "Online Learning" in this schedule, or go to <http://www.laspositascollege.edu/onlinelearning>.

Web 31357 ONLINE ORF 01/13-05/22 GR DE2
GEOG 1-DE2 is an online course. For more information, see the section titled "Online Learning" in this schedule, or go to <http://www.laspositascollege.edu/onlinelearning>.

GEOG 1L INTRO. PHYSICAL GEOGRAPHY LAB 1.0 Units

This course is designed to provide supplemental exercises in topics covered in physical geography lecture. Lab experience will include map analysis and interpretation, weather prognostication, landform processes and evolution, tectonics, biogeography, and habitat analysis.

Prerequisite: GEOG 1 with a minimum grade of C (may be taken concurrently)

Day	30148	Lab Fri	9:00-11:50	1828	ALLRED	01/13-05/22	GR	V01
Eve	30378	Lab Wed	7:00-9:50	1828	LIRENSO	01/13-05/22	GR	093

GEOG 2 CULTURAL GEOGRAPHY 3.0 Units

The course is a study of diverse human populations, their cultural origins, diffusion and contemporary spatial expressions. Topics include: demography, languages and religions, urbanization and landscape and religions, urbanization and landscape modification, political units and nationalism, and economic systems and development.

Day	30521	TTh	12:30-1:45	1826	ORF	01/13-05/22	GR	V01
-----	-------	-----	------------	------	-----	-------------	----	-----

GEOG 5 WORLD REGIONAL GEOGRAPHY 3.0 Units

Survey of the world's culture regions and nations as interpreted by geographers, including physical, cultural, and economic features. Emphasis on spatial and historical influences on population growth, transportation networks, and natural environments. Identification and importance of the significant features of regions.

Day	30305	MW	12:30-1:45	1826	ORF	01/13-05/22	GR	V01
-----	-------	----	------------	------	-----	-------------	----	-----

GEOG 8 INTRO TO ATMOSPHERIC SCIENCE 3.0 Units

Introduction to the Earth's atmosphere: topics include atmospheric structure and composition, solar radiation and energy balances, temperature, seasonal changes, atmospheric moisture, clouds and fog, precipitation, air pressure, winds, air masses and fronts, cyclones, weather forecasting, climate and climate change.

Day	31154	TTh	11:00-12:15	1826	ORF	01/13-05/22	GR	V01
-----	-------	-----	-------------	------	-----	-------------	----	-----

GEOG 15 INTRODUCTION TO GIS 3.0 Units

Study of Geographic Information Systems (GIS) science and its applications to spatial data management. Identification and acquisition of GIS data. Assessment of vector and raster systems, scale, resolution, map projection, coordinate systems, georeferencing and Global Positioning Systems (GPS). Spatial

analysis and modeling with GIS.

Eve	31169	Wed	7:00-9:50	1859	ALLRED	01/13-05/22	GR	093
-----	-------	-----	-----------	------	--------	-------------	----	-----

GEOLOGY

GEOL 1 PHYSICAL GEOLOGY 3.0 Units

The Earth, its materials, its internal and external processes, and its development through time. Emphasis is placed on a thorough global understanding of Plate Tectonics as a framework and foundation for subsequent geologic topics and concepts. Topics include volcanoes, earthquakes and seismology, the Geologic Time Scale and the formation of the earth, rocks and minerals, hydrology, erosion, beach systems, environmental geology, glaciation, groundwater, etc. Course content includes the difference between theory and fact and the historical development of key geologic concepts. This is the foundation course for almost all subsequent geology courses for both geology majors and non-majors.

The Geology 1 lab may be taken concurrently with the lecture or during a later term. Enrollment in the lecture course does not automatically enroll the student in the lab course; students must enroll in the lab course separately.

Day	30376	MW	12:30-1:45	2420	HANNA	01/13-05/22	OP	V01
Web	30377	ONLINE			HANNA	01/13-05/22	OP	DEI

GEOL 1-DEI is an online course. For more information, see the section titled "Online Learning" in this schedule, or go to <http://www.laspositascollege.edu/onlinelearning>.

GEOL 1L PHYSICAL GEOLOGY LABORATORY 1.0 Units

Laboratory course to supplement the physical geology lecture course. Introduction to the materials and techniques of geology. Includes minerals, rocks, topographic and geologic maps, structural geology, identification and interpretation of landforms, geologic time and relative age dating analysis, etc.

Prerequisite: GEOL 1 or GEOL 5 or GEOL 7 with a minimum grade of C (May be taken concurrently).

Enrollment in the lecture course does not automatically enroll the student in the lab course; students must enroll in the lab course separately.

Day	32074	Lab Mon	2:00-4:50	1828	STAFF	01/13-05/22	OP	V01
Day	31865	Lab Wed	2:00-4:50	1828	STAFF	01/13-05/22	OP	V02
Eve	30379	Lab Mon	6:30-9:20	1828	STAFF	01/13-05/22	OP	093

GEOL 2 HISTORICAL GEOLOGY WITH LAB 4.0 Units

An introduction to Earth's history and the life it supports with a laboratory. Subjects include geologic dating, plate tectonics, stratigraphy, fossils, biological evolution, the planet's origin and the processes that have influenced paleogeography during the past 4.6 billion years.

Strongly Recommended: GEOL 1 with a minimum grade of C

Day	33323	Lab Tue	2:00-4:50	1828	HANNA	01/13-05/22	OP	HYI
		ONLINE/HYBRID				01/13-05/22	OP	

GEOL 2-HYI is a hybrid course with the lecture portion online and the lab portion on-campus on Tuesday afternoons 2:00-4:50pm in Rm 1828. For information regarding online learning, see the section titled "Online Learning" in this schedule, or go to <http://www.laspositascollege.edu/onlinelearning>.

GEOL 12 INTRODUCTION TO OCEANOGRAPHY 3.0 Units

Introduction to the oceans, the history of oceanic science, instrumentation and exploration; marine geology including

plate tectonics and shoreline processes; physical and chemical properties of sea water; causes and effects of currents, tides, and waves; introduction to the basic types of marine life, the basic marine habitats and ecosystems; distribution of marine resources and the Law of the Sea.

The Geology 12 lab may be taken concurrently with the lecture or during a later term. Enrollment in the lecture does not automatically enroll the student in the lab course; students must enroll in the lab course separately.

Day	30570	TTh	12:30-1:45	1058	STAFF	01/13-05/22	OP	V01
Web	30083	ONLINE			STAFF	01/13-03/13	OP	DEI

GEOL 12-FT1 is a Fast Track online course that meets from Jan 13-Mar 13. For more information, see the section titled "Online Learning" in this schedule, or go to <http://www.laspositascollege.edu/onlinelearning>.

GEOL 12L INTRO TO OCEANOGRAPHY LAB 1.0 Units

Laboratory course to supplement the oceanography lecture course. Introduction to the materials and techniques of oceanic science. Includes sea floor rocks, oceanic geography, bathymetric maps, seismic reflection, seawater physics and chemistry, beach sand, tides, waves, marine life and marine fossils, sea floor spreading rates, etc.

Prerequisite: GEOL12 (may be taken concurrently).

The Geology 12 lab may be taken concurrently with the lecture or during a later term. Enrollment in the lecture does not automatically enroll the student in the lab course; students must enroll in the lab course separately.

Day	30193	Lab Th	2:00-4:50	1828	STAFF	01/13-05/22	OP	V01
-----	-------	--------	-----------	------	-------	-------------	----	-----

GRAPHIC DESIGN & DIGITAL MEDIA

GDDM 2 WORDPRESS/CONTENT MGMT. 3.0 Units

Students will use WordPress to build dynamic websites that can be updated easily. Students are also introduced to CMS frameworks.

Day	32576	Mon	3:00-4:15	714	JAY	01/13-05/22	OP	V01
		Lab Mon	4:20-5:35	714		01/13-05/22	OP	
		Lab Wed	3:00-5:50	714		01/13-05/22	OP	

GDDM 3 THE HISTORY OF MODERN DESIGN 3.0 Units

This introductory survey course focuses on the history, perception and development of design as an art form during the Twentieth Century. The students will develop an understanding of the evolution and role of the Modern Movement in society. The students will also learn about the evaluation criteria of two-dimensional and three dimensional design objects while examining examples of architecture, industrial design, graphic design and interior design. The students will be introduced to outstanding Twentieth Century design figures and their work.

Day	32577	MW	9:00-10:15	714	SAUZADE	01/13-05/22	OP	V01
-----	-------	----	------------	-----	---------	-------------	----	-----

GDDM 40 DESIGN SHOP: BUSINESS DESIGN 3.0 Units

The Design Shop business of the Visual Communications program creates work for clients on the Las Positas College campus. This course is designed for students who are ready to produce client-based work in print and/or for the web prior to seeking employment and/or applying for transfer to a 4-year institution. Students work one-on-one or in a team with the client while refining leadership skills and the full range of visual, oral and written techniques needed to produce industry standard client-based work. Students develop creative print and/or web solutions that meet the full scope of the client's needs and that

D/E	CRN	DAYS	TIMES	ROOM	INSTRUCTOR	DATES	CODES	SEC	D/E	CRN	DAYS	TIMES	ROOM	INSTRUCTOR	DATES	CODES	SEC
-----	-----	------	-------	------	------------	-------	-------	-----	-----	-----	------	-------	------	------------	-------	-------	-----

are of a quality that demonstrates the individual or team's work at industry-standard level.

Strongly Recommended: GDDM 52, GDDM 53, GDDM 54, GDDM 55, GDDM 56, GDDM 57 with a minimum grade of C

Eve	32578	Tue	6:00-7:15	713	KUO	01/13-05/22	OP	093
Lab		Tue	7:20-8:35	713		01/13-05/22	OP	
Lab		Th	6:00-8:50	713		01/13-05/22	OP	

GDDM 45A DIGITAL PAINTING I 3.0 Units

Students will be introduced to fundamental techniques of digital painting as well as hardware and software considerations. Students will create paintings from observation as well as from imagination. Course will focus on translating traditional painting principals into the digital realm.

Prerequisite: ARTS 2A with a minimum grade of C

Strongly Recommended: GDDM 53 with a minimum grade of C

Day	33318	Tue	3:00-4:15	714	KUO	01/13-05/22	OP	V01
Lab		Tue	4:20-5:35	713		01/13-05/22	OP	
Lab		Th	3:00-5:50	713		01/13-05/22	OP	

GDDM 52 INTRODUCTION TO TYPOGRAPHY 3.0 Units

This course examines letterforms and fundamental typographic principles, with emphasis on the vocabulary of typographic form and its relationship to message/purpose in graphic design. Typography is the backbone of graphic design, and the ability to design effectively with type is essential for a graphic designer. Course includes applied history and theory highlighting type as an element for communication and expression. In-class focus on type legibility, readability, and visual appropriateness.

Strongly Recommended: GDDM 54, GDDM 64 with a minimum grade of C

Day	32579	Tue	12:00-1:15	713	KUO	01/13-05/22	OP	V01
Lab		Tue	1:20-2:35	713		01/13-05/22	OP	
Lab		Th	12:00-2:50	713		01/13-05/22	OP	

GDDM 53 PHOTOSHOP I 3.0 Units

Technical and skill development course using the most recent version of Adobe Photoshop at the introductory to create and manipulate digital images, photographs and illustrations. Emphasis on basic to lower-intermediate level techniques and tools used to create image files suitable for print and screen. Design principles emphasized to create effective output through computer-based composition.

Strongly Recommended: GDDM 50 and GDDM 51 with a minimum grade of C

Day	32580	Mon	12:00-1:15	714	JAY	01/13-05/22	OP	V01
Lab		Mon	1:20-2:35	714		01/13-05/22	OP	
Lab		Wed	12:00-2:50	714		01/13-05/22	OP	

GDDM 54 ILLUSTRATOR I 3.0 Units

Technical and drawing skill development course using the latest version of Illustrator at the basic-to intermediate-level to render 2-D and 3-D digital drawings and illustrations. Emphasis on basic-to intermediate-level techniques and tools used to create image files suitable for print and screen. Design principles emphasized to create effective output through computer-based composition.

Strongly Recommended: GDDM 50 with a minimum grade of C

Day	33319	Mon	9:00-10:15	714	KUO	01/13-05/22	OP	V01
Lab		Mon	10:20-11:35	714		01/13-05/22	OP	
Lab		Wed	9:00-11:50	714		01/13-05/22	OP	

GDDM 55 WEB DESIGN I 3.0 Units

This introductory web design course takes a visual communications approach to the creation of web sites, and the fundamental techniques required to format text, illustrations, tables, and images for the web. Emphasis is placed on appropriate design for the web-beginning with a graphic user interface balanced with HTML5 code and CSS3 hand-coding that is functional, logical, and attractive, and bringing the concept to life using Dreamweaver. The course also includes detailed instructions on how to use Dreamweaver to create web content, as well as an introduction to Content Management Systems such as Wordpress, Joomla! and Drupal.

Strongly Recommended: GDDM 50 with a minimum grade of C

Day	32581	Lab	Mon	4:20-5:35	714	JAY	01/13-05/22	OP	V01
			Mon	3:00-4:15	714		01/13-05/22	OP	
		Lab	Wed	3:00-5:50	714		01/13-05/22	OP	

GDDM 58 PHOTOSHOP II 3.0 Units

Technical and design skill development course using Photoshop to create and manipulate images, illustrations, text and animations. Emphasis on intermediate-through advanced-level techniques and tools used to create photo-realistic composites, special effects, custom brushes, and Photoshop rendered imagery for print and screen.

Prerequisite: GDDM 53 with a minimum grade of C

Strongly Recommended: GDDM 50

Day	33320	Mon	12:00-1:15	714	JAY	01/13-05/22	OP	V01
		Lab	Mon	1:20-2:35	714		01/13-05/22	OP
		Lab	Wed	12:00-2:50	714		01/13-05/22	OP

GDDM 59 ILLUSTRATOR II 3.0 Units

Students in this course will use advanced features in Adobe Illustrator to create a number of illustrations with an emphasis on visual storytelling and development of personal style. Students will learn how to incorporate raster images, apply filters, explore the color guide, and utilize the perspective tool for developing stylistic effects.

Prerequisite: GDDM 54 with a minimum grade of C

Day	33321	Mon	9:00-10:15	714	KUO	01/13-05/22	OP	V01
		Lab	Mon	10:20-11:35	714		01/13-05/22	OP
		Lab	Wed	9:00-11:50	714		01/13-05/22	OP

GDDM 60 CREATIVE POTFOLIO DEV & PROMO 3.0 Units

Student will develop strategies to promote oneself and resume to impress potential clients and employers. presentations, interviews, and client discussions.

Strongly Recommended: GDDM 53, GDDM 54, GDDM 55 and GDDM 64 with a minimum grade of C

Eve	33322	Tue	6:00-7:15	713	KUO	01/13-05/22	OP	093
		Lab	Tue	7:20-8:35	713		01/13-05/22	OP
		Lab	Th	6:00-8:50	713		01/13-05/22	OP

GLOBAL STUDIES

GS 2 GLOBAL ISSUES 3.0 Units

This course introduces students to the origins, current status, and future trends of major transnational issues confronting the global community. Topics can include population trends, economic

development and inequality, basic human needs (for food, water health care), human rights, international conflict and security concerns, and environmental problems. The course also focuses on global governance, including the study of collective global responsibilities.

Strongly Recommended: ENG 104 with a minimum grade of P

Day	32554	TTh	11:00-12:15	103	THOMPSON	01/13-05/22	GR	V01
-----	-------	-----	-------------	-----	----------	-------------	----	-----

HEALTH

HLTH 1 INTRO TO PERSONAL HEALTH 3.0 Units

An exploration of major health issues and behaviors in the various dimensions of health (physical, emotional, intellectual/mental, social, spiritual, and environmental). Emphasis is placed on individual responsibility for personal health and the promotion of informed, positive health behaviors. Topics include psychological health, mental health, stress management, nutrition, exercise, weight management, chronic and infectious diseases, healthy relationships, sexual health, drug use and misuse, aging, and the health care system.

Day	31666	MW	9:30-10:45	PE212	OLSON	01/13-05/22	OP	V02
Day	30269	MW	11:00-12:15	PE212	EVERETT	01/13-05/22	OP	V03
Day	30268	MW	2:00-3:15	PE212	SAPSFORD	01/13-05/22	OP	V04
Day	30320	TTh	12:30-1:45	1057	SAPSFORD	01/13-05/22	OP	V06
Web	30113	ONLINE			EVERETT	01/13-05/22	OP	DE1

HLTH 1-DE1 is an online course. For more information, see the section titled "Online Learning" in this schedule, or go to <http://www.laspositascollege.edu/onlinelearning>.

Web	30201	ONLINE			EVERETT	01/13-05/22	OP	DE2
-----	-------	--------	--	--	---------	-------------	----	-----

HLTH 1-DE2 is an online course. For more information, see the section titled "Online Learning" in this schedule, or go to <http://www.laspositascollege.edu/onlinelearning>.

Web	30223	ONLINE			EVERETT	01/13-05/22	OP	DE3
-----	-------	--------	--	--	---------	-------------	----	-----

HLTH 1-DE3 is an online course. For more information, see the section titled "Online Learning" in this schedule, or go to <http://www.laspositascollege.edu/onlinelearning>.

Web	33480	ONLINE			EVERETT	01/13-05/22	OP	DE4
-----	-------	--------	--	--	---------	-------------	----	-----

HLTH 1-DE4 is an online course. For more information, see the section titled "Online Learning" in this schedule, or go to <http://www.laspositascollege.edu/onlinelearning>.

HLTH 3 WOMEN'S HEALTH 3.0 Units

Physiological, psychological, social, cultural, and political influences on women's health. Emphasis on diversity of women's experiences and the factors involved with both population level health outcomes and personal decision-making. Focus on empowerment for primary prevention.

Day	33481	TTh	11:00-12:15	PE212	FAIX	01/13-05/22	OP	V01
-----	-------	-----	-------------	-------	------	-------------	----	-----

HLTH 7 INTRODUCTION TO PUBLIC HEALTH 3.0 Units

An introduction to the discipline of Public Health including basic concepts and terminologies of public health, as well as the history and accomplishments of public health professionals and agencies. An overview of the functions of various public health professions and institutions, and an in-depth examination of the core public health disciplines will be covered. Topics include epidemiology of infectious and chronic diseases; prevention and control of diseases in the community; analysis

of the social determinants of health; health disparities among various populations; strategies for disease reduction; community organizing and health promotion programming; environmental health and safety; global health; and healthcare policy.

Strongly Recommended: Eligibility for ENG 1A

Day	32565	MW	12:30-1:45	PE212	EVERETT	01/13-05/22	OP	V01
-----	-------	----	------------	-------	---------	-------------	----	-----

HISTORY

HIST 1 WESTERN CIVILIZATION TO 1600 3.0 Units

Origin and development of civilization in the Mediterranean and its expansion into Europe-the Near East, Greece, Rome and the Middle Ages, Renaissance and the Reformation.

Day	31156	TTh	11:00-12:15	106	PRATER	01/13-05/22	GR	V01
-----	-------	-----	-------------	-----	--------	-------------	----	-----

Web	30823	ONLINE			RUTKOWSKY	01/13-05/22	GR	DE1
-----	-------	--------	--	--	-----------	-------------	----	-----

HIST 1-DE1 is an online course. For more information, see the section titled "Online Learning" in this schedule, or go to <http://www.laspositascollege.edu/onlinelearning>.

HIST 2 WESTERN CIVILIZATION SINCE 1600 3.0 Units

History of the Modern Western World: Romanticism and the Industrial Revolution to the present.

Day	30385	TTh	11:00-12:15	2420	HIGDON	01/13-05/22	GR	V01
-----	-------	-----	-------------	------	--------	-------------	----	-----

Web	31157	ONLINE			VITALE	01/13-05/22	GR	DE1
-----	-------	--------	--	--	--------	-------------	----	-----

HIST 2-DE1 is an online course. For more information, see the section titled in this schedule, or go to <http://www.laspositascollege.edu/onlinelearning>.

Web	32365	ONLINE			VITALE	01/13-05/22	GR	DE2
-----	-------	--------	--	--	--------	-------------	----	-----

HIST 2-DE2 is an online course. For more information, see the section titled in this schedule, or go to <http://www.laspositascollege.edu/onlinelearning>.

HIST 7 US HIST.THROUGH RECONSTRUCTION 3.0 Units

A survey of United States history from its pre-colonial, indigenous origins through the end of Reconstruction. Emphasis on (1) distinctively American patterns of political, economic, social, intellectual and geographic developments, (2) the interaction amongst and the experiences of diverse racial, ethnic and socioeconomic groups in American History, and (3) the evolution of American institutions and ideals including the U.S. Constitution, the operations of the U.S. government, and the rights and obligations of U.S. citizens under the Constitution.

Day	30481	MW	8:00-9:15	106	PRATER	01/13-05/22	GR	V01
-----	-------	----	-----------	-----	--------	-------------	----	-----

Day	30020	MW	11:00-12:15	2490	PRATER	01/13-05/22	GR	V02
-----	-------	----	-------------	------	--------	-------------	----	-----

Day	30579	MW	12:30-1:45	801	EDEN	01/13-05/22	GR	V03
-----	-------	----	------------	-----	------	-------------	----	-----

Day	30159	TTh	8:00-9:15	2490	DENISCO	01/13-05/22	GR	V04
-----	-------	-----	-----------	------	---------	-------------	----	-----

Day	30019	TTh	9:30-10:45	2205	ROSEN	01/13-05/22	GR	V05
-----	-------	-----	------------	------	-------	-------------	----	-----

Day	30496	MW	2:00-3:15	2205	STAFF	01/13-05/22	GR	V06
-----	-------	----	-----------	------	-------	-------------	----	-----

Day	31743	TTh	12:30-1:45	106	TUELL	01/13-05/22	GR	V07
-----	-------	-----	------------	-----	-------	-------------	----	-----

Day	31882	TTh	2:00-3:15	2480	ROSEN	01/13-05/22	GR	V08
-----	-------	-----	-----------	------	-------	-------------	----	-----

Eve	30342	Wed	4:00-6:50	503	STEINBERG	01/13-05/22	GR	093
-----	-------	-----	-----------	-----	-----------	-------------	----	-----

Eve	30021	Th	7:00-9:50	2420	WEMEIER	01/13-05/22	GR	094
-----	-------	----	-----------	------	---------	-------------	----	-----

Web	30270	ONLINE			RUTKOWSKY	01/13-05/22	GR	DE1
-----	-------	--------	--	--	-----------	-------------	----	-----

HIST 7-DE1 is an online course. For more information, see the section titled "Online Learning" in this schedule, or go to <http://www.laspositascollege.edu/onlinelearning>.

Web	30514	ONLINE			GOUVEIA	01/13-05/22	GR	DE2
-----	-------	--------	--	--	---------	-------------	----	-----

HIST 7-DE2 is an online course. For more information, see the section titled "Online Learning" in this schedule, or go to <http://www.laspositascollege.edu/onlinelearning>.

D/E	CRN	DAYS	TIMES	ROOM	INSTRUCTOR	DATES	CODES	SEC	D/E	CRN	DAYS	TIMES	ROOM	INSTRUCTOR	DATES	CODES	SEC
-----	-----	------	-------	------	------------	-------	-------	-----	-----	-----	------	-------	------	------------	-------	-------	-----

Web 32144 ONLINE GOUVEIA 01/13-05/22 OP DE3
 HIST 7-DE3 is an online course. For more information, see the section titled "Online Learning" in this schedule, or go to <http://www.laspositascollege.edu/onlinelearning>.

HIST 8 US HISTORY POST-RECONSTRUCT 3.0 Units
 History of the United States from the post-Civil War period to the present. Emphasis on (1) distinctively American patterns of political, economic, social, intellectual and geographic developments, (2) the framework of California state and local government, and the relationship between state/local government and the federal government.

Day	30350	MW	9:30-10:45	2450	ROSEN	01/13-05/22	GR	V01
Day	30482	MW	11:00-12:15	2450	ROSEN	01/13-05/22	GR	V02
Day	30022	MW	2:00-3:15	2490	EDEN	01/13-05/22	GR	V03
Day	30578	TTh	9:30-10:45	2490	BENGIVENO	01/13-05/22	GR	V04
Day	30149	TTh	12:30-1:45	4130	WEMEIER	01/13-05/22	GR	V05
Day	31641	MW	8:00-9:15	2490	TUELL	01/13-05/22	GR	V06
Day	33520	TTh	3:30-4:45	2480	STAFF	01/13-05/22	GR	V07
Eve	30023	Tue	7:00-9:50	2420	HIGDON	01/13-05/22	GR	093

Web 30177 ONLINE BENGIVENO 01/13-05/22 GR DE1
 HIST 8-DE1 is an online course. For more information, see the section titled "Online Learning" in this schedule, or go to <http://www.laspositascollege.edu/onlinelearning>.

Web 30515 ONLINE BENGIVENO 01/13-05/22 GR DE2
 HIST 8-DE2 is an online course. For more information, see the section titled "Online Learning" in this schedule, or go to <http://www.laspositascollege.edu/onlinelearning>.

Web 32976 ONLINE BENGIVENO 01/13-05/22 GR DE3
 HIST 8-DE3 is an online course. For more information, see the section titled "Online Learning" in this schedule, or go to <http://www.laspositascollege.edu/onlinelearning>.

Web 33521 ONLINE EIGEN 01/13-05/22 GR DE4
 HIST 8-DE4 is an online course. For more information, see the section titled "Online Learning" in this schedule, or go to <http://www.laspositascollege.edu/onlinelearning>.

HIST 14 AMERICAN CULTURES OF CALI. 3.0 Units
 The history of California from its pre-contact societies to the present, with particular attention to the following periods: Spanish exploration and colonization; the Mexican Revolution; American conquest and the Gold Rush; the Progressive Era; the Great Depression and World War II; and the social movements of the 1960's. In addition to exploring the major political, economic, technological, social, cultural, and environmental developments that have shaped California's history, this course will focus on the distinct and overlapping experiences of the state's Native American, Latino American, African American, Asian American, and European American populations.

Day	30190	TTh	8:00-9:15	2470	HIGDON	01/13-05/22	GR	V01
-----	-------	-----	-----------	------	--------	-------------	----	-----

Web 31967 ONLINE RUTKOWSKY 01/13-05/22 GR DE1
 HIST 14-DE1 is an online course. For more information, see the section titled "Online Learning" in this schedule, or go to <http://www.laspositascollege.edu/onlinelearning>.

HIST 25 AMERICAN INDIAN HISTORY 3.0 Units
 Historical survey of American Indians in the United States from earliest times to the present day. Emphasis on Indian societies and cultures, Indian relations with predominant cultures, Indian movement for self-preservation and historical background

necessary to understand contemporary problems of the Indians. Emphasis on the Indians of California and the West.

Day	30142	TTh	11:00-12:15	1641	WEMEIER	01/13-05/22	GR	V01
-----	-------	-----	-------------	------	---------	-------------	----	-----

HIST 28 HISTORY OF AMERICAN WEST 3.0 Units
 A history of the trans-Mississippi West of the United States. Emphasis will be placed on Native American history and cultures, European and Anglo-American frontiers, expansion of the United States in the 19th century, and the interaction of Native American, European American, Asian American, African American and Hispanic American peoples, and the significance of the West in American history.

Day	31020	MW	12:30-1:45	103	ROSEN	01/13-05/22	GR	V01
-----	-------	----	------------	-----	-------	-------------	----	-----

HIST 32 U.S. WOMENS HISTORY 3.0 Units
 A survey of United States women's history from its indigenous origins through the present. This course emphasizes the interaction and experiences of diverse racial/ethnic groups that include at least three of the following groups: African-Americans, Chicana/Latina Americans, Asian Americans, European Americans, and Native Americans. Special areas of focus include women's role in the political, economic, social, and geographic development of the United States.

Day	30343	TTh	11:00-12:15	2490	BENGIVENO	01/13-05/22	GR	V01
-----	-------	-----	-------------	------	-----------	-------------	----	-----

Eve	32507	Wed	4:00-6:50	2490	VITALE	01/13-05/22	GR	093
-----	-------	-----	-----------	------	--------	-------------	----	-----

HORTICULTURE

HORT 55 GREENHOUSE,NURSERY,GARDEN MTG. 3.0 Units
 Explores many horticulture specializations including management and operations of retail and wholesale nurseries, greenhouse growers, specialized growers of trees, shrubs, flowers, hydroponics growers, vegetable growers. Emphasis on plant propagation, propagation structures, greenhouses, nursery and garden center management and operations. Employment opportunities are in the wholesale and retail horticulture industry.

Eve	33215	Tue	6:00-8:15	802	STAFF	01/13-05/22	OP	093
		Lab	Tue	8:30-9:45	802		01/13-05/22	OP

HORT 60 LANDSCAPE IRRIGATION SYSTEMS 3.0 Units
 Planning, design, engineering, construction, and maintenance of sprinkler and drip irrigation systems for landscape, garden, and turfgrass use. Principles of hydraulics, layout, and equipment application. Irrigation system equipment, components, methods of installation and repair. Principles and techniques of water conservation and plant-water-soil relations.

Eve	33216	Mon	6:00-8:15	1859	STAFF	01/13-05/22	OP	093
		Lab	Mon	8:30-9:45	1859		01/13-05/22	OP

HORT 63 SUSTAINABLE LANDSCAPE 2.0 Units
 This course examines the impact of constructed landscapes on the postindustrial society. Natural ecosystems are studied in order to learn concepts essential to create and maintain sustainable, environmentally sound landscapes. The focus of this course is on planning, designing, installing, and maintaining of landscapes, through the use of ecologically sound construction techniques, materials, and systems.

Eve	33217	Wed	6:00-7:50	1826	STAFF	01/13-05/22	OP	093
-----	-------	-----	-----------	------	-------	-------------	----	-----

HUMANITIES

HUMN 3 INTRODUCTION TO HUMANITIES 3.0 Units

Dramatic literature, the theater including filmic art, an introduction to the experience and appreciation of works of musical and visual art and lyric poetry.

Day 30162 TTh 12:30-1:45 2470 WING BROOKS 01/13-05/22 OP V01

Eve 32517 Tue 7:00-9:50 2460 WING BROOKS 01/13-05/22 OP 093

HUMN 6 NATURE AND CULTURE 3.0 Units

An examination of the aesthetic value of the natural environment leading to the development of an individual critical aesthetic of the natural world. Studies in visual art, including painting, photography, sculpture, land art, mixed media, film, literature, and music.

Day 33482 MW 2:00-3:15 1051 STAFF 01/13-05/22 OP V01

HUMN 10 AMERICAN ARTS AND IDEAS 3.0 Units

Humanities in the United States. Explored through major works of literature, painting, sculpture, architecture, film, music, philosophy, technology, religion, political and social institutions that reflect the values and meanings of the American cultural experience. Particular attention paid to the experience and contributions of various culture groups (African Americans, Asian-Americans, European-Americans, American Indians, and Latino Americans).

Web 32210 ONLINE STAFF 01/13-05/22 OP DE1

HUMN 10-DE1 is an online course. For more information, see the section titled "Online Learning" in this schedule, or go to <http://www.laspositascollege.edu/onlinelearning>.

HUMN 12 CULTURE AND THE ARTS II: 3.0 Units

A survey of the artistic and intellectual accomplishments of human cultures from High Renaissance to Contemporary Eras, i.e. the Modern World. Emphasis is on the study of modern painting, sculpture, architecture, music, literature, theater, religion, and philosophy from around the globe.

Day 33250 MW 9:30-10:45 2470 WING BROOKS 01/13-05/22 OP V01

HUMN 28 WORLD MYTHOLOGY 3.0 Units

Introduction to world mythology, including classical mythology, and the mythic themes recurring in literature, the visual arts, and music. Introduction to the major theories used to evaluate mythology. Exploration of myths about creation, destruction, gods, humans, heroes, tricksters, as well as their origins, variation, historical development, and full expression in ancient times and continued presence in the arts.

Day 33534 MW 12:30-1:45 2480 WING BROOKS 01/13-05/22 OP V01

Web 30164 ONLINE WING BROOKS 01/13-05/22 OP DE1

HUMN 28-DE1 is an online course. For more information, see the section titled "Online Learning" in this schedule, or go to <http://www.laspositascollege.edu/onlinelearning>.

HUMN 44 NARRATIVE FILM AND FILM MUSIC 3.0 Units

An examination of narrative cinema and the function of sound and music in cinema. An exploration of the major conventions of narrative films and of the contributions of composers to the art of filmmaking. A study of the impact of film and film music on 20th-21st century culture. 3 hours lecture.

Day 30314 TTh 2:00-3:15 1011 WING BROOKS 01/13-05/22 OP V01

INTERIOR DESIGN

INTD 15 DRAFTING FOR INTERIOR DESIGN 3.0 Units

Provides a working knowledge of tools and techniques for interior architectural drafting. emphasis on lettering, dimensioning floor plans, elevation and sections. Also, covers procedures for developing finished presentational drawings and boards.

Eve 33223 Mon 5:30-7:20 802 HORNBECK 01/13-05/22 OP 093

Lab Mon 7:30-10:20 802 01/13-05/22 OP

INTD 20 HISTORY OF INTERIORS/FURN. 3.0 Units

A survey of the history of interiors and furnishings from Egyptian period to the present. Emphasis on furniture styles and ornamentation.

Eve 33483 Tue 6:00-8:50 1008 STAFF 01/13-05/22 OP 093

INTD 30 FUNDAMENTALS OF LIGHTING 3.0 Units

Residential and commercial lighting systems as they apply to what constitutes a well-lit interior space. Includes an investigation of current lighting types and lighting resources.

Eve 33514 Th 6:00-8:50 802 STAFF 01/13-05/22 OP 093

INTD 45 BASIC KITCHEN AND BATH DESIGN 3.0 Units

Survey of the field of kitchen and bathroom designs. Includes resources, materials, trends, costs and needs, both functional and aesthetic.

Eve 33224 Wed 5:30-7:20 802 HORNBECK 01/13-05/22 OP 093

Lab Wed 7:30-10:20 802 01/13-05/22 OP

KINESIOLOGY - ACTIVITY COURSES -

KIN BD2 BADMINTON 2 1.0 Units

The techniques of badminton for the intermediate player will be reviewed and performed. This course will also incorporate match analysis for singles and doubles play.

Strongly Recommended: KIN BD1 with a minimum grade of C

Day 31488 TTh 11:00-12:15 PE101 SAPSFORD 01/13-05/22 GR V01

KIN BD3 BADMINTON 3 1.0 Units

Badminton strategy for singles and doubles play. The body's physiological responses to singles and doubles play will be examined.

Strongly Recommended: KIN BD2 with a minimum grade of C

Day 31426 TTh 11:00-12:15 PE101 SAPSFORD 01/13-05/22 GR V01

KIN BK1 BASKETBALL I 1.0 Units

This multi-level course is designed to provide the student with an opportunity to development the basic skills and understanding of basketball. Skills such as dribbling, passing, shooting, defensive and offensive strategies will be presented and practiced. Team play and sportsmanship are important priorities that are emphasized in this class.

Day 32746 MW 11:00-12:15 PE101 GIACOMAZZI 01/13-05/22 OP V01

D/E	CRN	DAYS	TIMES	ROOM	INSTRUCTOR	DATES	CODES	SEC	D/E	CRN	DAYS	TIMES	ROOM	INSTRUCTOR	DATES	CODES	SEC
-----	-----	------	-------	------	------------	-------	-------	-----	-----	-----	------	-------	------	------------	-------	-------	-----

KIN BK2 BASKETBALL 2 1.0 Units

This course is designed to provide the student with an opportunity to develop the skills and understanding of passing, shooting, defensive and offensive strategies will be presented and practiced. Team play and sportsmanship are important priorities that are emphasized in this class.

Strongly Recommended: KIN BK1 with a minimum grade of C

Day 32747 MW 11:00-12:15 PE101 GIACOMAZZI 01/13-05/22 OP V01

KIN CYCL1 CYCLING CONDITIONING I 1.0 Units

This course is an introduction to Physical Fitness through indoor cycling. The cycling program is an individually paced, noncompetitive, group training program designed for all riders and all fitness levels. Cycling is an exercise performed on a stationary bicycle and is performed to music. The course is open to anyone who is interested in developing muscular endurance, improved cardio-respiratory endurance and body composition.

Day 31903 MW 11:00-12:15 PE143 CUMBO 01/13-05/22 OP V01

KIN CYCL2 CYCLING 2 1.0 Units

This course is the second in a series of Indoor Cycling courses. Emphasis is based on beginning to intermediate cycling techniques, heart rate calculations, fitness evaluations, and cardiovascular training and program design. Beginning level principles of physiology are explored including how to train to elicit a desired physiological response. Utilizing a variety of equipment student will develop core endurance and strength. This class is designed for students interested in aerobic fitness improvement through indoor cycling as well as Kinesiology majors.

Day 32299 MW 11:00-12:15 PE143 CUMBO 01/13-05/22 OP V01

KIN FL1 FLAG FOOTBALL I 1.0 Units

This is an introductory course designed to give the student an opportunity to review and practice the basic fundamental skills relative to the game of flag football.

Day 31904 MW 12:30-1:45 SYNTH CRAIGHEAD 01/13-05/22 OP V01

KIN FL2 FLAG FOOTBALL 2 1.0 Units

This is an intermediate course designed to teach students the principles of short-field flag football. Instruction will include: rules, regulations, and concepts of play for 4-on-4 and 5-on-5 flag football.

Strongly Recommended: KIN FL1 with a minimum grade of C

Day 31098 MW 12:30-1:45 SYNTH CRAIGHEAD 01/13-05/22 OP V01

KIN FL3 FLAG FOOTBALL 3 1.0 Units

This course is a continuation course for Flag Football 2. Review of the rules and regulations will be included. This level course will provide instruction on more complex offensive tactics, defensive strategies and concepts of play for 7-on-7 and 8-on-8 flag football. Students will receive instruction on the principles of long-field flag football.

Strongly Recommended: KIN FL1 and KIN FL2 with a minimum grade of C

Day 31667 MW 12:30-1:45 SYNTH CRAIGHEAD 01/13-05/22 OP V01

KIN GBW GUTS AND BUTTS WORKOUT 1.0 Units

This course will focus on improving muscle strength and endurance of the abdominals, gluteals, quadriceps, and hamstrings. Functional exercises such as squats, lunges and planks will be utilized.

Day 31564 TTh 9:30-10:45 PE143 CUMBO 01/13-05/22 OP V01
 Day 31751 MW 12:30-1:45 PE143 CUMBO 01/13-05/22 OP V02

KIN GFI GOLF I 1.0 Units

This is an introductory course to the sport of golf. The course will include the rules, regulations and etiquette of golf, the fundamental swing skills for the long and short game and appropriate club selection. Beg-Intermediate and Intermediate players can benefit from the basic instruction to improve their skill set through the art of practice on the range. The course will be offered at a local golf range and student will be charged a minimal fee for bucket of balls to be used.

Students enrolled in Golf will be assessed an additional \$50, \$100, or \$200 bucket of ball choices, payable to the facility, at the first class meeting.

Day 31673 MW 10:45-12:00 * SAPSFORD 01/13-05/22 OP V01

**offsite room meets at TRI-VALLEY GOLF CENTER
 1780 FREISMAN ROAD, LIVERMORE, CA*

KIN GF2 GOLF 2 1.0 Units

For students who possess the rudimentary skills of golf and aim to improve those abilities. Students will hone their putting, short game, mid-long iron play and driving capabilities. The course is offered at a local driving range who will charge a minimal fee for practice balls.

Students enrolled in Golf will be assessed an additional \$50, \$100, or \$200 bucket of ball choices, payable to the facility, at the first class meeting.

Day 31969 MW 10:45-12:00 * SAPSFORD 01/13-05/22 OP V01

**offsite room meets at TRI-VALLEY GOLF CENTER
 1780 FREISMAN ROAD, LIVERMORE, CA*

KIN GF3 GOLF 3 1.0 Units

Advanced technical aspects of golf match play will be included. Additionally, psychological skills for the elite golfer will be incorporated including visualization, pre-shot routines, relaxation methods and self-talk strategies.

Students enrolled in Golf will be assessed an additional \$50, \$100, or \$200 bucket of ball choices, payable to the facility, at the first class meeting.

Day 31961 MW 10:45-12:00 * SAPSFORD 01/13-05/22 OP V01

**offsite room meets at TRI-VALLEY GOLF CENTER
 1780 FREISMAN ROAD, LIVERMORE, CA*

KIN JW JOG/WALK 1.0 Units

This kinesiology fitness course focuses on walking or jogging to enhance one's cardiovascular fitness, body composition, and overall general health. This course is ideal for the general population to begin or continue a lifetime of exercise. Walking/jogging techniques, training intensity assessment, methods for improvement and personal programs will be provided during the course. With consistent practice and implementing sound fitness principles provided by this course, one will benefit from participation.

Day 32125 MW 12:30-1:45 TRACK CUMBO 01/13-05/22 OP V01

KIN OMI OPTIMAL MOVEMENT I 1.0 Units

This course is an introduction to the biomechanics of optimal movement. The program consists of exercises to teach and restore motor skill and optimal muscle length using objective alignment markers that serve as indicators to healthy muscle activity and overall health. Using the alignment principles of Restorative Exercise you will learn what optimal alignment is and how to apply it in your daily life. This biomechanical model is based on physics, physiology, anatomy, and engineering and

D/E	CRN	DAYS	TIMES	ROOM	INSTRUCTOR	DATES	CODES	SEC	D/E	CRN	DAYS	TIMES	ROOM	INSTRUCTOR	DATES	CODES	SEC
-----	-----	------	-------	------	------------	-------	-------	-----	-----	-----	------	-------	------	------------	-------	-------	-----

simply states that all-over muscle use is a requirement of human health and is not optional. Pilates exercises and Yogic breathing will be included in the curriculum. This course is appropriate for all fitness levels and valuable to Kinesiology majors for its applied anatomy and biomechanics of optimal movement.

Day 33536 TTh 9:30-10:45 PE213 FOSTER 01/13-05/22 OP V01

KIN PF PERSONAL FITNESS 1.0 Units

An independent, self-paced, personal activity program planned and implemented in conjunction with student goals. Based on goals and results of a fitness assessment and health risk appraisal, an individualized program is developed through personal counseling. Programs can include a physical assessment profile, a health risk appraisal, an individualized exercise/activity program, nutrition counseling, health/wellness education, and behavior modification. The student is required to meet with the instructor on campus at the beginning and end of the semester. This is a hybrid class in which the students are assessed and there is a lecture component in the beginning of the class. At the end of the term the students will be reassessed and there will be individual instruction, handouts and another face-to-face lecture.

Web 31421 ONLINE/HYBRID KARTER 01/13-05/22 OP HD1

KIN PF-HD1 is a hybrid course. All class meetings will be online, EXCEPT on the following dates, when students are required to meet on campus in Room PE209 for a pre-assessment and orientation; Friday, Jan 17th (5:30-6:30PM) and Friday, Jan 18th (5:30-6:30PM). The post-fitness assessment will be held on campus Friday, May 15th from 5:30-6:30pm in PE209. Students must log into Canvas on January 21 for directions and to check in with the instructor online. For more information, see the section titled "Online Learning" in this schedule, or go to <http://www.laspositascollege.edu/onlinelearning>.

Web 31678 ONLINE SAPSFORD 01/13-05/22 OP HD2

KIN PF-HD2 is an online course. For more information, see the section titled "Online Learning" in this schedule, or go to <http://www.laspositascollege.edu/onlinelearning>.

KIN PL1 PILATES I 1.0 Units

This course is an introduction to the Pilates Method of body conditioning. This course presents a system that helps build flexibility and long lean muscles as well as strength and endurance in the legs, abdominals, arms, hips and back. Strong emphasis is placed on spinal and pelvic alignment.

Day 31422 TTh 8:00-9:15 PE213 FAIX 01/13-05/22 OP V01

Day 31423 MW 3:30-4:45 PE213 FOSTER 01/13-05/22 OP V02

KIN PL2 PILATES 2 1.0 Units

This Kinesiology course is continued study of the Pilates Method. The student will learn the principle of neutral spine, how to use Pilates props to provide variation and increased difficulty, and create level 2 exercise routines to enhance overall fitness. The concept of "complete coordination of the body, mind and spirit" will be experienced.

Strongly Recommended: KIN PL1 with a minimum grade of C

Day 31112 TTh 8:00-9:15 PE213 FAIX 01/13-05/22 OP V01

Day 31113 MW 3:30-4:45 PE213 FOSTER 01/13-05/22 OP V02

KIN SD1 SALSA DANCE I 1.0 Units

An introductory course in salsa music and the basics of salsa dance. Various patterns will be introduced, allowing students to improve their technique and develop a strong awareness of the rhythm of the dance. No partner required.

Day 33505 MW 11:00-12:15 PE102 VALVERDE 01/13-05/22 OP V01

KIN S11 SOCCER-INDOOR I 1.0 Units

Students will practice the skills of kicking, passing, trapping and heading necessary for controlled indoor soccer play. Students will discuss and employ basic offensive and defensive strategies and tactics; and put into practice the rules governing soccer.

Day 33537 MW 9:30-10:45 PE101 CUMBO 01/13-05/22 OP V01

KIN S12 SOCCER-INDOOR 2 1.0 Units

A second semester course for outdoor soccer. This course will focus on the defensive and offensive tactics of the sport. Students will use the skills covered in Indoor Soccer 1 (S11) while participating in both small sided and full sided play.

Strongly Recommended: KIN S11 with a minimum grade of C

Day 33538 MW 9:30-10:45 PE101 CUMBO 01/13-05/22 OP V01

KIN SO1 SOCCER-OUTDOOR I 1.0 Units

This course will teach students the rules of soccer and the fundamental skills of soccer including passing, receiving, shooting, and dribbling. Students will participate in both small-sided and full-sided play.

Day 33498 TTh 3:00-4:15 SYNTH CUMBO 01/13-05/22 OP V01

KIN SO2 SOCCER-OUTDOOR 2 1.0 Units

A second semester course for outdoor soccer. This course will focus on the defensive and offensive tactics of the sport. Students will use the skills covered in Soccer-Outdoor 1 (SO1) while participating in both small sided and full sided play.

Strongly Recommended: KIN SO1 with a minimum grade of C

Day 33499 TTh 3:00-4:15 PE212 CUMBO 01/13-05/22 OP V01

KIN SWF1 SWIMMING FOR FITNESS I 1.0 Units

This course is designed to introduce students to conditioning for swimming. This is a broad level course that will utilize a variety of strokes to increase cardiovascular fitness, as well as introduce the students to different training methodologies.

Strongly Recommended: KIN SW2.

Day 31905 MW 11:00-12:15 POOL2 STAFF 01/13-05/22 OP V01

KIN SWF2 SWIMMING FOR FITNESS 2 1.0 Units

This is an intermediate level swim fitness course with an emphasis in sprint training. This course will teach the student about the different aspects of sprint training as they relate to different distances (50 and 100 yards/meters). Instruction will also include sprint training for each of the competitive strokes (backstroke, breaststroke, and butterfly).

Strongly Recommended: KIN SWF1, KIN SW3

Day 32126 MW 11:00-12:15 POOL2 STAFF 01/13-05/22 OP V01

KIN SWF3 SWIMMING FOR FITNESS 3 1.0 Units

This is an intermediate level swim fitness course with an emphasis in middle distance training. This course will teach the student about the different aspects of middle distance training for freestyle as they relate to specific race distances: 200, 400, and 500. Instruction will also focus on the 200 & 400 Individual Medley and the 200's of the strokes (backstroke, breaststroke, and butterfly).

Strongly Recommended: KIN SWF1 and KIN SW3

Day 31906 MW 11:00-12:15 POOL2 STAFF 01/13-05/22 OP V01

KIN SWF4 SWIMMING FOR FITNESS 4 1.0 Units

This is an intermediate level swim fitness course with an emphasis

D/E	CRN	DAYS	TIMES	ROOM	INSTRUCTOR	DATES	CODES	SEC	D/E	CRN	DAYS	TIMES	ROOM	INSTRUCTOR	DATES	CODES	SEC
-----	-----	------	-------	------	------------	-------	-------	-----	-----	-----	------	-------	------	------------	-------	-------	-----

in distance training. This course will teach the student about the different aspects of distance training for freestyle as they relate to specific race distances: 800/1500 meters and 1000/1650 yards. Instruction will also include an introduction to open water swimming techniques and strategies.

Strongly Recommended: KIN SWF1 and KIN SW3

Day	32127	MW	11:00-12:15	POOL2	STAFF	01/13-05/22	OP	V01
-----	-------	----	-------------	-------	-------	-------------	----	-----

KIN UF1 ULTIMATE FRISBEE I 1.0 Units

This is an introductory course designed to teach students basic skills of ultimate frisbee and "spirit of the game." Instruction will include learning basic throws, catches, offensive and defensive strategies, and rules of the game.

Day	33539	TTh	11:00-12:15	SYNTH	KARTER	01/13-05/22	OP	V01
-----	-------	-----	-------------	-------	--------	-------------	----	-----

KIN UF2 ULTIMATE FRISBEE 2 1.0 Units

This is a beginning/intermediate level course designed to enhance skills that pertain to the sport of ultimate frisbee.

Strongly Recommended: KIN UF1

Day	33540	TTh	11:00-12:15	SYNTH	KARTER	01/13-05/22	OP	V01
-----	-------	-----	-------------	-------	--------	-------------	----	-----

KIN VB2 VOLLEYBALL INTERMEDIATE 1.0 Units

This is a course designed and developed for the intermediate level volleyball player. It is a continuation of beginning volleyball with an emphasis in executing the fundamental skills and techniques of power volleyball at a higher level. This course differs from beginning volleyball in that set patterns and systems of offense and defense are used in a team strategy.

Strongly Recommended: KIN VB1 with a minimum grade of C

BEFORE ENROLLING student should have proficiency in the skills of passing and setting.

Day	31101	TTh	9:30-10:45	PE101	KARTER	01/13-05/22	OP	V01
-----	-------	-----	------------	-------	--------	-------------	----	-----

KIN VB3 VOLLEYBALL ADVANCED 1.0 Units

Advanced techniques of volleyball with emphasis on competitive play.

Strongly Recommended: KIN VB2 with a minimum grade of C

Day	31429	TTh	9:30-10:45	PE101	KARTER	01/13-05/22	OP	V01
-----	-------	-----	------------	-------	--------	-------------	----	-----

KIN WT1 WEIGHT TRAINING I 1.0 Units

This course provides an introduction to weight training. Students will learn how to improve muscle strength and muscle endurance through the correct application of basic weight training principles.

Day	32748	MW	9:30-10:45	PE202	GIACOMAZZI	01/13-05/22	OP	V01
-----	-------	----	------------	-------	------------	-------------	----	-----

Day	32749	TTh	9:30-10:45	PE202	GIACOMAZZI	01/13-05/22	OP	V02
-----	-------	-----	------------	-------	------------	-------------	----	-----

Day	32750	TTh	11:00-12:15	PE202	KARTER	01/13-05/22	OP	V04
-----	-------	-----	-------------	-------	--------	-------------	----	-----

Day	31669	MW	12:30-1:45	PE202	OLSON	01/13-05/22	OP	V05
-----	-------	----	------------	-------	-------	-------------	----	-----

Day	31425	TTh	12:30-1:45	PE202	CRAIGHEAD	01/13-05/22	OP	V06
-----	-------	-----	------------	-------	-----------	-------------	----	-----

Eve	31424	MW	5:30-6:45	PE202	FAIX	01/13-05/22	OP	093
-----	-------	----	-----------	-------	------	-------------	----	-----

KIN WT2 WEIGHT TRAINING 2 1.0 Units

Weight Training 2 is a continuation course to the Basic course WTW1. The Principles of Training, Level 2 terminology and weight training biomechanics will be presented. Level 2 programs and possible variations will be applied in the prescription of the personal weight training program. The course will incorporate lectures on possible injuries and prevention in a more advanced weight training setting. Implementation of goal setting, tracking, analyzing, progressing individual programs will be included.

Strongly Recommended: KIN WT1 with a minimum grade of C

Day	32751	MW	9:30-10:45	PE202	GIACOMAZZI	01/13-05/22	OP	V01
Day	32752	TTh	9:30-10:45	PE202	GIACOMAZZI	01/13-05/22	OP	V02
Day	32753	TTh	11:00-12:15	PE202	KARTER	01/13-05/22	OP	V04
Day	32128	MW	12:30-1:45	PE202	OLSON	01/13-05/22	OP	V05
Day	31103	TTh	12:30-1:45	PE202	CRAIGHEAD	01/13-05/22	OP	V06
Eve	31102	MW	5:30-6:45	PE202	FAIX	01/13-05/22	OP	093

KIN WTW1 WOMEN'S WEIGHT TRAINING ONE 1.0 Units

This specialized course will provide an orientation to the basic weight training machines available in gyms/clubs and proper gym etiquette, a study of the basic musculoskeletal anatomy and kinesiology of the female body, present the fundamental tenets of weight training, discuss how to maintain healthy body composition, and information on designing a weight training program to achieve attainable personal goals. Pre/Post Fitness Assessments will be conducted to establish a baseline of fitness and a measuring instrument for improvement toward weight training goals Through proper education and implementation of sound weight training principles, the female student will be able to maintain a healthy lifestyle throughout various stages of life.

Day	31958	MW	11:00-12:15	PE202	CUMBO	01/13-05/22	GR	V01
-----	-------	----	-------------	-------	-------	-------------	----	-----

KIN WTW2 WOMEN'S CIRCUIT TRAINING 1.0 Units

This course will present the basic tenets of Circuit Training. The Circuits to be introduced are Power Circuits, Strength Circuits and Cardio-Resistance Circuits. The Course will include basic muscle anatomy and anatomical movement terminology as it relates to weight training, instruction on use of equipment and safety guidelines, physiological changes in aerobic capacity and body composition secondary to the circuits, and pre/post physical fitness assessments to establish a baseline for current level of conditioning and improvement made over the course of the semester.

Strongly Recommended: KIN WTW1 with a minimum grade of C.

Day	31962	MW	11:00-12:15	PE202	CUMBO	01/13-05/22	OP	V01
-----	-------	----	-------------	-------	-------	-------------	----	-----

KIN XT1 X-TRAINING 1.0 Units

This kinesiology class will offer the student an opportunity to learn how to exercise safely in a Weight/ Cardio gym. Circuit, Interval and Cross Training programs will be introduced. The topics of discussion will include: equipment orientation and safety, Principles of Resistance and Aerobic Training, energy systems used for various training regimens, and the benefits of exercise in establishing and maintaining a healthy lifestyle throughout life.

Day	33506	TTh	11:00-12:15	PE203	CUMBO	01/13-05/22	OP	V01
-----	-------	-----	-------------	-------	-------	-------------	----	-----

KIN Y01 YOGA I 1.0 Units

This is an introductory course exploring the principles of Hatha Yoga and how they apply to achieving lifetime fitness. Emphasis is on developing awareness of body alignment, balance, and flexibility through a series of exercises and poses. Breathing exercises, relaxation and meditation techniques are learned and practiced throughout the course.

Day	31803	MW	8:00-9:15	PE213	PEARSON	01/13-05/22	OP	V01
-----	-------	----	-----------	-------	---------	-------------	----	-----

Day	31807	MW	9:30-10:45	PE213	CUMBO	01/13-05/22	OP	V02
-----	-------	----	------------	-------	-------	-------------	----	-----

Day	31809	TTh	12:30-1:45	PE213	RHEINHEIMER	01/13-05/22	OP	V03
-----	-------	-----	------------	-------	-------------	-------------	----	-----

Day	31811	MW	2:00-3:15	PE213	FOSTER	01/13-05/22	OP	V04
-----	-------	----	-----------	-------	--------	-------------	----	-----

Day	31813	TTh	3:30-4:45	PE213	FOSTER	01/13-05/22	OP	V05
-----	-------	-----	-----------	-------	--------	-------------	----	-----

Day	31814	Fri	9:30-12:20	PE213	YOON	01/13-05/22	OP	V06
-----	-------	-----	------------	-------	------	-------------	----	-----

KIN YO2 YOGA 2 1.0 Units

This is an intermediate Hatha Yoga course that emphasizes intense stretching, balancing, and building of muscular strength. A series of poses and breathing techniques will be practiced in order to create a more strenuous yoga experience. Emphasis will be on the principles of healthy living, along with proper posture, relaxation and meditation techniques.

Strongly Recommended: KIN YO1 with a minimum grade of C

Day	31104	MW	8:00-9:15	PE213	PEARSON	01/13-05/22	OP	V01
Day	31105	MW	9:30-10:45	PE213	CUMBO	01/13-05/22	OP	V02
Day	31106	TTh	12:30-1:45	PE213	RHEINHEIMER	01/13-05/22	OP	V03
Day	31114	MW	2:00-3:15	PE213	FOSTER	01/13-05/22	OP	V04
Day	31167	TTh	3:30-4:45	PE213	FOSTER	01/13-05/22	OP	V05
Day	31670	Fri	9:30-12:20	PE213	YOON	01/13-05/22	OP	V06

KIN ZUMI ZUMBA FITNESS WORKOUT I 1.0 Units

Zumba is a Latin-inspired, dance-fitness workout class that incorporates Latin American inspired music, along with jazz, hip hop, pop, country and African inspired international music. Zumba workouts will use choreographed steps and movements to form a fitness based calorie burning dance workout.

Day	31907	MW	12:30-1:45	PE102	VALVERDE	01/13-05/22	GR	V01
-----	-------	----	------------	-------	----------	-------------	----	-----

KIN FNE1 FENCING-EPEE I 1.0 Units

This course is an introduction to epee. Emphasis is on the technical and tactical skills unique to epee fencing. Basic skills include the development of correct footwork, precise blade action, and sound tactical decisions.

Day	32800	TTh	2:00-3:15	PE212	RHEINHEIMER	01/13-05/22	OP	V01
-----	-------	-----	-----------	-------	-------------	-------------	----	-----

KIN FNE2 FENCING-EPEE 2 1.0 Units

This is a second semester course for epee. Emphasis is establishing consistent technical and tactical skills unique to epee fencing. There will be introduction to use of electrical equipment.

Strongly Recommended: KIN FNE1 with a minimum grade of C Footwork movements (advance, retreat, and lunge) must be correct and controlled.

Day	32801	TTh	2:00-3:15	PE102	RHEINHEIMER	01/13-05/22	OP	V01
-----	-------	-----	-----------	-------	-------------	-------------	----	-----

KINESIOLOGY - INTERCOLLEGIATE ATHLETICS -

KIN 31C SPRING INTERCOL BASKETBALL-MEN 1.5 Units

Training for intercollegiate competition. Daily practice for advanced skill learning will occur. Spring semester.

Day	31096	Daily	3:00-4:50	PE101	GIACOMAZZI	01/13-03/13	GR	FT1
-----	-------	-------	-----------	-------	------------	-------------	----	-----

KIN 31C-FT1 is a Fast Track course that meets from Jan 13-Mar 13.

KIN 31D OFF SEAS INTERCOL MENS BSKTBL 1.0 Units

Students will practice the skills of passing, dribbling, shooting, cutting, screening and defensive fundamentals that are necessary for competitive basketball play. Students will learn the governing rules of basketball, learn the appropriate terminology used in basketball and the safety procedures related to the game.

Day	31427	MTWTh	3:00-4:25	PE101	GIACOMAZZI	03/16-05/15	GR	FT2
-----	-------	-------	-----------	-------	------------	-------------	----	-----

KIN 31D-FT2 is a Fast Track course that meets from Mar 16-May 15.

KIN 38C POST SEASON INTER. MEN SOCCER 1.0 Units

Students will learn and develop the advanced outdoor soccer

skills of kicking, passing and conditioning necessary for playing field soccer at an intercollegiate level. Students will learn the rules governing outdoor soccer play.

Day	31107	TTh	9:30-10:45	SYNTH	CUMBO	01/13-05/22	GR	V01
-----	-------	-----	------------	-------	-------	-------------	----	-----

KIN 40C OFF SEASON WOMEN'S VOLLEYBALL 1.0 Units

Designed to provide a physical, mental, nutritional and instructional conditioning program for the student preparing for and/or interested in being evaluated for the intercollegiate sport of women's volleyball.

Strongly Recommended: KIN 40B with a minimum grade of C

Day	32744	Lab By Arr	3.0 Hrs/Wk	PE101	BYRD	01/13-05/22	GR	V01
-----	-------	------------	------------	-------	------	-------------	----	-----

KIN 41C INTERCOLLEGIATE BSKTBL WOMEN 1.5 Units

Training for intercollegiate competition. Daily practice. Spring semester.

Day	31097	Daily	1:00-2:50	PE101	MORGAN	01/13-03/13	GR	FT1
-----	-------	-------	-----------	-------	--------	-------------	----	-----

KIN 41C-FT1 is a Fast Track course that meets from Jan 13-Mar 13.

KIN 41D OFF SEA INTERCOL WOMENS BSKBL 1.0 Units

Students will practice the skills of dribbling, passing, shooting and defense necessary for competitive basketball play; put into practice the governing rules of basketball; learn about the appropriate terminology used in basketball and the safety procedures related to the game.

Day	33570	By Arr	6.7 Hrs/Wk	PE101	MORGAN	03/16-05/15	GR	FT2
-----	-------	--------	------------	-------	--------	-------------	----	-----

KIN 41D-FT2 is a Fast Track course that meets from Mar 16-May 15.

KIN 48C OFF SEASON INTE WOMEN SOCCER 1.0 Units

Students will practice the skills of kicking, passing, trapping and heading necessary for controlled outdoor soccer play; put into practice the rules governing outdoor soccer play; learn about the appropriate terminology used in soccer and the safety procedures related to the soccer game.

Day	31108	MTTh	2:00-2:50	SYNTH	CUMBO	01/13-05/22	GR	V01
-----	-------	------	-----------	-------	-------	-------------	----	-----

KIN 50 INTER. SWIMMING DIVING 3.0 Units

This course is for intercollegiate swimming and diving competition conducted through the NCAA and the CCCAA.

Strongly Recommended: KIN SW3 and KIN SWF1 with a minimum grade of C

Day	33497	MTWTh	2:15-4:05	POOL2	CRAIGHEAD	01/13-05/22	GR	V01
-----	-------	-------	-----------	-------	-----------	-------------	----	-----

	Fri	9:00-10:50	POOL2			01/13-05/22	GR	
--	-----	------------	-------	--	--	-------------	----	--

KIN 61 WATER POLO OFF SEASON TRAINING 1.0 Units

This course is designed to give students the opportunity to learn and apply specific conditioning skills relating to the game of Water Polo. Instruction will focus on speed, quickness, strength, and cardiovascular conditioning in the pool as they relate to the play of Water Polo. Concepts of dryland training and periodization will be discussed.

Strongly Recommended: KIN WP1 and KIN SW2 with a minimum grade of C

Day	32248	TTh	12:30-1:45	POOL2	STAFF	01/13-05/22	OP	V01
-----	-------	-----	------------	-------	-------	-------------	----	-----

KINESIOLOGY - MARTIAL ARTS -

KIN ETD1 ESKRIMA-TENIO DECUERDAS I 1.0 Units

An introductory course of the Filipino martial art system of Tenio DeCuerdas Eskrima: a complete system combining 18 styles of eskrima, kali, and arnis. The course will focus on history of the

D/E	CRN	DAYS	TIMES	ROOM	INSTRUCTOR	DATES	CODES	SEC	D/E	CRN	DAYS	TIMES	ROOM	INSTRUCTOR	DATES	CODES	SEC
-----	-----	------	-------	------	------------	-------	-------	-----	-----	-----	------	-------	------	------------	-------	-------	-----

system, basic movement and striking, increasing hand speed, defenses against daga, daga versus daga, and how to receive techniques safely.

Day 32796 TTh 2:00-3:15 PE213 KUTIL 01/13-05/22 OP V01

KIN ETD2 ESKRIMA-TENIO DECUERDAS 2 1.0 Units

A second semester course of the Filipino martial art system of Tenio DeCuerdas Eskrima. The course will focus on history of the head of the system, concepts of rhythms and beats, proper footwork, defenses against daga, daga versus daga, and how to receive techniques safely.

Strongly Recommended: KIN ETD 1 with a minimum grade of C

Day 32797 TTh 2:00-3:15 PE213 KUTIL 01/13-05/22 OP V01

KIN ETD3 ESKRIMA-TENIO DECUERDAS 3 1.0 Units

A third semester course of the Filipino martial art system of Tenio DeCuerdas Eskrima. The course will focus on concepts of sectoring, advanced footwork, trapping and locking, intermediate daga versus daga concepts, and how to safely receive advanced techniques.

Strongly Recommended: KIN ETD2 with a minimum grade of C

Day 32798 TTh 2:00-3:15 PE213 KUTIL 01/13-05/22 OP V01

KIN ETD4 ESKRIMA-TENIO DECUERDAS 4 1.0 Units

A fourth semester course of the Filipino martial art system of Tenio DeCuerdas Eskrima. The course will focus on concepts of the third arm, proper leg evasions, and advanced open hand and daga versus daga techniques.

Strongly Recommended: KIN ETD3 with a minimum grade of C

Day 32799 TTh 2:00-3:15 PE213 KUTIL 01/13-05/22 OP V01

KIN JDR1 JUJUTSU-DANZAN RYU 1 1.0 Units

An introductory course of the martial art system of Danzan Ryu Jujutsu: a hybrid of Japanese Jujitsu, Judo, and Kenpo, and the Hawaiian art of Lua. Techniques are not strength based and primarily involve the use of joint and nerve manipulation, precision striking, and throwing to subdue an attacker. This course will focus on history of the system and founder, basic movement, escapes, trip throws, strikes, and how to receive techniques safely.

Day 33500 TTh 11:00-12:15 PE213 KUTIL 01/13-05/22 OP V01

KIN JDR2 JUJUTSU-DANZAN RYU 2 1.0 Units

A second semester course of the martial art system of Danzan Ryu Jujutsu. This course will focus on history throws, sweep throws, and how to receive techniques safely.

Strongly Recommended: KIN JDR1 with a minimum grade of C

Day 33502 TTh 11:00-12:15 PE213 KUTIL 01/13-05/22 OP V01

KIN JDR3 JUJUTSU-DANZAN RYU 3 1.0 Units

A third semester course of the martial art system of Danzan Ryu Jujutsu. This course will focus on ukemi, escapes, locks, sweep throws, reap throws, hip throws, pins, striking combinations, and how to receive techniques safely.

Strongly Recommended: KIN JDR2 with a minimum grade of C

Day 33503 TTh 11:00-12:15 PE213 KUTIL 01/13-05/22 OP V01

KIN JDR4 JUJUTSU-DANZAN RYU 4 1.0 Units

A fourth semester course of the martial art system of Danzan Ryu Jujutsu. This course will focus on ukemi, escapes, locks, constrictions, hip throws, drop throws, and how to receive techniques safely.

Strongly Recommended: KIN JDR3 with a minimum grade of C

Day 33504 TTh 11:00-12:15 PE213 KUTIL 01/13-05/22 OP V01

KIN TK1 TAEKWONDO 1 1.0 Units

A beginning level self-defense course designed to teach fundamental techniques of Taekwondo. Developing basic techniques in kicking, punching and sparring, the course will introduce concepts of fitness and cardio-respiratory conditioning achieved through participating in Taekwondo. This course is structured as a martial arts class.

Day 31987 MW 11:00-12:15 PE213 YOON 01/13-05/22 OP V01

KIN TK2 TAE KWON DO 2 1.0 Units

This martial arts course is structured as a continuation from Level 1 Taekwondo. The intermediate techniques of kicking, punching and sparring will reinforce concepts of fitness and cardio-respiratory conditioning achieved through participating in Taekwondo. Students will learn intermediate self-defense techniques from Taekwondo skills. Attending and observing local tournaments will be assigned as an off campus activity.

Strongly Recommended: KIN TK1 with a minimum grade of C

Day 31100 MW 11:00-12:15 PE213 YOON 01/13-05/22 OP V01

KIN TK3 TAE KWON DO 3 1.0 Units

This martial arts course is structured as a continuation from Level 2 Taekwondo. The advanced techniques of blocks, kicks and stances will reinforce concepts of fitness, cardio-respiratory conditioning, strength and balance achieved through participating in Taekwondo. Students will learn advanced self-defense techniques and advanced required forms in Accordance with World Taekwondo Federation Regulations. Attending and observing local tournaments will be assigned as an off campus activity.

Strongly Recommended: KIN TK2 with a minimum grade of C

Day 31668 MW 11:00-12:15 PE213 YOON 01/13-05/22 OP V01

KINESIOLOGY - THEORY COURSES -

KIN 6 PERSONAL TRAINER 3.5 Units

This course emphasizes the theoretical and hands on skills required of personal trainers, coaches and fitness professionals. This course will bridge the gap between exercise science, kinesiology and practical hands-on learning by integrating the latest in scientific and physiologically based research. This class will have lectures, labs, group work/discussions and assignments.

Day 32722 Th 12:30-1:45 PE203 CUMBO 01/13-05/22 OP HDI
ONLINE/HYBRID 01/13-05/22 OP

KIN 6-HDI is a hybrid course. Students will meet on campus Thursdays from 12:30-1:45pm in Room PE203. They will be required to complete the remainder of the course online. For more information, see the section titled "Online Learning" in this schedule, or go to <http://www.laspositascollege.edu/onlinelearning>.

KIN 14 RESPONDING TO EMERGENCIES 3.0 Units

This course involves the theory and detailed demonstration of the first aid care of the injured. The student will learn to assess a victim's condition and incorporate proper treatment. Standard first aid, CPR, and AED certification(s) will be granted upon successful completion of requirements.

Day 32741 TTh 11:00-12:15 PE209 CRAIGHEAD 01/13-05/22 GR V01

KIN 18A ATHLETIC TRAINING PRACTICUM I 1.0 Units

Designed to provide clinical experience for students interested in sports-related injury care and prevention. Organization of a clinical facility and management of game day operations. Experiences will include taping for prevention of injury, use of modalities for the treatment and/or rehabilitation of injuries, stretching techniques, identify and manage emergency situations.

Prerequisite: KIN 17 with a minimum grade of C

Day 32742 Lab By Arr 3.0 Hrs/Wk PE104 LE CARA 01/13-05/22 GR V01

KIN 19 CARE AND PREVENTION INJURIES 3.0 Units

This course provides an introduction to the principles and scientific foundations of athletic training. Examination in the techniques used in the prevention of athletic injuries, including taping, bandaging, and strapping along with how to recognize and evaluate basic signs and symptoms associated with common injuries. Establishing a plan of care that includes rehabilitative exercise will also be studied. Legal and ethical issues, professionalism, organization and administration of a sports medicine facility. This course is focused on preparing those interested in becoming Athletic Trainers and Coaches.

Prerequisite: KIN 17 with a minimum grade of C

Day 32743 TTh 9:30-10:45 PE104 LE CARA 01/13-05/22 GR V01

KIN 24 SPORT PSYCHOLOGY 3.0 Units

A formal introduction to the study of sport psychology focusing upon both the psychological factors that influence participation in sport and exercise and the psychological effects derived from that participation. Emphasis on understanding the psychological processes involved in human performance, models of intervention that can enhance and improve learning and performance conditions, and the strategies which can elicit and influence favorable psychological perceptions and outcomes.

Web 30807 ONLINE SAPS FORD 01/13-05/22 OP DE1

KIN 24-DE1 is an online course. For more information, see the section titled "Online Learning" in this schedule, or go to <http://www.laspositascollege.edu/onlinelearning>.

KIN 30 INTRODUCTION TO KINESIOLOGY 3.0 Units

This class is designed to introduce the student to Kinesiology - the science of human movement (and of humans moving). Concepts in the various subfields of Kinesiology are examined and career opportunities in the field of Kinesiology are explored. Due to the interdisciplinary nature of Kinesiology, the field will be covered from a humanities, social science, and life science perspective.

Day 31487 MW 9:30-10:45 801 CRAIGHEAD 01/13-05/22 OP V01

LIBRARY SKILLS

LIBR 4 COLLEGE RESEARCH TECHNIQUES 0.5 Units

Introduction to basic research techniques in a college library. Focus on use of the library catalog, search strategies, organization of materials in the library including reference, faculty reserves, circulating books, audiovisuals, use of reference materials, evaluation of relevant resources, recognition of plagiarism, and bibliographic citation of books, audiovisuals, and magazines and journals.

Eve 31908 Mon 5:00-7:15 2003 INZERILLA 01/27-03/09 P/N LE1

LIBR 4-LE1 meets four Mondays: January 27, February 10, February 24 and March 9 in room 2003.

MARKETING

MKTG 50 INTRODUCTION TO MARKETING 3.0 Units

Marketing as a value exchange process involving all societal members; an overview of product development, pricing, placement, and promotion; Target markets including the demographic and behavioral dimensions of markets; analyses of marketing placement and pricing strategies and the social, cultural, economic, competitive and legal factors affecting marketing mix decisions.

Strongly Recommended: ENG 1A with a minimum grade of C

Day 30081 MW 9:30-10:45 2205 PATTERSON 01/13-05/22 OP V01

Internet access is required.

Web 30573 ONLINE PATTERSON 01/13-05/22 OP DE1

MKTG 50-DE1 is an online course. For more information, go to <http://www.laspositascollege.edu/onlinelearning>.

MKTG 56 MARKETING STRATEGIES 3.0 Units

Current marketing trends, strategies, and techniques. Introduction to online and social media marketing. The promotional process and techniques in the development of effective content creation and branding. Advanced theories, principles, and practices of customer service, customer loyalty, and the customer experience.

Web 32674 ONLINE PATTERSON 01/13-05/22 OP DE1

MKTG 56-DE1 is an online course. For more information, see the section titled "Online Learning" in this schedule, or go to <http://www.laspositascollege.edu/onlinelearning>.

MASS COMMUNICATIONS

MSCM 3 MAGAZINE & FEATURE WRITING 3.0 Units

Feature writing, freelance journalism, and how to get published in newspapers and magazines.

Strongly Recommended: ENG 1A

Day 33266 Fri 9:30-12:20 2409 THOMPSON 01/13-05/22 GR V01

MSCM 5 INTRO TO MASS COMMUNICATIONS 3.0 Units

Survey of mass communication and the interrelationships of media with society, including history, structure, and trends in a digital age. Discussion of theories and effects, economics, technology, law and ethics, global media, media literacy, and social issues, including gender and cultural diversity.

Strongly Recommended: Eligibility for ENG 1A.

Day 33267 Tue 2:00-3:30 2470 THOMPSON 01/13-05/22 OP HY1
ONLINE/HYBRID 01/13-05/22 OP

MSCM 5-HY1 is a hybrid course. Students will meet on campus Tuesdays from 2:00pm-3:30pm in Room 2470. The remainder of the course will be completed online. For more information, see the section titled "Online Learning" in this schedule, or go to <http://www.laspositascollege.edu/onlinelearning>.

MSCM 16A EXPRESS COLLEGE NEWSPAPER A 3.0 Units

An applied course in which students practice and refine beginning journalism skills, including recognizing, acquiring, producing, and distributing content for the print and online editions of the student newspaper, the Express. The focus of study is on basic news, feature, and opinion stories. Students are introduced to concepts related to photojournalism, business management, graphic arts, design, social media, and leadership and editing

D/E	CRN	DAYS	TIMES	ROOM	INSTRUCTOR	DATES	CODES	SEC	D/E	CRN	DAYS	TIMES	ROOM	INSTRUCTOR	DATES	CODES	SEC
-----	-----	------	-------	------	------------	-------	-------	-----	-----	-----	------	-------	------	------------	-------	-------	-----

skills. The course includes ethical, practical, and legal issues in journalism.

Strongly Recommended: Eligibility for ENG 1A

Day	31026	Lab Mon	1:00-3:50	2409	KORBER	01/13-05/22	OP	V01
		Lab Wed	1:00-2:20	2409		01/13-05/22	OP	
		Fri	1:00-1:50	2409		01/13-05/22	OP	
		Lab By Arr	1.5 Hrs/Wk	2409		01/13-05/22	OP	

MSCM 16B EXPRESS COLLEGE NEWSPAPER B 3.0 Units

An applied course in which students practice and refine intermediate journalism skills, including recognizing, acquiring, producing, and distributing content for the print and online editions of the student newspaper, the Express. Focus is on in-depth news, feature and opinion stories. Students develop intermediate abilities in photojournalism, business management, graphic arts, design, social media, and leadership and editing skills. The course includes ethical, practical, and legal issues in journalism.

Prerequisite: MSCM 16A with a minimum grade of C

Strongly Recommended: Eligibility for ENG 1A

Day	31027	Lab Mon	1:00-3:50	2409	KORBER	01/13-05/22	OP	V01
		Lab Wed	1:00-2:20	2409		01/13-05/22	OP	
		Fri	1:00-1:50	2409		01/13-05/22	OP	
		Lab By Arr	1.5 Hrs/Wk	2409		01/13-05/22	OP	

MSCM 16C EXPRESS COLLEGE NEWSPAPER C 3.0 Units

An applied course in which students practice and refine advanced journalism skills, including recognizing, acquiring, producing, and distributing content for the print and online editions of the student newspaper, the Express. Focus is on leadership, editing the work of others, improving writing and multimedia skills, and improving the Express. Enhanced leadership role includes outreach to the community and representation as journalist and leader at events. Students develop advanced abilities in writing, photojournalism, business management, graphic arts, design, social media, and leadership and editing skills. Students will produce course includes ethical, practical, and legal issues in journalism. Students should serve in a leadership role.

Prerequisite: MSCM 16B with a minimum grade of C

Day	31645	Lab Mon	1:00-3:50	2409	KORBER	01/13-05/22	OP	V01
		Lab Wed	1:00-2:20	2409		01/13-05/22	OP	
		Fri	1:00-1:50	2409		01/13-05/22	OP	
		Lab By Arr	1.5 Hrs/Wk	2409		01/13-05/22	OP	

MSCM 16D EXPRESS COLLEGE NEWSPAPER D 3.0 Units

An applied capstone course in which students practice and refine advanced journalism skills, including recognizing, acquiring, producing, and distributing content for the print and online editions of the student newspaper, the Express. Focus is on completing a portfolio project, exploring career opportunities in the field, leading others, editing the work of others, improving writing and multimedia skills, and improving the Express. Students work to develop advanced abilities in writing, photojournalism, business management, graphic arts, design, social media, leadership, and editing skills. The course includes ethical, practical, and legal issues in journalism. Student assumes a leadership role and create workshops to benefit other staff members.

Prerequisite: MSCM 16C with a minimum grade of C

Day	31646	Lab Mon	1:00-3:50	2409	KORBER	01/13-05/22	OP	V01
		Lab Wed	1:00-2:20	2409		01/13-05/22	OP	

Fri	1:00-1:50	2409	01/13-05/22	OP
Lab By Arr	1.5 Hrs/Wk	2409	01/13-05/22	OP

MSCM 17 EXPRESS EDITORIAL BOARD 1.0 Units

The roles and responsibilities of leaders on the college newspaper, the Express. Practical experience participating in editorial board meetings, setting policy for the newspaper, and leading in the decision-making process for issue planning, budgeting, and the development of the newspaper. Enrollment is limited to student leaders on the Express.

Strongly Recommended: Eligibility for ENG 1A

Day	31358	Fri	2:00-2:50	2409	KORBER	01/13-05/22	OP	V01
-----	-------	-----	-----------	------	--------	-------------	----	-----

MSCM 19A JOURNAL OF ARTS AND WRITING A 3.0 Units

Creation of a literary-style student magazine. Practical training in the managing, editing, formatting, and printing of a literary magazine. Enrollment constitutes the staff of the magazine. Cross-listed with ENG 19A. A student who has successfully completed ENG 19A cannot enroll in MSCM 19A.

Day	31095	MW	11:00-11:50	2409	KORBER	01/13-05/22	OP	HDI
		Lab	ONLINE/HYBRID			01/13-05/22	OP	

MSCM 19A-HDI is a hybrid course. Classes will meet on-campus Mondays and Wednesdays from 11am-11:50am in Room 2409. The remainder of the course will be completed online. For more information, see the section titled "Online Learning" in this schedule, or go to <http://www.laspositascollege.edu/onlinelearning>.

MSCM 19B JOURNAL OF ARTS AND WRITING B 3.0 Units

Creation of a literary-style student magazine. Practical intermediate-level training in the managing, editing, formatting, and printing of a literary supplement and/or magazine with a focus on the production process, including copy editing, design, layout, proofreading, working with the printer, and digital and print distribution. Enrollment constitutes the staff of the magazine. A student who has completed ENG 19B cannot enroll in MSCM 19B.

Prerequisite: MSCM 19A or ENG 19A with a minimum grade of C

Day	31110	MW	11:00-11:50	2409	KORBER	01/13-05/22	OP	HDI
		Lab	ONLINE/HYBRID			01/13-05/22	OP	

MSCM 19B-HDI is a hybrid course. Class will meet on-campus Mondays and Wednesdays 11am-11:50am in Room 2409. The remainder of the course will be completed online. For more information, see the section titled "Online Learning" in this schedule, or go to <http://www.laspositascollege.edu/onlinelearning>.

MSCM 31 INTRODUCTION TO MEDIA 3.0 Units

A survey of radio, television, film and multimedia and their impact on culture and society; includes economics, technological development, programming, ratings, legal aspects, and social control of broadcasting in America, and cross-cultural, international comparisons.

Strongly Recommended: Eligibility for ENG 1A

Web	31028	ONLINE	KORBER	01/13-05/22	OP	DEI
-----	-------	--------	--------	-------------	----	-----

MSCM 31-DEI is an online course. For more information, see the section titled "Online Learning" in this schedule, or go to <http://www.laspositascollege.edu/onlinelearning>.

MSCM 35 MULTIMEDIA REPORTING 3.0 Units

This course will provide an introduction to multimedia storytelling with a journalism emphasis. Techniques that will be explored include use of video, photos, audio, animation, and text to convey interactive news and feature stories through the Internet

and other electronic media. It also will include techniques in digital research, critical thinking, and synthesis. It will introduce the legal and ethical issues in the recording of sources. Emphasis is placed upon the methods and techniques of multimedia reporting, including scripting, storyboarding, camera use, lighting, sound, and editing with video editing software such as Adobe Premiere Pro.

Day	32575	Tue	9:30-10:20	2409	THOMPSON	01/13-05/22	OP	V01
Lab		Tue	10:30-12:50	2409		01/13-05/22	OP	
Lab		Th	9:30-12:50	2409		01/13-05/22	OP	

MSCM 72 INTRO.TO PHOTOJOURNALISM 3.0 Units

This course deals with the photographer as a journalist, focusing on theory and practice in press and publications photography, with emphasis on using the camera as a reporting and communications tool. Covered are news and feature photography and photographic essays, including composition, impact, and creativity, for newspapers, magazines, the Internet, and other mass communications media. Understanding and applying photojournalistic and basic technical and visual skills in the making of successful reportage photographs. Consideration of the work of major 20th and 21st century photojournalists. Course is cross listed with PHTO 72. Student will receive credit for taking either MSCM 72 or PHTO 72.

Strongly Recommended: PHTO 50 and/or PHTO 56, and/or VCOM 53.

Day	33573	Tue	2:00-3:50	2409	HORVATH	01/13-05/22	OP	V01
Lab		Tue	4:00-4:50	2409		01/13-05/22	OP	
Lab		Th	2:00-4:50	2409		01/13-05/22	OP	

MATH

- Math Emporium classes..... pg. 62
- Lecture and Hybrid classes pg. 65
- All Concurrent Support pg. 69
- Math Jam pg. 70
- Non-Credit (Tuition-Free) Math Classes and Concurrent Supports pg. 72

MATH EMPORIUM

The Math Emporium is a mode in which students have the ability to complete their foundational math courses, associate level math courses, and Technical Math sequence in a personalized mode. This mode allows students to self-accelerate through the material in a way that is unique to each student's needs. Students will learn study skills and tips along with the math while working on their lab assignments. Students will decide when they are ready to take a test and take the length of time they need when testing (within the hours of operation).

Students registering for a Math Emporium course are required to purchase and use the internet based soft-ware MyMathLab, which contains an online version of the textbook.

MATH 52A TECH. INTER. ALGEBRA-AUTO A 1.5 Units

This course provides a survey of algebraic processes with an emphasis on applications in the automotive trades. Topics covered include, but are not limited to: algebraic expressions; quadratic functions; and functions. This course may not be used as a prerequisite for any transfer level course.

Prerequisite: MATH 72D with a minimum grade of C

The following MATH 52A sections are taught in the Math Emporium

Day	32639	TTh	9:30-11:15	607	STAFF	01/13-03/06	OP	T01
Day	32910	TTh	12:30-2:15	607	STAFF	01/13-03/06	OP	T02
Day	32641	MW	12:30-2:15	607	STAFF	01/13-03/06	OP	T03
Day	32642	TTh	3:30-5:15	607	STAFF	01/13-03/06	OP	T04
Day	32912	MW	9:30-11:15	607	STAFF	01/13-03/06	OP	T05
Day	32913	MW	3:30-5:15	607	STAFF	01/13-03/06	OP	T06
Day	32640	TTh	9:30-11:15	607	STAFF	03/16-05/22	OP	T07
Day	32911	TTh	12:30-2:15	607	STAFF	03/16-05/22	OP	T08
Day	32643	MW	12:30-2:15	607	STAFF	03/16-05/22	OP	T09
Day	32644	TTh	3:30-5:15	607	STAFF	03/16-05/22	OP	T10
Day	32914	MW	9:30-11:15	607	STAFF	03/16-05/22	OP	T11
Day	32915	MW	3:30-5:15	607	STAFF	03/16-05/22	OP	T12
Eve	32645	MW	6:30-8:15	607	STAFF	01/13-03/06	OP	T93
Eve	32916	TTh	6:30-8:15	607	STAFF	01/13-03/06	OP	T94
Eve	32646	MW	6:30-8:15	607	STAFF	03/16-05/22	OP	T95
Eve	32917	TTh	6:30-8:15	607	STAFF	03/16-05/22	OP	T96

MATH 52B TECH. INTER. ALGEBRA-AUTO B 1.5 Units

This course provides a survey of algebraic and geometric processes with an emphasis on applications in the automotive trades. Topics covered include, but are not limited to: plane geometry; linear regression, financial mathematics, and measures of central tendency. This course is not intended as a prerequisite for any transfer level course.

Prerequisite: MATH 52A with a minimum grade of C

The following MATH 52B sections are taught in the Math Emporium

Day	32647	TTh	9:30-11:15	607	STAFF	01/13-03/06	OP	T01
Day	32918	TTh	12:30-2:15	607	STAFF	01/13-03/06	OP	T02
Day	32649	MW	12:30-2:15	607	STAFF	01/13-03/06	OP	T03
Day	32650	TTh	3:30-5:15	607	STAFF	01/13-03/06	OP	T04
Day	32920	MW	9:30-11:15	607	STAFF	01/13-03/06	OP	T05
Day	32921	MW	3:30-5:15	607	STAFF	01/13-03/06	OP	T06
Day	32648	TTh	9:30-11:15	607	STAFF	03/16-05/22	OP	T07
Day	32919	TTh	12:30-2:15	607	STAFF	03/16-05/22	OP	T08
Day	32651	MW	12:30-2:15	607	STAFF	03/16-05/22	OP	T09
Day	32652	TTh	3:30-5:15	607	STAFF	03/16-05/22	OP	T10
Day	32922	MW	9:30-11:15	607	STAFF	03/16-05/22	OP	T11
Day	32923	MW	3:30-5:15	607	STAFF	03/16-05/22	OP	T12
Eve	32653	MW	6:30-8:15	607	STAFF	01/13-03/06	OP	T93
Eve	32924	TTh	6:30-8:15	607	STAFF	01/13-03/06	OP	T94
Eve	32654	MW	6:30-8:15	607	STAFF	03/16-05/22	OP	T95
Eve	32925	TTh	6:30-8:15	607	STAFF	03/16-05/22	OP	T96

MATH 53A TECH. INTER. ALGEBRA-WELDING A 2.0 Units

This course provides a survey of algebraic processes with an emphasis on applications in welding. Topics covered include, but are not limited to: algebraic expressions, plane geometry, the geometry of solids, and triangle trigonometry. This course may

D/E	CRN	DAYS	TIMES	ROOM	INSTRUCTOR	DATES	CODES	SEC	D/E	CRN	DAYS	TIMES	ROOM	INSTRUCTOR	DATES	CODES	SEC
-----	-----	------	-------	------	------------	-------	-------	-----	-----	-----	------	-------	------	------------	-------	-------	-----

not be used as a prerequisite for any transfer level course.

Prerequisite: MATH 72C or MATH 72D with a minimum grade of C

The following MATH 53A sections are taught in the Math Emporium

Day	32655	TTh	9:30-11:50	607	STAFF	01/13-03/06	OP	T01
Day	32926	TTh	12:30-2:50	607	STAFF	01/13-03/06	OP	T02
Day	32657	MW	12:30-2:50	607	STAFF	01/13-03/06	OP	T03
Day	32658	TTh	3:30-5:50	607	STAFF	01/13-03/06	OP	T04
Day	32928	MW	9:30-11:50	607	STAFF	01/13-03/06	OP	T05
Day	32929	MW	3:30-5:50	607	STAFF	01/13-03/06	OP	T06
Day	32656	TTh	9:30-11:50	607	STAFF	03/16-05/22	OP	T07
Day	32927	TTh	12:30-2:50	607	STAFF	03/16-05/22	OP	T08
Day	32659	MW	12:30-2:50	607	STAFF	03/16-05/22	OP	T09
Day	32660	TTh	3:30-5:50	607	STAFF	03/16-05/22	OP	T10
Day	32930	MW	9:30-11:50	607	STAFF	03/16-05/22	OP	T11
Day	32931	MW	3:30-5:50	607	STAFF	03/16-05/22	OP	T12
Eve	32661	MW	6:30-8:50	607	STAFF	01/13-03/06	OP	T93
Eve	32932	TTh	6:30-8:50	607	STAFF	01/13-03/06	OP	T94
Eve	32662	MW	6:30-8:50	607	STAFF	03/16-05/22	OP	T95
Eve	32933	TTh	6:30-8:50	607	STAFF	03/16-05/22	OP	T96

MATH 53B TECH.INTER.ALBGEBRA-WELDING B 1.0 Units

This course provides a survey of algebraic processes with an emphasis on applications in welding. Topics covered include, but are not limited to: quadratic equations, functions, and mathematical models. This course may not be used as a prerequisite for any transfer level course.

Prerequisite: MATH 72D and MATH 53A with a minimum grade of C

The following MATH 53B sections are taught in the Math Emporium

Day	32663	TTh	9:30-10:35	607	STAFF	01/13-03/06	OP	T01
Day	32934	TTh	12:30-1:35	607	STAFF	01/13-03/06	OP	T02
Day	32665	MW	12:30-1:35	607	STAFF	01/13-03/06	OP	T03
Day	32666	TTh	3:30-4:35	607	STAFF	01/13-03/06	OP	T04
Day	32936	MW	9:30-10:35	607	STAFF	01/13-03/06	OP	T05
Day	32937	MW	3:30-4:35	607	STAFF	01/13-03/06	OP	T06
Day	32664	TTh	9:30-10:35	607	STAFF	03/16-05/22	OP	T07
Day	32935	TTh	12:30-1:35	607	STAFF	03/16-05/22	OP	T08
Day	32667	MW	12:30-1:35	607	STAFF	03/16-05/22	OP	T09
Day	32668	TTh	3:30-4:35	607	STAFF	03/16-05/22	OP	T10
Day	32938	MW	9:30-10:35	607	STAFF	03/16-05/22	OP	T11
Day	32939	MW	3:30-4:35	607	STAFF	03/16-05/22	OP	T12
Eve	32669	MW	6:30-7:35	607	STAFF	01/13-03/06	OP	T93
Eve	32940	TTh	6:30-7:35	607	STAFF	01/13-03/06	OP	T94
Eve	32670	MW	6:30-7:35	607	STAFF	03/16-05/22	OP	T95
Eve	32941	TTh	6:30-7:35	607	STAFF	03/16-05/22	OP	T96

MATH 55 INTERMEDIATE ALGEBRA FOR BSTEM 5.0 Units

Intermediate algebra concepts, in the service of Business, Science, Technology, Engineering and Math (BSTEM) will be explored in this course including: an introduction to functions; linear and absolute value functions; absolute value equations and inequalities; compound linear inequalities; rational expressions, functions and equations; radical expressions, functions and equations; rational exponents; complex numbers; quadratic functions and equations; inverse of a function; exponential and logarithmic functions; properties of logarithms; exponential and logarithmic equations; conic sections; and systems of equations

and inequalities. Multiple representations, applications and modeling with functions are emphasized throughout.

Strongly Recommended: MATH 110 or MATH 110B or NMAT 210 with a minimum grade of C

A TI-84 or TI-83 calculator or internet-based software may be required for some sections of this course. There may be a fee associated with these materials. Consult with the instructor or bookstore before registering for this course.

This class is offered for credit (MATH 55) or for tuition-free noncredit (NMAT 255).

The following MATH 55 sections are taught in the Math Emporium

Day	32835	TTh	9:30-11:45	607	STAFF	01/13-05/22	OP	X01
Day	32085	TTh	12:30-2:45	607	STAFF	01/13-05/22	OP	X02
Day	32836	MW	12:30-2:45	607	STAFF	01/13-05/22	OP	X03
Day	32837	TTh	3:30-5:45	607	STAFF	01/13-05/22	OP	X04
Day	32086	MW	9:30-11:45	607	STAFF	01/13-05/22	OP	X05
Day	32087	MW	3:30-5:45	607	STAFF	01/13-05/22	OP	X06
Eve	32838	MW	6:30-8:45	607	STAFF	01/13-05/22	OP	X93
Eve	32088	TTh	6:30-8:45	607	STAFF	01/13-05/22	OP	X94

MATH 72A TECH ELEMENTARY ALGEBRA A 1.0 Units

This course provides a survey of computational and elementary algebraic processes with an emphasis on applications in the automotive and welding trades. Topics covered include, but are not limited to: computations with real numbers, ratios, and proportions. This course cannot be used as a prerequisite for Math 50 Core Intermediate Algebra or Math 55 Intermediate Algebra.

The following MATH 72A sections are taught in the Math Emporium

Day	32607	TTh	9:30-10:35	607	STAFF	01/13-03/06	OP	T01
Day	32943	TTh	12:30-1:35	607	STAFF	01/13-03/06	OP	T02
Day	32609	MW	12:30-1:35	607	STAFF	01/13-03/06	OP	T03
Day	32610	TTh	3:30-4:35	607	STAFF	01/13-03/06	OP	T04
Day	32945	MW	9:30-10:35	607	STAFF	01/13-03/06	OP	T05
Day	32946	MW	3:30-4:35	607	STAFF	01/13-03/06	OP	T06
Day	32608	TTh	9:30-10:35	607	STAFF	03/16-05/22	OP	T07
Day	32944	TTh	12:30-1:35	607	STAFF	03/16-05/22	OP	T08
Day	32611	MW	12:30-1:35	607	STAFF	03/16-05/22	OP	T09
Day	32612	TTh	3:30-4:35	607	STAFF	03/16-05/22	OP	T10
Day	32947	MW	9:30-10:35	607	STAFF	03/16-05/22	OP	T11
Day	32948	MW	3:30-4:35	607	STAFF	03/16-05/22	OP	T12
Eve	32613	MW	6:30-7:35	607	STAFF	01/13-03/06	OP	T93
Eve	32949	TTh	6:30-7:35	607	STAFF	01/13-03/06	OP	T94
Eve	32614	MW	6:30-7:35	607	STAFF	03/16-05/22	OP	T95
Eve	32950	TTh	6:30-7:35	607	STAFF	03/16-05/22	OP	T96

MATH 72B TECH. ELEMENTARY ALGEBRA B 1.0 Units

This course provides a survey of computational and elementary algebraic processes with an emphasis on applications in the automotive and welding trades. Topics covered include, but are not limited to: linear equations, the rectangular coordinate system, and linear equations in two variables. This course cannot be used as a prerequisite for Math 50 Intermediate Algebra.

Prerequisite: MATH 72A with a minimum grade of C

The following MATH 72B sections are taught in the Math Emporium

Day	32615	TTh	9:30-10:35	607	STAFF	01/13-03/06	OP	T01
Day	32951	TTh	12:30-1:35	607	STAFF	01/13-03/06	OP	T02

D/E	CRN	DAYS	TIMES	ROOM	INSTRUCTOR	DATES	CODES	SEC	D/E	CRN	DAYS	TIMES	ROOM	INSTRUCTOR	DATES	CODES	SEC
Day	32617	MW	12:30-1:35	607	STAFF	01/13-03/06	OP	T03	Day	32969	MW	9:30-10:35	607	STAFF	01/13-03/06	OP	T05
Day	32618	TTh	3:30-4:35	607	STAFF	01/13-03/06	OP	T04	Day	32970	MW	3:30-4:35	607	STAFF	01/13-03/06	OP	T06
Day	32953	MW	9:30-10:35	607	STAFF	01/13-03/06	OP	T05	Day	32632	TTh	9:30-10:35	607	STAFF	03/16-05/22	OP	T07
Day	32954	MW	3:30-4:35	607	STAFF	01/13-03/06	OP	T06	Day	32968	TTh	12:30-1:35	607	STAFF	03/16-05/22	OP	T08
Day	32616	TTh	9:30-10:35	607	STAFF	03/16-05/22	OP	T07	Day	32635	MW	12:30-1:35	607	STAFF	03/16-05/22	OP	T09
Day	32952	TTh	12:30-1:35	607	STAFF	03/16-05/22	OP	T08	Day	32636	TTh	3:30-4:35	607	STAFF	03/16-05/22	OP	T10
Day	32619	MW	12:30-1:35	607	STAFF	03/16-05/22	OP	T09	Day	32971	MW	9:30-10:35	607	STAFF	03/16-05/22	OP	T11
Day	32620	TTh	3:30-4:35	607	STAFF	03/16-05/22	OP	T10	Day	32972	MW	3:30-4:35	607	STAFF	03/16-05/22	OP	T12
Day	32955	MW	9:30-10:35	607	STAFF	03/16-05/22	OP	T11	Eve	32637	MW	6:30-7:35	607	STAFF	01/13-03/06	OP	T93
Day	32956	MW	3:30-4:35	607	STAFF	03/16-05/22	OP	T12	Eve	32973	TTh	6:30-7:35	607	STAFF	01/13-03/06	OP	T94
Eve	32621	MW	6:30-7:35	607	STAFF	01/13-03/06	OP	T93	Eve	32638	MW	6:30-7:35	607	STAFF	03/16-05/22	OP	T95
Eve	32957	TTh	6:30-7:35	607	STAFF	01/13-03/06	OP	T94	Eve	32974	TTh	6:30-7:35	607	STAFF	03/16-05/22	OP	T96
Eve	32622	MW	6:30-7:35	607	STAFF	03/16-05/22	OP	T95									
Eve	32958	TTh	6:30-7:35	607	STAFF	03/16-05/22	OP	T96									

MATH 72C TECH. ELEMENTARY ALGEBRA C 1.0 Units

This course provides a survey of computational and elementary algebraic processes with an emphasis on applications in the automotive and welding trades. Topics covered include, but are not limited to: percentages and measurement. This course cannot be used as a prerequisite for Math 50 Core Intermediate Algebra or Math 55 Intermediate Algebra.

Prerequisite: MATH 72A or MATH 72B with a minimum grade of C

The following MATH 72C sections are taught in the Math Emporium

Day	32623	TTh	9:30-10:35	607	STAFF	01/13-03/06	OP	T01
Day	32959	TTh	12:30-1:35	607	STAFF	01/13-03/06	OP	T02
Day	32625	MW	12:30-1:35	607	STAFF	01/13-03/06	OP	T03
Day	32626	TTh	3:30-4:35	607	STAFF	01/13-03/06	OP	T04
Day	32961	MW	9:30-10:35	607	STAFF	01/13-03/06	OP	T05
Day	32962	MW	3:30-4:35	607	STAFF	01/13-03/06	OP	T06
Day	32624	TTh	9:30-10:35	607	STAFF	03/16-05/22	OP	T07
Day	32960	TTh	12:30-1:35	607	STAFF	03/16-05/22	OP	T08
Day	32627	MW	12:30-1:35	607	STAFF	03/16-05/22	OP	T09
Day	32628	TTh	3:30-4:35	607	STAFF	03/16-05/22	OP	T10
Day	32963	MW	9:30-10:35	607	STAFF	03/16-05/22	OP	T11
Day	32964	MW	3:30-4:35	607	STAFF	03/16-05/22	OP	T12
Eve	32629	MW	6:30-7:35	607	STAFF	01/13-03/06	OP	T93
Eve	32965	TTh	6:30-7:35	607	STAFF	01/13-03/06	OP	T94
Eve	32630	MW	6:30-7:35	607	STAFF	03/16-05/22	OP	T95
Eve	32966	TTh	6:30-7:35	607	STAFF	03/16-05/22	OP	T96

MATH 72D TECH. ELEMENTARY ALGEBRA D 1.0 Units

This course provides a survey of computational and elementary algebraic processes with an emphasis on applications in the automotive and welding trades. Topics covered include, but are not limited to: the rectangular coordinate system, linear equations in two variables, and systems of linear equations. This course cannot be used as a prerequisite for Math 50 Core Intermediate Algebra or Math 55 Intermediate Algebra.

Prerequisite: MATH 72B and MATH 72C with a minimum grade of C

The following MATH 72D sections are taught in the Math Emporium

Day	32631	TTh	9:30-10:35	607	STAFF	01/13-03/06	OP	T01
Day	32967	TTh	12:30-1:35	607	STAFF	01/13-03/06	OP	T02
Day	32633	MW	12:30-1:35	607	STAFF	01/13-03/06	OP	T03
Day	32634	TTh	3:30-4:35	607	STAFF	01/13-03/06	OP	T04

MATH 107 PRE-ALGEBRA 4.0 Units

This course is intended to serve as a bridge between arithmetic and Elementary Algebra. It includes a review of arithmetic, operations involving signed integers, fractions and decimals, variables and variable expressions, simple linear equations and their graphs, percent and proportion, introduction to statistics, geometry and measurement, and application problems.

This course is taught in the Math Emporium, a self-accelerated, guided, independent learning mode. Students registering for this section are required to purchase and use the internet-based software MyMathLab, which contains an online version of the text. For more information, go to the Mathematics Department website <http://www.laspositascollege.edu/mathemporium>.

The following MATH 107 sections are taught in the Math Emporium

Day	32089	TTh	9:30-10:45	607	STAFF	01/13-05/22	OP	X01
	Lab	TTh	11:00-12:15	607		01/13-05/22	OP	
Day	32843	TTh	12:30-1:45	607	STAFF	01/13-05/22	OP	X02
	Lab	TTh	2:00-3:15	607		01/13-05/22	OP	
Day	32090	MW	12:30-1:45	607	STAFF	01/13-05/22	OP	X03
	Lab	MW	2:00-3:15	607		01/13-05/22	OP	
Day	32091	TTh	3:30-4:45	607	STAFF	01/13-05/22	OP	X04
	Lab	TTh	5:00-6:15	607		01/13-05/22	OP	
Day	32844	MW	9:30-10:45	607	STAFF	01/13-05/22	OP	X05
	Lab	MW	11:00-12:15	607		01/13-05/22	OP	
Day	32845	MW	3:30-4:45	607	STAFF	01/13-05/22	OP	X06
	Lab	MW	5:00-6:15	607		01/13-05/22	OP	
Eve	32092	MW	6:30-7:45	607	STAFF	01/13-05/22	OP	X93
	Lab	MW	8:00-9:15	607		01/13-05/22	OP	
Eve	32846	TTh	6:30-7:45	607	STAFF	01/13-05/22	OP	X94
	Lab	TTh	8:00-9:15	607		01/13-05/22	OP	

MATH 110 ELEMENTARY ALGEBRA 4.0 Units

Elementary algebra concepts, including: real numbers and their properties; algebraic expressions; integer exponents; operations with polynomial expressions; operations with polynomial expressions; linear and quadratic equations; linear inequalities and set notation; graphs of linear equations and inequalities; slope; systems of linear equations and inequalities; and modeling with linear and quadratic equations.

Strongly Recommended: MATH 107 or MATH 107B or NMAT 207 with a minimum grade of C

The following MATH 110 sections are taught in the Math Emporium

Day	32839	TTh	9:30-11:20	607	STAFF	01/13-05/22	OP	X01
	Lab	Tue	11:30-12:20	607		01/13-05/22	OP	

D/E	CRN	DAYS	TIMES	ROOM	INSTRUCTOR	DATES	CODES	SEC	D/E	CRN	DAYS	TIMES	ROOM	INSTRUCTOR	DATES	CODES	SEC
Day	32542	TTh	12:30-2:20	607	STAFF	01/13-05/22	OP	X02									
	Lab	Tue	2:30-3:20	607		01/13-05/22	OP										
Day	32840	MW	12:30-2:20	607	STAFF	01/13-05/22	OP	X03									
	Lab	Mon	2:30-3:20	607		01/13-05/22	OP										
Day	32841	TTh	3:30-5:20	607	STAFF	01/13-05/22	OP	X04									
	Lab	Tue	5:30-6:20	607		01/13-05/22	OP										
Day	32543	MW	9:30-11:20	607	STAFF	01/13-05/22	OP	X05									
	Lab	Mon	11:30-12:20	607		01/13-05/22	OP										
Day	32544	MW	3:30-5:20	607	STAFF	01/13-05/22	OP	X06									
	Lab	Mon	5:30-6:20	607		01/13-05/22	OP										
Eve	32842	MW	6:30-8:20	607	STAFF	01/13-05/22	OP	X93									
	Lab	Mon	8:30-9:20	607		01/13-05/22	OP										
Eve	32545	TTh	6:30-8:20	607	STAFF	01/13-05/22	OP	X94									
	Lab	Tue	8:30-9:20	607		01/13-05/22	OP										

techniques of integration; polar and parametric equations; infinite sequences, series, power series and Taylor series; applications of integration. Primarily for mathematics, physical science and engineering majors.

Prerequisite: MATH 1 with a minimum grade of C

It is expected that any student enrolling in Math 2 has had a Calculus I course which included an introduction to integration and its application to areas and volumes. This LPC course is taught with late transcendentals.

A TI-84 or TI-83 calculator or internet-based software may be required for some sections of this course. There may be a fee associated with these materials. Consult with the instructor or bookstore before registering for this course.

Day	31805	MWF	11:00-12:25	1874	STAFF	01/13-05/22	GR	V01
Day	31912	MWF	9:30-10:55	1874	STAFF	01/13-05/22	GR	V02
Day	32079	TTh	11:00-1:15	1001	STAFF	01/13-05/22	GR	V03
Eve	31796	MW	7:30-9:45	1060	STAFF	01/13-05/22	GR	093
Eve	33417	TTh	5:00-7:15	1874	STAFF	01/13-05/22	GR	094

LECTURE AND HYBRID CLASSES

Classes taken in these modes are guided by the instructor. Students in a lecture class will meet 2-3 times a week as scheduled. Students in Hybrid Classes will meet as scheduled and will need to complete the remainder of the course online. Hybrid courses are marked with section IDs of HD#.

Students will be required to purchase internet-based software for hybrid math classes. For more information, see the section titled "Online Learning" in this schedule, or go to <http://www.laspositascollege.edu/onlinelearning>.

For some lecture classes, a TI-84 or TI-83 calculator or internet-based software may be required for some sections of a course. There may be a fee associated with these materials. Consult with the instructor or bookstore before registering for this course.

MATH 3 MULTIVARIABLE CALCULUS

5.0 Units

Vector valued functions, functions of several variables, partial differentiation, multiple integration, change of variables theorem, scalar and vector fields, gradient, divergence, curl, line integral, surface integral, Green's Stokes' and divergence theorem, applications.

Prerequisite: MATH 2 with a minimum grade of C

A TI-84 or TI-83 Calculator may be required for this course. Consult with the instructor before buying a calculator for this course.

Day	30140	MWF	11:00-12:25	1001	STAFF	01/13-05/22	GR	V01
Day	33589	TTh	11:00-1:15	102	STAFF	01/13-05/22	GR	V03
Eve	31413	MW	7:30-9:45	1001	STAFF	01/13-05/22	GR	093
Eve	32080	TTh	5:00-6:15	*	STAFF	01/13-05/22	GR	094

*offsite room meets at AMADOR VALLEY HIGH SCHOOL
1155 SANTA RITA ROAD PLEASANTON, CA

MATH 3-094 will be held at Amador Valley High School in Room H2. This class is a 5-unit year-long course, a continuation of MATH 3-094. Students will be continuing the Fall semester course and will receive a final grade at the end of the Spring semester. Students MUST have enrolled in the first half of the class for the Fall semester to receive credit. High school students continuing from Math 3-094 will need to complete the concurrent enrollment form for spring semester.

MATH I CALCULUS I

5.0 Units

An introduction to single-variable differential and integral calculus including: functions, limits and continuity; techniques and applications of differentiation and integration; the Fundamental Theorem of Calculus; areas and volumes of solids of revolution.

Prerequisite: MATH 30 and MATH 39 or MATH 38 with a minimum grade of C

Math I includes an introduction to integration and its application to areas and volumes. Any student enrolling in this course should be aware that the content may differ from a similar course taught at other schools. If you are not an LPC student, check with the Mathematics Department at your school to be sure this course is similar to the one taught there. This LPC calculus course is taught with late transcendentals.

A TI-84 or TI-83 calculator or internet-based software may be required for some sections of this course. There may be a fee associated with these materials. Consult with the instructor or bookstore before registering for this course.

Day	31804	MWF	11:00-12:25	1871	STAFF	01/13-05/22	GR	V01
Day	31690	MWF	9:30-10:55	1871	STAFF	01/13-05/22	GR	V02
Day	31754	TTh	11:00-1:15	1874	STAFF	01/13-05/22	GR	V03
Day	32757	TTh	8:00-10:15	1001	STAFF	01/13-05/22	GR	V04
Eve	31795	MW	7:30-9:45	1874	STAFF	01/13-05/22	GR	093
Eve	32147	TTh	5:00-7:15	503	STAFF	01/13-05/22	GR	094
Eve	33416	TTh	7:30-9:45	1873	STAFF	01/13-05/22	GR	095

MATH 5 ORDINARY DIFFERENTIAL EQUATION

3.5 Units

Introduction to differential equations including the conditions under which a unique solution exists, techniques for obtaining solutions, and applications. Techniques include generation of series, solutions, use of Laplace Transforms, and the use of eigenvalues to solve linear systems. Generation of exact solutions, approximate solutions, and graphs of solutions using MATLAB.

Prerequisite: MATH 3 with a minimum grade of C

A TI-84 or TI-83 Calculator may be required for this course. Consult with the instructor before buying a calculator for this course.

Eve	30265	Mon	7:30-9:20	2414	STAFF	01/13-05/22	GR	093
		Wed	7:30-8:20	2414		01/13-05/22	GR	
	Lab	Wed	8:30-9:45	2414		01/13-05/22	GR	

MATH 7 ELEMENTARY LINEAR ALGEBRA

3.5 Units

An introduction to linear algebra including: techniques and theory needed to solve and classify systems of linear equations using Gaussian elimination and matrix algebra; properties of vectors in n-dimensions; generalized vector spaces, inner

D/E	CRN	DAYS	TIMES	ROOM	INSTRUCTOR	DATES	CODES	SEC	D/E	CRN	DAYS	TIMES	ROOM	INSTRUCTOR	DATES	CODES	SEC	
									Day	33418	Tue	1:30-3:45	1871	STAFF	01/13-05/22	GR	V06	
											Th	1:30-2:45	1871		01/13-05/22	GR		
											Lab	Th	3:00-3:50	1871	01/13-05/22	GR		
									Day	33419	Tue	8:00-10:15	503	STAFF	01/13-05/22	GR	V07	
											Th	8:00-9:15	503		01/13-05/22	GR		
											Lab	Th	9:30-10:20	503	01/13-05/22	GR		
									Day	32533	Lab	Fri	9:30-11:50	1004	STAFF	01/13-03/06	GR	FTI
											MWR	9:30-12:20	1004		01/13-03/06	GR		

product spaces, basis, norms, orthogonality; eigenvalues, eigenspaces; and linear transformations. Selected applications of linear algebra, including the use of MATLAB to solve problems involving advanced numerical computation.

Prerequisite: MATH 2 with a minimum grade of C

A TI-84 or TI-83 Calculator may be required for this course. Consult with the instructor before buying a calculator for this course.

Day	30266	Tue	11:00-12:50	2414	STAFF	01/13-05/22	GR	V01
		Th	11:00-11:50	2414		01/13-05/22	GR	
		Lab	Th	12:00-1:15	2414	01/13-05/22	GR	

MATH 10 DISCRETE MATHEMATICS 4.0 Units

Designed for majors in mathematics and computer science, this course provides an introduction to discrete mathematical structures used in Computer Science and their applications. Course content includes: Propositional and predicate logic; rules of inference; quantifiers; elements of integer number theory; set theory; methods of proof; induction; combinatorics and discrete probability; functions and relations; recursive definitions and recurrence relations; elements of graph theory and trees. Applications include: analysis of algorithms, Boolean algebras and digital logic circuits. Students who have completed, or are enrolled in, CS 17 may not receive credit.

Prerequisite: MATH 1 and CS 1 with a minimum grade of C (May be taken concurrently)

A TI-84 or TI-83 Calculator may be required for this course. Consult with the instructor before buying a calculator for this course.

Day	30601	Tue	8:30-10:45	1060	STAFF	01/13-05/22	GR	V01
		Th	8:30-9:45	1060		01/13-05/22	GR	
		Lab	Th	9:55-10:45	1060	01/13-05/22	GR	

MATH 30 COLLEGE ALGEBRA FOR STEM 4.0 Units

College algebra core concepts relating to Science, Technology, Engineering and Mathematics (STEM) and Business fields are explored, such as: polynomial, rational, radical, exponential, absolute value, and logarithmic functions; systems of equations; theory of polynomial equations; and analytic geometry. Multiple representations, applications and modeling with functions are emphasized throughout. May not receive credit if Mathematics 20 or 45 have been completed.

Prerequisite: MATH 55 or MATH 55B or NMAT 255 with a minimum grade of C

A TI-84 or TI-83 Calculator or internet-based software may be required for some sections of this course. There may be a fee associated with these materials. Consult with the instructor or bookstore before registering for this course.

Day	32526	MW	8:00-9:15	1003	STAFF	01/13-05/22	GR	V01
		Fri	8:00-8:50	1003		01/13-05/22	GR	
		Lab	Fri	9:00-9:50	1003	01/13-05/22	GR	
Day	32527	MW	11:30-12:45	503	STAFF	01/13-05/22	GR	V02
		Fri	11:30-12:20	503		01/13-05/22	GR	
		Lab	Fri	12:30-1:20	503	01/13-05/22	GR	
Day	32528	Mon	3:00-5:15	1001	STAFF	01/13-05/22	GR	V03
		Wed	3:00-4:15	1001		01/13-05/22	GR	
		Lab	Wed	4:30-5:20	1001	01/13-05/22	GR	
Day	32529	Tue	10:30-12:45	101	STAFF	01/13-05/22	GR	V04
		Th	10:30-11:45	101		01/13-05/22	GR	
		Lab	Th	12:00-12:50	101	01/13-05/22	GR	
Day	32530	Tue	3:30-5:45	1001	STAFF	01/13-05/22	GR	V05
		Th	3:30-4:45	1001		01/13-05/22	GR	
		Lab	Th	5:00-5:50	1001	01/13-05/22	GR	

Day	33418	Tue	1:30-3:45	1871	STAFF	01/13-05/22	GR	V06
		Th	1:30-2:45	1871		01/13-05/22	GR	
		Lab	Th	3:00-3:50	1871	01/13-05/22	GR	
Day	33419	Tue	8:00-10:15	503	STAFF	01/13-05/22	GR	V07
		Th	8:00-9:15	503		01/13-05/22	GR	
		Lab	Th	9:30-10:20	503	01/13-05/22	GR	
Day	32533	Lab	Fri	9:30-11:50	1004	STAFF	01/13-03/06	GR
		MWR	9:30-12:20	1004		01/13-03/06	GR	

MATH 30- FTI is an 8-week Fast Track course designed specifically for students pursuing a degree or transfer in a STEM Field, with emphasis towards supporting the completion of the A.S. Engineering Technology degree. The material in this course therefore will be heavily contextualized in STEM applications, with emphasis in engineering technology. Ideally students that enroll in this section are also interested in enrolling Math 39-FT2: Trigonometry course that will be offered at the same days and times during the second 8 weeks of the semester.

Eve	32531	Mon	8:00-10:15	503	STAFF	01/13-05/22	GR	093
		Wed	8:00-9:15	503		01/13-05/22	GR	
		Lab	Wed	9:20-10:10	503	01/13-05/22	GR	
Eve	32532	Tue	7:30-9:45	503	STAFF	01/13-05/22	GR	094
		Th	7:30-8:45	503		01/13-05/22	GR	
		Lab	Th	9:00-9:50	503	01/13-05/22	GR	

MATH 33 FINITE MATHEMATICS 4.0 Units

Linear functions, systems of linear equations and inequalities, exponential and logarithmic functions and applications, matrices, linear programming, mathematics of finance, sets and Venn diagrams, combinatorial techniques and an introduction to probability. Applications in business, economics and social sciences.

Prerequisite: MATH 50 or MATH 55 or MATH 55B with a minimum grade of C

A TI-84 or TI-83 calculator or internet-based software may be required for some sections of this course. There may be a fee associated with these materials. Consult with the instructor or bookstore before registering for this course.

Day	33452	TTh	1:30-3:20	1001	STAFF	01/13-05/22	GR	V01
-----	-------	-----	-----------	------	-------	-------------	----	-----

MATH 34 CALC FOR BUS AND SOC SCIENCES 5.0 Units

Functions and their graphs; limits of functions; differential and integral calculus of algebraic, exponential and logarithmic functions. Applications in business, economics, and social sciences and use of graphing calculators. Partial derivatives and the method of Lagrange multipliers.

Prerequisite: MATH 55 or MATH 55B with a minimum grade of C

A TI-84 or TI-83 Calculator or internet-based software may be required for some sections of this course. There may be a fee associated with these materials. Consult with the instructor or bookstore before registering for this course.

Day	33420	MWF	8:00-9:25	1874	STAFF	01/13-05/22	GR	V01
Day	31162	MWF	12:30-1:55	1874	STAFF	01/13-05/22	GR	V02
		Lab	By Arr	1.0 Hrs/Wk	600	01/13-05/22	GR	
Day	32148	TTh	2:00-4:15	1874	STAFF	01/13-05/22	GR	V03
		Lab	By Arr	1.0 Hrs/Wk	600	01/13-05/22	GR	
Eve	31382	TTh	7:30-9:45	1874	STAFF	01/13-05/22	GR	093
		Lab	By Arr	1.0 Hrs/Wk	600	01/13-05/22	GR	

Web 33421 ONLINE/HYBRID STAFF 01/13-05/22 GR HDI

MATH 34-HDI is an online course. Students will be required to complete the course online. The course information is tentative. See the online course schedule for any updated information for required meeting dates/times/

D/E	CRN	DAYS	TIMES	ROOM	INSTRUCTOR	DATES	CODES	SEC	D/E	CRN	DAYS	TIMES	ROOM	INSTRUCTOR	DATES	CODES	SEC
-----	-----	------	-------	------	------------	-------	-------	-----	-----	-----	------	-------	------	------------	-------	-------	-----

locations. Students may be required to purchase internet-based software for this class. For more information, see the section titled "Online Learning" in this schedule, or go to <http://www.laspositascollege.edu/onlinelearning>.

Web 33422 ONLINE/HYBRID STAFF 01/13-05/22 GR HD2
MATH 34-HD2 is an online course. Students will be required to complete the course online. The course information is tentative. See the online course schedule for any updated information for required meeting dates/times/locations. Students may be required to purchase internet-based software for this class. For more information, see the section titled "Online Learning" in this schedule, or go to <http://www.laspositascollege.edu/onlinelearning>.

MATH 39 TRIGONOMETRY 4.0 Units

Trigonometry includes definitions of the trigonometric functions and their inverses, graphs of the trigonometric functions and their inverses, trigonometric equations, trigonometric expressions and identities, including proofs, an introduction to vectors, polar coordinates and complex numbers. Applications include solving right triangles and solving triangles using the law of sines and the law of cosines.

Prerequisite: MATH 55 or MATH 55B with a minimum grade of C.

A TI-84 or TI-83 Calculator or internet-based software may be required for some sections of this course. There may be a fee associated with these materials. Consult with the instructor or bookstore before registering for this course.

Day	31913	Mon	9:30-10:20	1003	STAFF	01/13-05/22	GR	V01
		WF	10:00-11:15	1003		01/13-05/22	GR	
		Lab Mon	10:30-11:20	1003		01/13-05/22	GR	
Day	31916	MW	1:30-2:45	503	STAFF	01/13-05/22	GR	V02
		Fri	1:30-2:20	503		01/13-05/22	GR	
		Lab Fri	2:30-3:20	503		01/13-05/22	GR	
Day	31915	Mon	3:00-5:15	1060	STAFF	01/13-05/22	GR	V03
		Wed	3:00-4:15	1060		01/13-05/22	GR	
		Lab Wed	4:30-5:20	1060		01/13-05/22	GR	
Day	31914	Tue	8:00-10:15	1826	STAFF	01/13-05/22	GR	V04
		Th	8:00-9:15	1826		01/13-05/22	GR	
		Lab Th	9:30-10:20	1826		01/13-05/22	GR	
Day	32236	Tue	1:00-3:15	1816	STAFF	01/13-05/22	GR	V05
		Th	1:00-2:15	1816		01/13-05/22	GR	
		Lab Th	2:30-3:20	1816		01/13-05/22	GR	
Day	33423	MW	8:00-9:15	1826	STAFF	01/13-05/22	GR	V06
		Fri	8:00-8:50	1826		01/13-05/22	GR	
		Lab Fri	9:00-9:50	1826		01/13-05/22	GR	
Day	33424	Tue	12:00-2:15	1003	STAFF	01/13-05/22	GR	V07
		Th	12:00-1:15	1003		01/13-05/22	GR	
		Lab Th	1:30-2:20	1003		01/13-05/22	GR	
Day	32534	MWR	9:30-12:20	1004	STAFF	03/16-05/22	GR	FT2
		Lab Fri	9:30-11:50	1004		03/16-05/22	GR	

MATH 39-FT2 is an 8-week fast track course designed specifically for students pursuing a degree or transfer in a STEM Field, with emphasis towards supporting the completion of the A.S. Engineering Technology degree. The material in this course therefore will be heavily contextualized in STEM applications, with emphasis in engineering technology. Ideally students that enroll in this section are also interested in enrolling Math 30-FT1: College Algebra for STEM course that is offered at the same days and times during the first 8 weeks of the semester.

Eve	31917	Mon	8:00-10:15	1872	STAFF	01/13-05/22	GR	093
		Wed	8:00-9:15	1872		01/13-05/22	GR	
		Lab Wed	9:20-10:10	1872		01/13-05/22	GR	
Eve	32149	Tue	7:30-9:45	1872	STAFF	01/13-05/22	GR	094
		Th	7:30-8:45	1872		01/13-05/22	GR	
		Lab Th	9:00-9:50	1872		01/13-05/22	GR	

MATH 40 STATISTICS AND PROBABILITY 4.0 Units

Descriptive statistics, including measures of central tendency, dispersion and position; elements of probability; confidence intervals; hypothesis tests; two-population comparisons; correlation and regression; goodness of fit; analysis of variance; applications in various fields. Introduction to the use of a computer software package to complete both descriptive and inferential statistics problems.

Prerequisites: Math 50 or Math 55 or Math 55B with a minimum grade of C

A TI-84 or TI-83 calculator or internet-based software may be required for some sections of this course. There may be a fee associated with these materials. Consult with the instructor or bookstore before registering for this course.

Day	31383	MW	8:00-9:15	2414	STAFF	01/13-05/22	GR	V01
		Fri	8:00-8:50	2414		01/13-05/22	GR	
		Lab Fri	9:00-9:50	2414		01/13-05/22	GR	
Day	31384	Mon	9:30-11:45	2414	STAFF	01/13-05/22	GR	V02
		Wed	9:30-10:45	2414		01/13-05/22	GR	
		Lab Wed	11:00-11:50	2414		01/13-05/22	GR	
Day	31385	MW	12:00-1:15	2414	STAFF	01/13-05/22	GR	V03
		Fri	11:00-11:50	2414		01/13-05/22	GR	
		Lab Fri	12:00-12:50	2414		01/13-05/22	GR	
Day	31386	Tue	8:00-10:15	2414	STAFF	01/13-05/22	GR	V04
		Th	8:00-9:15	2414		01/13-05/22	GR	
		Lab Th	9:30-10:20	2414		01/13-05/22	GR	
Day	31387	MW	2:00-3:15	2416	STAFF	01/13-05/22	GR	V05
		Fri	2:00-2:50	2416		01/13-05/22	GR	
		Lab Fri	3:00-3:50	2416		01/13-05/22	GR	
Day	31388	Tue	2:00-4:15	2414	STAFF	01/13-05/22	GR	V06
		Th	2:00-3:15	2414		01/13-05/22	GR	
		Lab Th	3:30-4:20	2414		01/13-05/22	GR	
Day	31389	Tue	11:00-1:15	1002	STAFF	01/13-05/22	GR	V07
		Th	11:00-12:15	1002		01/13-05/22	GR	
		Lab Th	12:30-1:20	1002		01/13-05/22	GR	
Day	31390	Mon	1:00-3:15	1004	STAFF	01/13-05/22	GR	V08
		Wed	1:00-2:15	1004		01/13-05/22	GR	
		Lab Wed	2:30-3:20	1004		01/13-05/22	GR	
Day	33453	Tue	2:00-4:15	1004	STAFF	01/13-05/22	GR	V09
		Th	2:00-3:15	1004		01/13-05/22	GR	
		Lab Th	3:30-4:20	1004		01/13-05/22	GR	
Day	33454	Mon	2:00-4:15	2414	STAFF	01/13-05/22	GR	V10
		Wed	2:00-3:15	2414		01/13-05/22	GR	
		Lab Wed	3:30-4:20	2414		01/13-05/22	GR	
Day	33455	Mon	2:30-4:45	1002	STAFF	01/13-05/22	GR	V11
		Wed	2:30-3:45	1002		01/13-05/22	GR	
		Lab Wed	4:00-4:50	1002		01/13-05/22	GR	
Day	33456	Tue	2:00-4:15	1002	STAFF	01/13-05/22	GR	V12
		Th	2:00-3:15	1002		01/13-05/22	GR	
		Lab Th	3:30-4:20	1002		01/13-05/22	GR	

D/E	CRN	DAYS	TIMES	ROOM	INSTRUCTOR	DATES	CODES	SEC	D/E	CRN	DAYS	TIMES	ROOM	INSTRUCTOR	DATES	CODES	SEC	
Day	33457	Mon	9:30-11:45	1002	STAFF	01/13-05/22	GR	V13	MATH 47 MATHEMATICS FOR LIBERAL ARTS 3.0 Units An introduction to a variety of mathematical concepts for students interested in liberal arts. Intended to cultivate an appreciation of the significance of mathematics in daily life and help develop students' mathematical reasoning. Topics include personal finance, probability and statistics, logic, exponential growth, and graph theory. <i>Prerequisite: MATH 55 or MATH 55B or MATH 50 with a minimum grade of C</i> <i>A TI-84 or TI-83 Calculator or internet-based software may be required for some sections of this course. There may be a fee associated with these materials. Consult with the instructor or bookstore before registering for this course.</i>	31674	Mon	3:30-5:20	1003	STAFF	01/13-05/22	GR	V01	
		Wed	9:30-10:45	1002		01/13-05/22	GR				Wed	3:30-4:20	1003			01/13-05/22	GR	
		Lab Wed	11:00-11:50	1002		01/13-05/22	GR				Lab Wed	4:30-5:20	1003			01/13-05/22	GR	
Day	33591	Mon	12:00-2:15	1002	STAFF	01/13-05/22	GR	V14	31691	Tue	10:00-11:50	1003	STAFF		01/13-05/22	GR	V02	
		Wed	12:00-1:15	1002		01/13-05/22	GR			Th	10:00-10:50	1003			01/13-05/22	GR		
		Lab Wed	1:25-2:15	1002		01/13-05/22	GR			Lab Th	11:00-11:50	1003			01/13-05/22	GR		
Day	33592	Tue	9:30-11:45	2416	STAFF	01/13-05/22	GR	V15	33425	Mon	8:00-9:50	1051	STAFF		01/13-05/22	GR	V03	
		Th	9:30-10:45	2416		01/13-05/22	GR			Wed	8:00-8:50	1051			01/13-05/22	GR		
		Lab Th	11:00-11:50	2416		01/13-05/22	GR			Lab Wed	9:00-9:50	1051			01/13-05/22	GR		
Eve	31392	Mon	5:00-7:15	1002	STAFF	01/13-05/22	GR	093	31918	Mon	5:30-7:20	1001	STAFF		01/13-05/22	GR	093	
		Wed	5:00-6:15	1002		01/13-05/22	GR			Wed	5:30-6:20	1001			01/13-05/22	GR		
		Lab Wed	6:20-7:10	1002		01/13-05/22	GR			Lab Wed	6:30-7:20	1001			01/13-05/22	GR		
Eve	31412	Mon	7:30-9:45	1002	STAFF	01/13-05/22	GR	094										
		Wed	7:30-8:45	1002		01/13-05/22	GR											
		Lab Wed	8:50-9:40	1002		01/13-05/22	GR											
Eve	31393	Tue	5:00-7:15	1002	STAFF	01/13-05/22	GR	095										
		Th	5:00-6:15	1002		01/13-05/22	GR											
		Lab Th	6:20-7:10	1002		01/13-05/22	GR											
Eve	31394	Tue	7:30-9:45	1002	STAFF	01/13-05/22	GR	096										
		Th	7:30-8:45	1002		01/13-05/22	GR											
		Lab Th	8:50-9:40	1002		01/13-05/22	GR											
Eve	31391	Mon	5:00-7:15	1004	STAFF	01/13-05/22	GR	097										
		Wed	5:00-6:15	1004		01/13-05/22	GR											
		Lab Wed	6:20-7:10	1004		01/13-05/22	GR											
Eve	32758	Tue	5:00-7:15	1004	STAFF	01/13-05/22	GR	098										
		Th	5:00-6:15	1004		01/13-05/22	GR											
		Lab Th	6:20-7:10	1004		01/13-05/22	GR											
Day	31411	Fri	2:00-3:50	2414	STAFF	01/13-05/22	GR	DEI										
			ONLINE/HYBRID			01/13-05/22	GR											

MATH 40-DEI is a hybrid course. Students will be required to complete the course online. The course information is tentative. See the online course schedule for any updated information for required meeting dates/times/locations. For more information, see the section titled "Online Learning" in this schedule, or go to <http://www.laspositascollege.edu/onlinelearning>.

Day	32150	Fri	2:00-3:50	1002	STAFF	01/13-05/22	GR	HDI
			ONLINE/HYBRID			01/13-05/22	GR	

MATH 40-HDI is a hybrid course. Students will be required to complete the course online. The course information is tentative. See the online course schedule for any updated information for required meeting dates/times/locations. For more information, see the section titled "Online Learning" in this schedule, or go to <http://www.laspositascollege.edu/onlinelearning>.

Day	33458	Tue	10:00-11:50	1004	STAFF	01/13-05/22	GR	HD2
			ONLINE/HYBRID			01/13-05/22	GR	

MATH 40-HD2 is a hybrid course. Students will be required to complete the course online. The course information is tentative. See the online course schedule for any updated information for required meeting dates/times/locations. For more information, see the section titled "Online Learning" in this schedule, or go to <http://www.laspositascollege.edu/onlinelearning>.

Day	33593	Fri	10:00-11:50	2416	STAFF	01/13-05/22	GR	HYI
			ONLINE/HYBRID			01/13-05/22	GR	

MATH 40-HYI is a hybrid course. Students will be required to complete the course online. The course information is tentative. See the online course schedule for any updated information for required meeting dates/times/locations. For more information, see the section titled "Online Learning" in this schedule, or go to <http://www.laspositascollege.edu/onlinelearning>.

Day	31674	Mon	3:30-5:20	1003	STAFF	01/13-05/22	GR	V01
		Wed	3:30-4:20	1003		01/13-05/22	GR	
		Lab Wed	4:30-5:20	1003		01/13-05/22	GR	
Day	31691	Tue	10:00-11:50	1003	STAFF	01/13-05/22	GR	V02
		Th	10:00-10:50	1003		01/13-05/22	GR	
		Lab Th	11:00-11:50	1003		01/13-05/22	GR	
Day	33425	Mon	8:00-9:50	1051	STAFF	01/13-05/22	GR	V03
		Wed	8:00-8:50	1051		01/13-05/22	GR	
		Lab Wed	9:00-9:50	1051		01/13-05/22	GR	
Eve	31918	Mon	5:30-7:20	1001	STAFF	01/13-05/22	GR	093
		Wed	5:30-6:20	1001		01/13-05/22	GR	
		Lab Wed	6:30-7:20	1001		01/13-05/22	GR	

MATH 50 INTERMEDIATE ALGEBRA FOR SLAM 4.0 Units

This is an Intermediate Algebra course for students interested in fields of study that require Statistics or Liberal Arts Mathematics (SLAM). Intermediate algebra concepts will be explored in the context of the function. Function concepts covered include: distinction between functions and relations, domain and range, function notation, multiple representation of functions, behavior of functions, operations with functions (including composition), one-to-one and invertible functions. Types of functions considered: polynomial, rational, radical, exponential and logarithmic functions. The course quantitative data. Standards for mathematical practice, applications of functions, and modeling with functions are emphasized throughout.

Strongly Recommended: MATH 110 or MATH 110B or NMAT 210 with a minimum grade of C

A TI-84 or TI-83 calculator or internet-based software will be required for all sections of this course. There may be a fee associated with these materials. Consult with the instructor or bookstore before registering for this course.

MATH 50 is offered for credit (MATH 50) or for tuition-free noncredit (NMAT 250)

Day	31919	MWF	8:00-8:50	1001	STAFF	01/13-05/22	OP	V01
		Lab MWF	9:00-9:50	1001		01/13-05/22	OP	
Day	32764	TTh	10:30-11:45	503	STAFF	01/13-05/22	OP	V02
		Lab TTh	11:55-1:10	503		01/13-05/22	OP	
Eve	31921	TTh	6:30-7:45	1003	STAFF	01/13-05/22	OP	093
		Lab TTh	8:00-9:15	1003		01/13-05/22	OP	

MATH 55 INTERMEDIATE ALGEBRA FOR BSTEM 5.0 Units

Intermediate algebra concepts, in the service of Business, Science, Technology, Engineering and Math (BSTEM) will be explored in this course including: an introduction to functions; linear and absolute value functions; absolute value equations and

D/E	CRN	DAYS	TIMES	ROOM	INSTRUCTOR	DATES	CODES	SEC	D/E	CRN	DAYS	TIMES	ROOM	INSTRUCTOR	DATES	CODES	SEC
-----	-----	------	-------	------	------------	-------	-------	-----	-----	-----	------	-------	------	------------	-------	-------	-----

inequalities; compound linear inequalities; rational expressions, functions and equations; radical expressions, functions and equations; rational exponents; complex numbers; quadratic functions and equations; inverse of a function; exponential and logarithmic functions; properties of logarithms; exponential and logarithmic equations; conic sections; and systems of equations and inequalities. Multiple representations, applications and modeling with functions are emphasized throughout.

Strongly Recommended: MATH 110 or MATH 110B or NMAT 210 with a minimum grade of C

A TI-84 or TI-83 calculator or internet-based software may be required for some sections of this course. There may be a fee associated with these materials. Consult with the instructor or bookstore before registering for this course.

MATH 55 is offered for credit (MATH 55) or for tuition-free noncredit (NMAT 255)

Day	30382	MWF	12:30-1:55	1001	STAFF	01/13-05/22	OP	V01
	Lab	By Arr	1.0 Hrs/Wk	600		01/13-05/22	OP	
Eve	31752	MW	7:30-9:45	1003	STAFF	01/13-05/22	OP	093
	Lab	By Arr	1.0 Hrs/Wk	600		01/13-05/22	OP	

MATH 110 ELEMENTARY ALGEBRA 4.0 Units

Elementary algebra concepts, including: real numbers and their properties; algebraic expressions; integer exponents; operations with polynomial expressions; operations with polynomial expressions; linear and quadratic equations; linear inequalities and set notation; graphs of linear equations and inequalities; slope; systems of linear equations and inequalities; and modeling with linear and quadratic equations.

Strongly Recommended: MATH 107 or MATH 107B or NMAT 207 with a minimum grade of C

A TI-84 or TI-83 calculator or internet-based software may be required for some sections of this course. There may be a fee associated with these materials. Consult with the instructor or bookstore before registering for this course.

MATH 110 is offered for credit (MATH 110) or for tuition-free noncredit (NMAT 210)

Eve	32539	TTh	8:00-9:50	1003	STAFF	01/13-05/22	OP	093
	Lab	By Arr	1.0 Hrs/Wk	600		01/13-05/22	OP	

ALL CONCURRENT SUPPORT COURSES

These STRONGLY RECOMMENDED 1-unit lab courses are aligned with your math course and designed with innovative strategies to provide math and learning support while taking a math course. Whether your math class is foundational or transfer level, the concurrent support provides assistance in understanding the content in your current math course while learning essential study skills necessary to succeed in college courses.

These classes are offered for credit or tuition-free (noncredit), with the exception of MATH 66C, 67C, and 68C.

MATH 66C SUPPORT FOR CALCULUS I 1.0 Units

This course offers structured support to students who are concurrently enrolled in Calculus I. The support course includes material to prepare students for the rigor of the calculus course by teaching learning skills necessary to succeed in college courses as well as review of relevant prerequisite algebraic, geometric and trigonometric concepts, and more in-depth investigation of core concepts in their concurrent math course.

Corequisite: MATH 1 This is a one-way corequisite for Math 1. However, not everyone taking Math 1 would have to take this Math 66C concurrent support course.

Math 66C is a RECOMMENDED support course for students currently enrolled in Math 1. This 1 unit-lab is designed to prepare students for the rigor of the Calculus math sequence and learning skills necessary to succeed in college courses. Aligned with your math course and designed with innovative strategies to provide math and learning support while you are taking your math course.

Day	33428	Lab	MWF 9:30-10:20	600	STAFF	01/13-05/22	P/N	C02
Day	33430	Lab	TTh 9:00-10:15	600	STAFF	01/13-05/22	P/N	C07
Eve	33429	Lab	MW 5:00-6:15	600	STAFF	01/13-05/22	P/N	C06
Eve	33431	Lab	TTh 6:00-7:15	600	STAFF	01/13-05/22	P/N	C10

MATH 67C CONCURRENT SUPPORT CALCULUS II 1.0 Units

This course offers structured support to students who are concurrently enrolled in Calculus II. The support course includes material to prepare students for the rigor of the calculus course by teaching learning skills necessary to succeed in college courses as well as review of relevant prerequisite algebraic, geometric and trigonometric concepts, and more concurrent math course.

Corequisite: MATH 2 This is a one-way corequisite for Math 2. Everyone taking this Math 67C concurrent support course must be taking a Math 2 class concurrently. However, not everyone taking Math 2 would have to take this Math 67C concurrent support course.

Math 67C is a RECOMMENDED support course for students currently enrolled in Math 2. This 1 unit-lab is designed to prepare students for the rigor of the Calculus math sequence and learning skills necessary to succeed in college courses. Aligned with your math course and designed with innovative strategies to provide math and learning support while you are taking your math course.

Day	33604	Lab	MWF 9:30-10:20	600	STAFF	01/13-05/22	P/N	C02
Eve	33607	Lab	TTh 6:00-7:15	600	STAFF	01/13-05/22	P/N	C10
Eve	33605	Lab	MW 5:00-6:15	600	STAFF	01/13-05/22	P/N	C06
Eve	33606	Lab	TTh 9:00-10:15	600	STAFF	01/13-05/22	P/N	C07

MATH 68C CONCURRENT SUPPORT CALCULUS III 1.0 Units

This course offers structured support to students who are concurrently enrolled in Calculus III. The support course includes material to prepare students for the rigor of the calculus course by teaching learning skills necessary to succeed in college courses as well as review of relevant prerequisite algebraic, geometric and trigonometric concepts, and more in-depth investigation of core concepts in their concurrent math course.

Corequisite: MATH 3 This is a one-way corequisite for Math 3. Everyone taking this Math 68C concurrent support course must be taking a Math 3 class concurrently. However, not everyone taking Math 3 would have to take this Math 68C concurrent support course.

Math 68C is a RECOMMENDED support course for students currently enrolled in Math 3. This 1 unit-lab is designed to prepare students for the rigor of the Calculus math sequence and learning skills necessary to succeed in college courses. Aligned with your math course and designed with innovative strategies to provide math and learning support while you are taking your math course.

Day	33608	Lab	MWF 9:30-10:20	600	STAFF	01/13-05/22	P/N	C02
Day	33609	Lab	MW 5:00-6:15	600	STAFF	01/13-05/22	P/N	C06
Day	33610	Lab	TTh 9:00-10:15	600	STAFF	01/13-05/22	P/N	C07
Eve	33611	Lab	TTh 6:00-7:15	600	STAFF	01/13-05/22	P/N	C10

MATH 100C CONCURRENT SUPPORT SLAM MATH 1.0 Units

This course is concurrent support for Elementary Algebra. The course is designed to provide additional, formal support to students who are currently taking an Elementary Algebra. It includes a review of arithmetic, algebraic and geometric

concepts that are relevant to their Elementary Algebra course, study strategies that promote understanding and improve performance, and more in-depth investigation of core concepts that are difficult for students to master. Embedded are learning skills such as growth mindset, brain research, time management, study skills, test taking, math anxiety and more.

Corequisite: MATH 110 This is a one-way corequisite for Math 110. Everyone taking this MATH 110C concurrent support course must be taking a Math 110 class concurrently. However, not everyone taking Math 110 would have to take this Math 110C concurrent support course.

OR Corequisite: NMAT 210 This is a one-way corequisite for NMAT 210. Everyone taking this MATH 110C concurrent support course must be taking a NMAT 210 class concurrently. However, not everyone taking NMAT 210 would have to take this MATH 110C concurrent support course.

Math 100C is a STRONGLY RECOMMENDED support course for students currently enrolled in Math 40, Math 47 or Math 33. This 1-unit lab is designed to prepare students for the rigor of the SLAM (Statistics, Liberal Arts Math) transfer-level courses and learning skills necessary to succeed in college courses. Aligned with your math course and designed with innovative strategies to provide math and learning support while you are taking your math course. This class is offered for credit (MATH 100C) or for tuition-free noncredit (NMAT 200C).

Day	33432	Lab TTh	2:00-3:15	600	STAFF	01/13-05/22	P/N	C01
Day	33433	Lab MWF	9:30-10:20	600	STAFF	01/13-05/22	P/N	C02
Day	33434	Lab MWF	10:30-11:20	600	STAFF	01/13-05/22	P/N	C03
Day	33435	Lab MW	2:00-3:15	600	STAFF	01/13-05/22	P/N	C04
Day	33436	Lab MW	3:30-4:45	600	STAFF	01/13-05/22	P/N	C05
Day	33438	Lab TTh	9:00-10:15	600	STAFF	01/13-05/22	P/N	C07
Day	33439	Lab TTh	10:30-11:45	600	STAFF	01/13-05/22	P/N	C08
Day	33440	Lab TTh	3:30-4:45	600	STAFF	01/13-05/22	P/N	C09
Eve	33437	Lab MW	5:00-6:15	600	STAFF	01/13-05/22	P/N	C06
Eve	33441	Lab TTh	6:00-7:15	600	STAFF	01/13-05/22	P/N	C10

MATH 101C CONCURRENT SUPPORT BSTEM MATH 1.0 Units

Concurrent Support for BSTEM Mathematics is for students interested in Business, Science, Technology, Engineering and Mathematical fields. This course offers structured support to students who are concurrently enrolled in a first-level transfer course, such as College Algebra, Trigonometry, and Business Calculus. The support course includes material to prepare students for the rigor of the transfer math course by teaching learning skills necessary to succeed in college courses as well as review of relevant prerequisite algebraic and geometric concepts, and more in-depth investigation of core concepts in their concurrent math course.

Corequisite: MATH 30 This is a one-way corequisite for Math 30. Everyone taking this NMAT 201C concurrent support course must be taking a Math 30, math 39 or Math 34 class concurrently. However, not everyone taking Math 30 would have to take this NMAT 201C concurrent support course.

Or MATH 39 This is a one-way corequisite for Math 39. Everyone taking this NMAT 201C concurrent support course must be taking a Math 30, math 39 or Math 34 class concurrently. However, not everyone taking Math 39 would have to take this NMAT 201C concurrent support course.

Or MATH 34 This is a one-way corequisite for Math 34. Everyone taking this NMAT 201C concurrent support course must be taking a Math 30, Math 39 or Math 34 class concurrently. However, not everyone taking Math 34 would have to take this NMAT 201C concurrent support course.

Math 101C is a STRONGLY RECOMMENDED support course for students currently enrolled in Math 30, Math 39 or Math 34. This 1 unit-lab is designed to prepare students for the rigor of the BSTEM (Business, Science, Technology, Engineering and Math) transfer-level courses and learning skills necessary to succeed in college courses. Aligned with your math course and designed with innovative strategies to provide math and learning support while you are taking your math course. This class is offered for credit (MATH 101C) or for tuition-free noncredit (NMAT 201C).

Day	33442	Lab TTh	2:00-3:15	600	STAFF	01/13-05/22	P/N	C01
Day	33443	Lab MWF	9:30-10:20	600	STAFF	01/13-05/22	P/N	C02
Day	33444	Lab MWF	10:30-11:20	600	STAFF	01/13-05/22	P/N	C03
Day	33445	Lab MW	2:00-3:15	600	STAFF	01/13-05/22	P/N	C04
Day	33446	Lab MW	3:30-4:45	600	STAFF	01/13-05/22	P/N	C05
Day	33448	Lab TTh	9:00-10:15	600	STAFF	01/13-05/22	P/N	C07
Day	33449	Lab TTh	10:30-11:45	600	STAFF	01/13-05/22	P/N	C08
Day	33450	Lab TTh	3:30-4:45	600	STAFF	01/13-05/22	P/N	C09
Eve	33447	Lab MW	5:00-6:15	600	STAFF	01/13-05/22	P/N	C06
Eve	33451	Lab TTh	6:00-7:15	600	STAFF	01/13-05/22	P/N	C10

MATH JAM BOOT CAMP COURSES

Math Jam is offered the week before the Fall and Spring semesters. This pre-semester, 1-week boot camp provides innovative learning interventions to prepare for upcoming mathematics courses with confidence.

Math Jam is proven to increase student success and retention rates! This program provides a supportive, noncredit pathway for all students into a credit math course required to transfer. Embedded in this bootcamp are essential study and life skills to develop each student holistically before enrolling in a math course as well as rigorous learning support of prerequisite and key math concepts.

MATH 66 MATH JAM FOR CALCULUS 0.5 Units

Math Jam for Calculus I is a credit course for students preparing for Calculus I. Embedded are essential study and life skills to develop each student holistically, including career development. Students will be learning basic skills and transfer-level material with the goal of preparing them to be successful in their upcoming class. It is strongly recommended that students taking this course are enrolled in a calculus course.

Math Jam for Calculus I is a 1-week support course prior to the start of the semester for students who wish to prepare for their upcoming Calculus I course prior to the start of the semester. This course is designed to prepare students to register for the calculus sequence with confidence, having learned key math concepts and learning skills necessary to succeed in college courses.

Day	33427	Lab Daily	9:00-3:00	2401	STAFF	01/06-01/10	P/N	M01
-----	-------	-----------	-----------	------	-------	-------------	-----	-----

MATH 67 MATH JAM FOR CALCULUS II 0.5 Units

Math Jam for Calculus II is a credit course for students preparing for Calculus II. Embedded are essential study and life skills to develop each student holistically, including career development. Students will be learning basic skills and transfer-level material with the goal of preparing them to be successful in their upcoming class. It is strongly recommended that students taking this course are enrolled in a calculus course.

Math Jam for Calculus II is a 1-week support course prior to the start of the semester for students who wish to prepare for their upcoming Calculus II course prior to the start of the semester. This course is designed to prepare students to register for the calculus sequence with confidence, having learned key math concepts and learning skills necessary to succeed in college courses.

Day 33616 Lab MTWTh 9:00-3:00 2401 STAFF 01/06-01/10 P/N M01

MATH 68 MATH JAM FOR CALCULUS III 0.5 Units

Math Jam for Calculus III is a credit course for students preparing for Calculus III. Embedded are essential study and life skills to develop each student holistically, including career development. Students will be learning basic skills and transfer-level material in their upcoming class. It is strongly recommended that students taking this course are enrolled in a calculus course.

Math Jam for Calculus III is a 1-week support course prior to the start of the semester for students who wish to prepare for their upcoming Calculus III course prior to the start of the semester. This course is designed to prepare students to register for the calculus sequence with confidence, having learned key math concepts and learning skills necessary to succeed in college courses.

Day 33617 Lab MTWTh 9:00-3:00 2401 STAFF 01/06-01/10 P/N M01

NMAT 260A MATH JAM INTRO TO TUTORING 0.0 Units

Math Jam is designed to help students prepare for their upcoming math class. This Math Jam Tutor Training course is designed to train tutors prior to Math Jam in strategies for effectively engaging students in learning difficult math concepts. Tutors will learn about intelligent practices for mastering material and how to navigate in the online course environment participants will be using during Math Jam. This is designed for students who are interested in becoming a paid mathematics tutor at Las Positas College or in any educational capacity.

Math Jam Tutor Training course is designed to train tutors prior to Math Jam in strategies for effectively engaging students in learning difficult math concepts and should be taken with NMAT 260B. Tutors will learn about intelligent practices for mastering material and how to navigate in the online course environment participants will be using during Math Jam. This is an excellent first course for students who are interested in becoming a paid mathematics tutor at Las Positas College or in any educational capacity. Students who complete NMAT 260A and 260B can earn a noncredit Certificate of Completion. NMAT courses are tuition-free and noncredit.

Day 33407 Sat 9:30-12:00 2401 STAFF 01/04-01/04 P/N M01

NMAT 260B MATH JAM FOR TUTORS 0.0 Units

Math Jam is designed to help students prepare for their upcoming math class. This Math Jam Tutor Training course supports tutors during Math Jam to apply strategies for effectively engaging students in learning difficult math concepts with participants. Tutors apply knowledge around intelligent practices for mastering material as they tutor participants during Math Jam. This is an excellent second course for students who are interested in becoming a paid mathematics tutor at Las Positas College or in any educational capacity.

This Math Jam Tutor Training course supports tutors during Math Jam to apply strategies for effectively engaging students in learning difficult math concepts with participants and should be taken with 260A. Tutors apply knowledge around intelligent practices for mastering material as they tutor participants during Math Jam. This is an excellent second course for students who are interested in becoming a paid mathematics tutor at Las Positas College or in any educational capacity. Students who complete NMAT 260A and 260B can earn a noncredit Certificate of Completion. NMAT courses are tuition-free and noncredit.

Day 33408 MTWTh 3:00-3:50 2401 STAFF 01/06-01/09 P/N M01
ONLINE 01/06-01/09 P/N

NMAT 260B-DEI is an online course. For more information, see the section titled "Online Learning" in this schedule, or go to <http://www.laspositascollege.edu/onlinelearning>.

NMAT 261 MATH JAM FOR PREALGEBRA PREP 0.0 Units

Math Jam is a noncredit program designed to help students prepare for their upcoming math class at a community college. Embedded are essential study and life skills to develop each student holistically, including learning skills and career development. Students will be learning arithmetic and Prealgebra material with the goal of preparing them to be successful in their upcoming class. It is strongly recommended that students taking this course be enrolled in a community college math course.

Day 33400 Lab Daily 9:00-3:00 2401 STAFF 01/06-01/10 P/N M01

NMAT 262 MATH JAM FOR ELEM.ALGEBRA PREP 0.0 Units

Math Jam is a noncredit program designed to help students prepare for their upcoming math class at a community college. Embedded are essential study and life skills to develop each student holistically, including learning skills and career development. Students will be learning prealgebra material with the goal of preparing them to be successful in their upcoming class. It is strongly recommended that students taking this course be eligible for and enrolled in a community college math course.

Day 33401 Lab Daily 9:00-3:00 2401 STAFF 01/06-01/10 P/N M01

NMAT 263 MATH JAM INTER.ALGEBRA PREP 0.0 Units

Math Jam is a noncredit program designed to help students prepare for their upcoming math class at a community college. Embedded are essential study and life skills to develop each student holistically, including career development. Students will be learning elementary algebra material with the goal of preparing them to be successful in their upcoming class. It is strongly recommended that students taking this course are enrolled in a community college math course.

Day 33402 Lab Daily 9:00-3:00 2401 STAFF 01/06-01/10 P/N M01

NMAT 264 MATH JAM FOR SLAM PREP 0.0 Units

Math Jam for SLAM Prep is for students preparing for math courses in Statistics and Probability or Mathematics for Liberal Arts. Math Jam is a FREE noncredit program designed to help students prepare for their upcoming math class at a community college. Embedded are essential study and life skills to develop each student holistically, including career development. Students will be learning prerequisite algebraic and basic probability material with the goal of preparing them to be successful in their upcoming first-level transfer course of Statistics or Math for Liberal Arts class. It is strongly recommended that students taking this course be enrolled in Math 40: Statistics and Probability or Math 47: Mathematics for Liberal Arts at Las Positas College.

D/E	CRN	DAYS	TIMES	ROOM	INSTRUCTOR	DATES	CODES	SEC	D/E	CRN	DAYS	TIMES	ROOM	INSTRUCTOR	DATES	CODES	SEC
Day	33403	Lab Daily	9:00-3:00	2401	STAFF	01/06-01/10	P/N	M01	Day	33380	Lab TTh	10:30-11:45	601	STAFF	01/13-05/22	P/N	C08
Day	33404	Lab Daily	9:00-3:00	2401	STAFF	01/06-01/10	P/N	M02	Day	33381	Lab TTh	3:30-4:45	601	STAFF	01/13-05/22	P/N	C09
									Eve	33378	Lab MW	5:00-6:15	601	STAFF	01/13-05/22	P/N	C06
									Eve	33382	Lab TTh	6:00-7:15	601	STAFF	01/13-05/22	P/N	C10

NMAT 265 MATH JAM FOR BSTEM PREP 0.0 Units

Math Jam for BSTEM Prep is for students preparing for math courses in College Algebra, Trigonometry, Business Calculus and review prior to Calculus I. Math Jam is a noncredit program designed to help students prepare for their upcoming STEM focused math class at a community college. Embedded are essential study and life skills to develop each student holistically, including career development. Students will be learning pre-transfer level material with the goal of preparing them to be successful in their upcoming class. It is strongly recommended that students taking this course are enrolled in a community college math course.

Day	33405	Lab Daily	9:00-3:00	2401	STAFF	01/06-01/10	P/N	M01
Day	33406	Lab Daily	9:00-3:00	2401	STAFF	01/06-01/10	P/N	M02

NMAT 201C CONCURRENT SUPPORT BSTEM MATH 0.0 Units

Concurrent Support for BSTEM Math is for students interested in Business, Science, Technology, Engineering and Mathematical fields. This course offers structured support to students who are concurrently enrolled in a first-level transfer course, such as College Algebra, Trigonometry, and Business Calculus. The support course includes material to prepare students for the rigor of the transfer math course by teaching learning skills necessary to succeed in college courses as well as review of relevant prerequisite algebraic and geometric concepts, and more in-depth investigation of core concepts in their concurrent math course.

Corequisite: MATH 30 or MATH 39 or MATH 34 This is a one-way corequisite. Everyone taking this NMAT 201C concurrent support course must be taking a Math 30, Math 39 or Math 34 class concurrently. However, not everyone taking Math 30 or Math 39 or Math 34 would have to take this NMAT 201C concurrent support course.

NONCREDIT MATH

NON-CREDIT (TUITION-FREE) MATH CLASSES AND CONCURRENT SUPPORTS

NMAT courses are tuition free, non-credit mathematics course. Students may enroll in these as many times as desired. Non-credit courses do not count towards credit unit load for the semester. These classes are also offered for credit.

NMAT 201C is a STRONGLY RECOMMENDED support course for students currently enrolled in Math 30, Math 39 or Math 34. This noncredit lab is designed to prepare students for the rigor of the BSTEM (Business, Science, Technology, Engineering and Math) transfer-level courses and learning skills necessary to succeed in college courses. Aligned with your math course and designed with innovative strategies to provide math and learning support while you are taking your math course. This class is offered for credit (MATH 101C) or for tuition-free noncredit (NMAT 201C).

NMAT 200C CONCURRENT SUPPORT SLAM MATH 0.0 Units

Concurrent Support for SLAM Math is for students interested in disciplines that require Statistics and Liberal Arts Mathematics (SLAM) courses. This course offers structured support to students who are concurrently enrolled in a first-level transfer course, such as Statistics and Mathematics for Liberal Arts, and Finite Mathematics. The support course includes material to prepare students for the rigor of the transfer math course by teaching learning skills necessary to succeed in college courses as well as review of relevant prerequisite algebraic and geometric concepts, and more in-depth investigation of core concepts in their concurrent math course.

Corequisite: MATH 40 or MATH 47 or MATH 33 This is a one-way corequisite for Math 40. Everyone taking this NMAT 200C concurrent support course must be taking a Math 40, 47 or 33 class concurrently. However, not everyone taking Math 40, Math 47 or Math 33 would have to take this NMAT 200C concurrent support course.

NMAT 200C is a STRONGLY RECOMMENDED support course for students currently enrolled in Math 40, Math 47 or Math 33. This noncredit lab is designed to prepare students for the rigor of the SLAM (Statistics, Liberal Arts Math) transfer-level courses and learning skills necessary to succeed in college courses. Aligned with your math course and designed with innovative strategies to provide math and learning support while you are taking your math course. This class is offered for credit (MATH 100C) or for tuition-free noncredit (NMAT 200C).

Day	33373	Lab TTh	2:00-3:15	601	STAFF	01/13-05/22	P/N	C01
Day	33374	Lab MWF	9:30-10:20	601	STAFF	01/13-05/22	P/N	C02
Day	33375	Lab MWF	10:30-11:20	601	STAFF	01/13-05/22	P/N	C03
Day	33376	Lab MW	2:00-3:15	601	STAFF	01/13-05/22	P/N	C04
Day	33377	Lab MW	3:30-4:45	601	STAFF	01/13-05/22	P/N	C05
Day	33379	Lab TTh	9:00-10:15	601	STAFF	01/13-05/22	P/N	C07

Day	33383	Lab TTh	2:00-3:15	601	STAFF	01/13-05/22	P/N	C01
Day	33384	Lab MWF	9:30-10:20	601	STAFF	01/13-05/22	P/N	C02
Day	33385	Lab MWF	10:30-11:20	601	STAFF	01/13-05/22	P/N	C03
Day	33386	Lab MW	2:00-3:15	601	STAFF	01/13-05/22	P/N	C04
Day	33387	Lab MW	3:30-4:45	601	STAFF	01/13-05/22	P/N	C05
Day	33389	Lab TTh	9:00-10:15	601	STAFF	01/13-05/22	P/N	C07
Day	33390	Lab TTh	10:30-11:45	601	STAFF	01/13-05/22	P/N	C08
Day	33391	Lab TTh	3:30-4:45	601	STAFF	01/13-05/22	P/N	C09
Eve	33388	Lab MW	5:00-6:15	601	STAFF	01/13-05/22	P/N	C06
Eve	33392	Lab TTh	6:00-7:15	601	STAFF	01/13-05/22	P/N	C10

NMAT 202C CONCURRENT SUPPORT FOR MATH 0.0 Units

This course is just-in-time concurrent support for students enrolled in a first-level transfer course, such as Statistics, College Algebra, Trigonometry, Business Calculus, Mathematics for Liberal Arts, and Finite Mathematics. The support course is noncredit, open entry/open exit. The content will prepare students for the rigor of the transfer math course by teaching learning skills necessary to succeed in college courses as well as review of relevant basic and secondary education prerequisite algebraic and geometric concepts, and more in-depth investigation of core concepts to their concurrent math course. The course design is to meet the needs of a variety of students, such as students who desire formal, regular ongoing learning supports, students wishing self-place into transfer-level mathematics courses as defined by AB 705, and students who are repeating the course for the second or third time. The support course includes a review of basic and secondary level math relevant to their college-level course, provides study strategies to promote understanding and improve performance, and more in-depth investigation of core concepts that are difficult for students to master and learning skills such as

D/E	CRN	DAYS	TIMES	ROOM	INSTRUCTOR	DATES	CODES	SEC	D/E	CRN	DAYS	TIMES	ROOM	INSTRUCTOR	DATES	CODES	SEC
-----	-----	------	-------	------	------------	-------	-------	-----	-----	-----	------	-------	------	------------	-------	-------	-----

growth mindset, brain research, time management, study skills, test taking, math anxiety and more.

Corequisite: MATH 30 or MATH 39 or MATH 34 or MATH 40 or MATH 47 or MATH 33

NMAT 202C provides just-in-time math and learning support for students enrolled in a math course. Students can sign up for this class and receive help from the Math Learning Center (MLC) during open hours. Hours of the MLC can be found at the department website: www.laspositascollege.edu/ilc.

Day 33393 Lab By Arr 1.0Hrs/Wk TBA STAFF 01/27-05/22 P/N C01
 NMAT 202C-C01 is a Late Start course that meets from Jan 27-May 22.

NMAT 207 PRE-ALGEBRA 0.0 Units

This course is intended to serve as a bridge between arithmetic and Elementary Algebra. It includes a review of arithmetic, operations involving signed integers, fractions, and decimals, variables and proportion, introduction to statistics, geometry and measurement, and application problems. Students can petition to get credit for the credit Math 107 course by examination.

This class is offered for credit (MATH 107) or for tuition-free noncredit (NMAT 207).

Day	33356	TTh	9:30-10:45	607	STAFF	01/13-05/22	OP	X01
	Lab	TTh	11:00-12:15	607		01/13-05/22	OP	
Day	33357	TTh	12:30-1:45	607	STAFF	01/13-05/22	OP	X02
	Lab	TTh	2:00-3:15	607		01/13-05/22	OP	
Day	33358	MW	12:30-1:45	607	STAFF	01/13-05/22	OP	X03
	Lab	MW	2:00-3:15	607		01/13-05/22	OP	
Day	33359	TTh	3:30-4:45	607	STAFF	01/13-05/22	OP	X04
	Lab	TTh	5:00-6:15	607		01/13-05/22	OP	
Day	33360	MW	9:30-10:45	607	STAFF	01/13-05/22	OP	X05
	Lab	MW	11:00-12:15	607		01/13-05/22	OP	
Day	33361	MW	3:30-4:45	607	STAFF	01/13-05/22	OP	X06
	Lab	MW	5:00-6:15	607		01/13-05/22	OP	
Eve	33362	MW	6:30-7:45	607	STAFF	01/13-05/22	OP	X93
	Lab	MW	8:00-9:15	607		01/13-05/22	OP	
Eve	33363	TTh	6:30-7:45	607	STAFF	01/13-05/22	OP	X94
	Lab	TTh	8:00-9:15	607		01/13-05/22	OP	

NMAT 210 ELEMENTARY ALGEBRA 0.0 Units

Elementary algebra concepts, including: real numbers and their properties; algebraic expressions; integer exponents; operations with polynomial expressions; linear and quadratic equations; linear inequalities and set notation; graphs of linear equations and inequalities; slope; systems of linear equations and inequalities; and modeling with linear and quadratic equations. Students can petition to get credit for the Math 110 Elementary Algebra course by examination.

Strongly Recommended: NMAT 207 or MATH 107 or MATH 107B with a minimum grade of C

This class is offered for credit (MATH 110) or for tuition-free noncredit (NMAT 210).

Day	33364	TTh	9:30-11:20	607	STAFF	01/13-05/22	OP	X01
Day	33365	TTh	12:30-2:20	607	STAFF	01/13-05/22	OP	X02
Day	33366	MW	12:30-2:20	607	STAFF	01/13-05/22	OP	X03
Day	33367	TTh	3:30-5:20	607	STAFF	01/13-05/22	OP	X04
Day	33368	MW	9:30-11:20	607	STAFF	01/13-05/22	OP	X05
Day	33369	MW	3:30-5:20	607	STAFF	01/13-05/22	OP	X06
Eve	33341	TTh	8:00-9:50	1003	STAFF	01/13-05/22	OP	093

Eve	33371	MW	6:30-8:20	607	STAFF	01/13-05/22	OP	X93
Eve	33372	TTh	6:30-8:20	607	STAFF	01/13-05/22	OP	X94

NMAT 250 INTERMEDIATE ALGEBRA FOR SLAM 0.0 Units

This is an Intermediate Algebra course for students interested in fields of study that require Statistics or Liberal Arts Mathematics (SLAM). Intermediate algebra concepts will be explored in the context of the function. Function concepts covered include: distinction between functions and relations, domain and range, function notation, multiple representation of functions, behavior of functions, operations with functions (including composition), one-to-one functions, and invertible functions. Types of functions considered: polynomial, rational, radical, exponential and logarithmic functions. The course includes an introduction to probability, counting and quantitative data. Standards for mathematical practice, applications of functions, and modeling with functions are emphasized throughout.

Strongly Recommended: NMAT 210 or MATH 110 or MATH 110B with a minimum grade of C

A TI-84 or TI-83 calculator or internet-based software may be required for some sections of this course. There may be a fee associated with these materials. Consult with the instructor or bookstore before registering for this course.

This class is offered for credit (MATH 50) or for tuition-free noncredit (NMAT 250).

Day	33612	MWF	8:00-8:50	1001	STAFF	01/13-05/22	OP	V01
	Lab	MWF	9:00-9:50	1001		01/13-05/22	OP	
Day	33613	TTh	10:30-11:45	503	STAFF	01/13-05/22	OP	Y02
	Lab	TTh	11:55-1:10	503		01/13-05/22	OP	
Eve	33342	TTh	6:30-7:45	1003	STAFF	01/13-05/22	OP	093
	Lab	TTh	8:00-9:15	1003		01/13-05/22	OP	

NMAT 255 INTERMEDIATE ALGEBRA FOR BSTEM 0.0 Units

Intermediate Algebra concepts, in the service of Business, Science, Technology, Engineering and Math fields (BSTEM), will be explored in this course including: an introduction to functions; linear and absolute value functions; absolute value equations and inequalities; compound linear inequalities; rational expressions, functions and equations; radical expressions, functions and equations; rational exponents; complex numbers; quadratic functions and equations; inverse of a function; exponential and logarithmic functions; properties of logarithms; exponential and logarithmic equations; conic sections; and systems of equations and inequalities. Multiple representations, applications and modeling with functions are emphasized throughout. Students can petition to get credit for the Math 55 Intermediate Algebra for BSTEM course by examination.

Strongly Recommended: NMAT 210 or MATH 110 or MATH 110B with a minimum grade of C

This class is offered for credit (MATH 55) or for tuition-free noncredit (NMAT 255).

Day	33614	TTh	8:00-10:15	101	STAFF	01/13-05/22	OP	V01
Day	33347	TTh	9:30-11:45	607	STAFF	01/13-05/22	OP	X01
Day	33348	TTh	12:30-2:45	607	STAFF	01/13-05/22	OP	X02
Day	33349	MW	12:30-2:45	607	STAFF	01/13-05/22	OP	X03
Day	33350	TTh	3:30-5:45	607	STAFF	01/13-05/22	OP	X04
Day	33351	MW	9:30-11:45	607	STAFF	01/13-05/22	OP	X05
Day	33352	MW	3:30-5:45	607	STAFF	01/13-05/22	OP	X06
Eve	33615	MW	7:30-9:45	1003	STAFF	01/13-05/22	OP	093
Eve	33353	MW	6:30-8:45	607	STAFF	01/13-05/22	OP	X93
Eve	33354	TTh	6:30-8:45	607	STAFF	01/13-05/22	OP	X94

MUSIC

MUS 1 INTRODUCTION TO MUSIC 3.0 Units

Music for enjoyment and understanding through informed listening, analysis, evaluation and discernment of musical elements, forms, and repertoire. Attendance at concerts and listening to a variety of music may be required.

Day	30822	TTh	9:30-10:45	4138	ZIMMERMAN	01/13-05/22	GR	V01
Day	31489	MW	9:30-10:45	4138	ZIMMERMAN	01/13-05/22	GR	V02

MUS 3 WORLD MUSIC 3.0 Units

The study of the folk and art music of world cultures. Includes the traditional music of Sub-Saharan Africa, Middle East, China, Japan, Indonesia, India, Latin America, Europe, and Native America. Attendance at world music concerts is required.

Web	32199	ONLINE			LA BARRE	01/13-05/22	OP	DE1
-----	-------	--------	--	--	----------	-------------	----	-----

MUS 3-DE1 is an online course. For more information, see the section titled "Online Learning" in this schedule, or go to <http://www.laspositascollege.edu/onlinelearning>.

Web	33572	ONLINE			BREKKE	01/13-05/22	OP	DE2
-----	-------	--------	--	--	--------	-------------	----	-----

MUS 3-DE2 is an online course. For more information, see the section titled "Online Learning" in this schedule, or go to <http://www.laspositascollege.edu/onlinelearning>.

MUS 4 JAZZ IN AMERICAN CULTURE 3.0 Units

History, trends, and influences of the phenomenon of jazz through integration of the cultures of (but not limited to) African-American, European-American and the Latin-American communities. Required listening, reading and concert attendance will guide the student to value jazz as a form of self-expression and improve the ability to listen and understand the various eras in jazz from pre-Dixieland to present day.

Day	30388	TTh	12:30-1:45	4138	DEVINE	01/13-05/22	GR	V01
Day	31719	TTh	11:00-12:15	4138	DEVINE	01/13-05/22	GR	V02

MUS 5 AMERICAN CULTURES IN MUSIC 3.0 Units

Music in twentieth century United States through the study of contributions of three selected groups from the following: African-Americans, Latin-Americans, Asian-Americans, European-Americans, and Native Americans. Emphasis on understanding diverse styles, and on integrating these styles into American music. Concert, religious, and folk-pop music will be included.

Web	30392	ONLINE			MARSCHAK	01/13-05/22	OP	DE1
-----	-------	--------	--	--	----------	-------------	----	-----

MUS 5-DE1 is an online course. For more information, see the section titled "Online Learning" in this schedule, or go to <http://www.laspositascollege.edu/onlinelearning>.

Web	31970	ONLINE			CEFALO	01/13-05/22	OP	DE2
-----	-------	--------	--	--	--------	-------------	----	-----

MUS 5-DE2 is an online course. For more information, see the section titled "Online Learning" in this schedule, or go to <http://www.laspositascollege.edu/onlinelearning>.

Web	33574	ONLINE			CEFALO	01/13-05/22	OP	DE3
-----	-------	--------	--	--	--------	-------------	----	-----

MUS 5-DE3 is an online course. For more information, see the section titled "Online Learning" in this schedule, or go to <http://www.laspositascollege.edu/onlinelearning>.

MUS 6 BASIC MUSIC SKILLS 2.0 Units

Essentials of music through notation, time elements, melody, harmony, and tonality, texture, dynamics and knowledge of the keyboard. Sight singing and ear training.

Day	30281	TTh	9:30-10:45	4226	MANZI	01/13-05/22	OP	V01
-----	-------	-----	------------	------	-------	-------------	----	-----

MUS 8B THEORY AND MUSICIANSHIP 2 4.0 Units

Continues diatonic harmony through part writing and ear training exercises as typified by musical practice from 1600 to the present, continues solfeggio, chord recognition, melodic and rhythmic dictation, voice leading involving four-part choral writing, and figured bass realization. Introduces harmonic dictation, cadential elaboration, non-dominant seventh chords, and an introduction

Prerequisite: MUS 8A with a minimum grade of C

Strongly Recommended: MUS 8A, MUS 21A with a minimum grade of C

Day	30282	MW	12:30-2:20	4130	BREKKE	01/13-05/22	OP	V01
		Lab Fri	11:30-12:20	4130		01/13-05/22	OP	

MUS 8B-V01 is open to all students but has an optional embedded honors component. Students who qualify for the Honors Transfer Program may take it for honors credit. See instructor and visit <http://www.laspositascollege.edu/honors> for more information.

MUS 10B THEORY AND MUSICIANSHIP 4 4.0 Units

This course incorporates the concepts from Music 10A. In addition, through writing and analysis, the course will include: post-Romantic techniques such as borrowed chords and modal mixture, chromatic mediants, Neapolitan and augmented-sixth chords, 9th, 11th and 13th chords, altered chords and dominants; and 20th century techniques such as: Impressionism, tone rows, set theory, pandiatonicism and polytonalism, meter and rhythm. This course also applies and develops the rhythmic, melodic, and harmonic materials of Mus 10A through ear training, sight singing, analysis, and dictation.

Prerequisite: MUS 10A with a minimum grade of C

Day	30283	MWF	10:30-11:20	4226	MARSCHAK	01/13-05/22	OP	V01
		Lab MW	11:30-12:20	4226		01/13-05/22	OP	

MUS 10B-V01 is open to all students but has an optional embedded honors component. Students who qualify for the Honors Transfer Program may take it for honors credit. See instructor and visit <http://www.laspositascollege.edu/honors> for more information.

MUS 14 JAZZ WORKSHOP 1.0 Units

Reading, preparation and performance of contemporary Jazz music. Opportunity to apply improvisation techniques in a group setting.

Eve	30284	Lab Mon	6:00-8:50	4138	LA BARRE	01/13-05/22	OP	093
-----	-------	---------	-----------	------	----------	-------------	----	-----

Enrollment by audition only.

MUS 15 JAZZ ENSEMBLE 1.0 Units

This course is for the study, rehearsal, and public performance of standard jazz ensemble literature, with an emphasis on the development of skills needed to perform within an ensemble. New literature will be studied each term so that different technical and artistic issues are addressed. Opportunities to arrange and compose for the ensemble as well as to conduct. Opportunity to apply improvisation techniques in a group setting.

Eve	30285	Lab Mon	6:00-8:50	4138	LA BARRE	01/13-05/22	OP	093
-----	-------	---------	-----------	------	----------	-------------	----	-----

Enrollment by audition only.

MUS 16 PHILHARMONIC ORCHESTRA 1.0 Units

This course is for the study, rehearsal, and public performance of the standard Classical orchestra literature, with an emphasis on the development of skills needed to perform within an ensemble. Different literature is studied each semester so that different technical, historical and artistic issues are addressed. Attendance at all scheduled performances is required. Audition required.

D/E	CRN	DAYS	TIMES	ROOM	INSTRUCTOR	DATES	CODES	SEC	D/E	CRN	DAYS	TIMES	ROOM	INSTRUCTOR	DATES	CODES	SEC
-----	-----	------	-------	------	------------	-------	-------	-----	-----	-----	------	-------	------	------------	-------	-------	-----

Eve 30387 Lab Wed 6:00-8:50 4138 CEFALO 01/13-05/22 OP 093

Enrollment by audition only.

MUS 17A JAZZ COMBO I 1.0 Units

For instrumentalists who want experience in performing and interpreting small-group literature. The music literature will cover important aspects of Jazz band development and works of all styles and periods. Emphasis will be on articulations, stylistic differences, composition, arranging, and common performance practices of the various periods of music. Enrollment by audition only.

Strongly Recommended: MUS 18A, MUS 6 with a minimum grade of C

Day 31909 Lab TTh 2:30-3:45 4138 MARSCHAK 01/13-05/22 OP V01

Enrollment by audition only.

MUS 17B JAZZ COMBO 2 1.0 Units

For intermediate/advanced instrumentalists who want to continue what they learned in 17A by performing, composing, and arranging small-group literature. Enrollment by audition only.

Prerequisite: MUS 17A with a minimum grade of C

Day 31910 Lab TTh 2:30-3:45 4138 MARSCHAK 01/13-05/22 OP V01

Enrollment by audition only.

MUS 18A JAZZ/POP PIANO I 1.0 Units

Voicings, chords, and guidelines for interpretation of lead sheets in a variety of genres for the contemporary pianist. Emphasis on improvisation, accompaniment, bass lines, grooves, and reharmonization.

Strongly Recommended: MUS 21A with a minimum grade of C.

Day 32156 Lab Mon 1:00-3:50 4226 BREKKE 01/13-05/22 OP V01

MUS 18B JAZZ/POP PIANO 2 1.0 Units

Building on the content offered in Music 18A, this course offers more advanced voicings, chords, and guidelines for interpretation of lead sheets in a variety of genres for the contemporary pianist. The student learns chords and chord progressions used in jazz and popular music styles as applied to the keyboard, focusing on chromatic seventh chords and sequences, chord extensions and advanced rhythmic concepts.

Prerequisite: MUS 18A with a minimum grade of C

Day 32157 Lab Mon 1:00-3:50 4226 BREKKE 01/13-05/22 OP V01

MUS 19 STUDIES IN MUSIC COMPOSITION 3.0 Units

Presents a technical and historical analysis of works in various music languages. Students will compose individual pieces to be performed by college-based music ensembles.

Strongly Recommended: MUS 8A with a minimum grade of B

Day 32158 Wed 1:00-3:50 4226 MARSCHAK 01/13-05/22 OP HYI
ONLINE/HYBRID 01/13-05/22 OP

MUS 19-HYI a Hybrid course. In-person class meetings will alternate with online class meetings each week. For more information, see the section titled "Online Learning" in this schedule, or go to <http://www.laspositascollege.edu/onlinelearning>.

MUS 20A ELEMENTARY GUITAR 1.0 Units

Beginning guitar using a combination of folk and classic approaches to playing technique, utilizing basic scales and chords in first position, and music notation.

Strongly Recommended: MUS 6 with a minimum grade of C

Day 32569 Lab Fri 11:00-1:50 4127 MANZI 01/13-05/22 OP V01

MUS 20B STUDY OF GUITAR 1.0 Units

Development of skills and knowledge from Music 20A. Emphasis on playing techniques and performance. Designed for the intermediate and advanced performer.

Prerequisite: MUS 20A with a minimum grade of C

Day 32570 Lab Fri 11:00-1:50 4127 MANZI 01/13-05/22 OP V01

MUS 20C ADVANCED GUITAR 1.0 Units

Development of skills and knowledge from Music 20B. Emphasis on advanced playing techniques and performance. Designed for the advanced performer.

Prerequisite: MUS 20B with a minimum grade of C

Day 32571 Lab Fri 11:00-1:50 4127 MANZI 01/13-05/22 OP V01

MUS 21A BEGINNING PIANO 1.0 Units

Group instruction in piano for the absolute beginner with emphasis on developing technique, reading music, and performing.

Strongly Recommended: MUS 6

Day 30274 Lab TTh 11:30-12:45 4226 MARSCHAK 01/13-05/22 OP V01

MUS 21B BEGINNING PIANO: INTERMEDIATE 1.0 Units

Development of skills learned in Music 21A. Emphasis on further development of technique and performance.

Prerequisite: Mus 21A with a minimum grade of C

Day 30275 Lab TTh 11:30-12:45 4226 MARSCHAK 01/13-05/22 OP V01

MUS 23A ELEMENTARY VOICE I 1.0 Units

Group singing with emphasis on solo performance. Tone production, breathing, diction, and interpretation in regard to song literature.

Strongly Recommended: MUS 6

Day 30286 Lab TTh 11:00-12:15 4130 WALKER 01/13-05/22 OP V01

MUS 23B ELEMENTARY VOICE II 1.0 Units

Development of skills learned in Music 23A. Emphasis on further development of vocal production and performance.

Prerequisite: MUS 23A with a minimum grade of C

Day 30287 Lab TTh 11:00-12:15 4130 WALKER 01/13-05/22 OP V01

MUS 28 KEYBOARD SKILLS 1.0 Units

Emphasis on correct harmonization of melodies with various styles of piano accompaniments; transposition; improvisation ; modulation; sight reading; principles of accompanying soloists and groups; ensemble playing; playing by ear. Frequent solo and ensemble performances in class. Intended for piano teachers or classroom music teachers.

Strongly Recommended: MUS 21B

Day 31911 Lab TTh 11:30-12:45 4226 MARSCHAK 01/13-05/22 OP V01

MUS 31 STUDY OF PIANO 1.0 Units

Development of functional piano skills. Designed for knowledge and skill of intermediate or advanced level.

Prerequisite: MUS 21B with a minimum grade of C

Day 30276 Lab TTh 11:30-12:45 4226 MARSCHAK 01/13-05/22 OP V01

MUS 34 MUSIC IN FILM 3.0 Units

The class traces the history and development of film music through reading, lecture and film viewing. The its relationship to film has changed over the last century. Class includes discussion

D/E	CRN	DAYS	TIMES	ROOM	INSTRUCTOR	DATES	CODES	SEC	D/E	CRN	DAYS	TIMES	ROOM	INSTRUCTOR	DATES	CODES	SEC
-----	-----	------	-------	------	------------	-------	-------	-----	-----	-----	------	-------	------	------------	-------	-------	-----

and evaluation of different compositional styles and learning to listen critically to film scores while viewing movies.

Day 33336 MW 11:00-12:15 4138 LA BARRE 01/13-05/22 OP V01

MUS 35 INTRO TO MUSIC TECHNOLOGY 3.0 Units

This course covers the following basic aspects of music technology: computer skills, software-based sequencing, synthesis, MIDI, sampling, notation, principles of sound, microphones, introduction to digital audio, signal processing, mixers and mixing, recording principles, cables and interconnects, and audio in live performance.

Day 32573 TTh 1:00-2:15 4226 BREKKE 01/13-05/22 OP V01

MUS 37 MUSIC INDUSTRY CAREER DEV. 3.0 Units

Career opportunities and business practices in the music industry. Focus on career options and development, artist management, unions, music merchandising, music for film and digital media, and concert promotion.

Web 32695 ONLINE LA BARRE 01/13-05/22 OP DEI

MUS 37-DEI is an online course. For more information, see the section titled "Online Learning" in this schedule, or go to <http://www.laspositascollege.edu/onlinelearning>.

MUS 38 APPLIED LESSONS-BASSOON 1.0 Units

Individualized study of the appropriate techniques and repertoire for the specific instrument or voice being studied. The emphasis is on the progressive development of skills needed for solo performance. Achievement is evaluated through a juried performance. Enrollment subject to a standardized audition demonstrating basic competencies in technique and musicianship in their major performance medium.

Corequisites: MUS 8A or MUS 8B or MUS 10A or MUS 10B or MUS 12 or MUS 14 or MUS 15 or MUS 16 or MUS 44 or MUS 45 or MUS 46A or MUS 46B or MUS 48.

Day 32696 Lab By Arr 3.0 Hrs/Wk 4138 BRUNNER 01/13-05/22 OP V02

MUS 38 APPLIED LESSONS-BASS 1.0 Units

Day 32699 Lab By Arr 3.0 Hrs/Wk 4138 SCHULTZ 01/13-05/22 OP V05

MUS 38 APPLIED LESSONS-GUITAR 1.0 Units

Day 32700 Lab By Arr 3.0 Hrs/Wk 4138 MANZI 01/13-05/22 OP V06

MUS 38 APPLIED LESSONS-PIANO 1.0 Units

Day 32701 Lab By Arr 3.0 Hrs/Wk 4138 CEFALO 01/13-05/22 OP V07

MUS 38 APPLIED LESSONS-JAZZ PIANO 1.0 Units

Day 32702 Lab By Arr 3.0 Hrs/Wk 4138 MARSCHAK 01/13-05/22 OP V08

MUS 38 APPLIED LESSONS-TRUMPET 1.0 Units

Day 32703 Lab By Arr 3.0 Hrs/Wk 4138 SILVA 01/13-05/22 OP V09

MUS 38 APPLIED LESSONS-VOICE 1.0 Units

Day 32704 Lab By Arr 3.0 Hrs/Wk 4138 WALKER 01/13-05/22 OP V10

MUS 38 APPLIED LESSONS-COMPOSITION 1.0 Units

Day 32706 Lab By Arr 3.0 Hrs/Wk 4138 GODOY 01/13-05/22 OP V12

MUS 38 APPLIED LESSONS-DRUMS 1.0 Units

Day 32707 Lab By Arr 3.0 Hrs/Wk 4138 RODRIGUEZ 01/13-05/22 OP V13

MUS 38 APPLIED LESSONS-PERCUSSION 1.0 Units

Day 32708 Lab By Arr 3.0 Hrs/Wk 4138 DOWNING 01/13-05/22 OP V14

MUS 38 APPLIED LESSONS-FLUTE 1.0 Units

Day 33000 Lab By Arr 3.0 Hrs/Wk tba LAI 01/13-05/22 OP V19

MUS 38 APPLIED LESSONS-CELLO 1.0 Units

Day 33337 Lab By Arr 3.0 Hrs/Wk 4138 IVRY 01/13-05/22 OP V20

MUS 38 APPLIED LESSONS-WOODWINDS 1.0 Units

Day 33338 Lab By Arr 3.0 Hrs/Wk 4138 DEVINE 01/13-05/22 OP V21

MUS 38 APPLIED LESSONS-VOICE 1.0 Units

Day 33575 Lab By Arr 3.0 Hrs/Wk tba BREKKE 01/13-05/22 OP V22

MUS 38 APPLIED LESSONS 1.0 Units

Day 33577 Lab By Arr 3.0 Hrs/Wk tba MCPHERRIN 01/13-05/22 OP V23

MUS 44 CONCERT CHOIR 1.0 Units

Development of sufficient vocal and music ability to interpret and perform a variety of vocal chamber music. Designed for singers with choral ensemble experience. Audition required.

Eve 33339 Lab Tue 6:00-8:50 4130 WALKER 01/13-05/22 OP 093

MUS 45 CHAMBER CHOIR 1.0 Units

Development vocal and musical ability to effectively study, interpret, and perform choral literature. Designed for vocalists with previous classical ensemble experience.

Strongly Recommended: MUS 6, MUS 44 with a minimum grade of C

Eve 32159 Lab TTh 4:30-5:45 4130 BREKKE 01/13-05/22 OP 093

Enrollment by audition only.

MUS 46A BEGINNING JAZZ CHOIR 1.0 Units

The various aspects of performing in a vocal jazz ensemble. Emphasis on developing the rudiments of vocal jazz technique.

Strongly Recommended: MUS 6

Eve 30288 Lab MW 4:30-5:45 4130 BREKKE 01/13-05/22 OP 093

Enrollment by audition only.

MUS 46B ADVANCED JAZZ CHOIR 1.0 Units

The various aspects of performing in a vocal jazz ensemble. Emphasis on developing advanced vocal jazz technique.

Prerequisite: MUS 46A with a minimum grade of C

Eve 30289 Lab MW 4:30-5:45 4130 BREKKE 01/13-05/22 OP 093

Enrollment by audition only.

MUS 48 IMPROVISATION LAB 1.0 Units

This course exposes students to the fundamental concepts and skills any improviser needs to succeed in a group setting. The course is open to any instrumentalist or vocalist with no audition or experience in jazz required. The course is intended to prepare students for established advanced jazz ensembles and Vocal East. Emphasis will be on group activities, independent practice, basic theory concepts, and performance.

Strongly Recommended: MUS 6 or MUS 8A with a minimum grade of C

Day 33340 Lab Th 6:00-8:50 4138 DEVINE 01/13-05/22 OP V01

NONCREDIT ESL

NESL 220A INTERMEDIATE GRAMMAR READING 0.0 Units

This is the first semester of a one-year course in intermediate grammar for academic writing and reading designed to enable students to identify, comprehend, and use linguistic forms accurately, meaningfully and appropriately in reading and writing. The course focuses on types of sentences, clauses, and phrases, word order, verb forms, verb tenses, and on the connection between vocabulary and grammar.

Prerequisite: NESL 230B or ESL 130B with a minimum grade of P or placement through the ESL assessment process

Students are advised to enroll concurrently in NESL 220A and NESL 221A, and ESL 123 or ESL 126.

Eve	33316	Fri	6:30-9:20	1051	STAFF	01/13-05/22	P/N	093
-----	-------	-----	-----------	------	-------	-------------	-----	-----

NESL 220B HIGH-INTERMEDIATE GRAMMAR 0.0 Units

This is the second semester of a one-year course in intermediate grammar for academic writing and reading designed to enable students to use linguistic forms accurately, meaningfully and appropriately in written expression. The course focuses on types of sentences, clauses, phrases, word order, verb forms, verb tenses, and on the connection between vocabulary and grammar. This course also emphasizes analyzing grammar and meaning and detecting and correcting grammatical errors.

Prerequisite: NESL 220A or ESL 120A with a minimum grade of P or placement through the ESL assessment process

Students are advised to enroll concurrently in NESL 220B and NESL 221B, and ESL 123 or ESL 126.

Eve	33317	Fri	6:30-9:20	1053	STAFF	01/13-05/22	P/N	093
-----	-------	-----	-----------	------	-------	-------------	-----	-----

NESL 221A INTERMED. READING AND WRITING 0.0 Units

This is the first semester of a one-year course in intermediate academic writing and reading. Classes will focus on writing sentences, paragraphs and compositions, developing strategies for reading comprehension and flexibility, on interactive reading, and on academic vocabulary development. Students will develop cultural understanding, vocabulary, and fluency through a variety of academic writing and reading tasks.

Prerequisite: NESL 231B or ESL 131B with a minimum grade of P or placement through ESL assessment process

Students are advised to enroll concurrently in NESL 220A and NESL 221A, and ESL 123 or ESL 126.

Eve	33315	MW	6:30-9:20	1053	BRICKMAN	01/13-05/22	P/N	093
		Lab Wed	5:30-6:20	1053		01/13-05/22	P/N	

NESL 231A BEGINNING READING AND WRITING 0.0 Units

This is the first semester of a one-year course in beginning academic writing and reading. Classes will focus on writing simple and compound sentences in short paragraphs, on developing strategies for increasing reading comprehension and flexibility, on interactive reading, and on developing academic vocabulary. Students will develop cultural understanding and fluency through a variety of writing and reading tasks.

Strongly Recommended: Appropriate skill level demonstrated through the ESL assessment process

Students are advised to enroll concurrently in NESL 231A and NESL 230A, and ESL 133 or ESL 136.

Eve	33569	TTh	6:30-9:20	1053	PAYNE	01/13-05/22	P/N	093
		Tue	5:30-6:20	1053		01/13-05/22	P/N	

NESL 231B HIGH-BEG. READING AND WRITING 0.0 Units

This is the second semester of a one-year course in beginning academic writing and reading. Classes will focus on writing simple, compound, and complex sentences in structured paragraphs, on developing strategies for increasing reading comprehension and on developing academic vocabulary. Students will develop cultural understanding and fluency through a variety of writing and reading tasks.

Prerequisite: NESL 231A or ESL 131A with a minimum grade of Pass or Placement through ESL assessment process

Students are advised to enroll concurrently in NESL 231B and NESL 230B, and ESL 133 or ESL 136.

Day	33314	MW	9:00-11:50	1058	BARLOW	01/13-05/22	P/N	V02
		Lab Wed	12:00-12:50	600		01/13-05/22	P/N	

NONCREDIT TUTORING

NTUT 200 SUPERVISED TUTORING 0.0 Units

Open-entry/open-exit supervised tutoring course provided to students requesting assistance or referred by a counselor or instructor. Tutoring is conducted in a learning center and is structured to strengthen student skills, reinforce student mastery, and help students achieve specific course objectives. Trained tutors and instructors will provide individualized/small group tutoring and learning assistance for basic skills, vocational skills, and academic subject matter areas including mathematics, English, science, social science, humanities and a variety of general education courses vital to the overall success and retention of students.

Day	33328	By Arr	5.0 Hrs/Wk	2401	TSUBOTA	01/13-05/22	P/N	V01
-----	-------	--------	------------	------	---------	-------------	-----	-----

NUTRITION

NUTR I NUTRITION 3.0 Units

The basic science of nutrition including the nutrients, their functions, sources and recommended intakes. Nutritional assessment and the role of nutrition in the maintenance of health. For students majoring in the science and/or health fields.

Strongly Recommended: CHEM 30A and MATH 110

Day	33486	TTh	3:30-4:45	PE212	HIMMELSTEIN	01/13-05/22	GR	HYI
				ONLINE/HYBRID		01/13-05/22	GR	

NUTR I-HYI is a hybrid course. Students will meet on campus Tuesdays and Thursdays from 3:30-4:45pm in Room PE212. They will be required to complete the remainder of the course online. For more information, see the section titled "Online Learning" in this schedule, or go to <http://www.laspositascollege.edu/onlinelearning>.

Day	30232	MW	11:00-12:15	2204	VERNOGA	01/13-05/22	GR	V01
Day	30317	MW	12:30-1:45	2204	VERNOGA	01/13-05/22	GR	V02
Day	31111	TTh	11:00-12:15	1058	VERNOGA	01/13-05/22	GR	V03
Day	31454	TTh	12:30-1:45	PE209	VERNOGA	01/13-05/22	GR	V04
Eve	31859	TTh	4:00-5:15	1058	VERNOGA	01/13-05/22	GR	093
Web	31455		ONLINE		VERNOGA	01/13-05/22	GR	DEI

NUTR I-DEI is an online course. For more information, see the section titled "Online Learning" in this schedule, or go to <http://www.laspositascollege.edu/onlinelearning>.

D/E	CRN	DAYS	TIMES	ROOM	INSTRUCTOR	DATES	CODES	SEC	D/E	CRN	DAYS	TIMES	ROOM	INSTRUCTOR	DATES	CODES	SEC
-----	-----	------	-------	------	------------	-------	-------	-----	-----	-----	------	-------	------	------------	-------	-------	-----

Web 31929 ONLINE POLOKOFF 01/13-05/22 GR DE2
 NUTR 1-DE2 is an online course. For more information, see the section titled "Online Learning" in this schedule, or go to <http://www.laspositascollege.edu/onlinelearning>.

Web 33488 ONLINE POLOKOFF 01/13-05/22 GR DE3
 NUTR 1-DE3 is an online course. For more information, see the section titled "Online Learning" in this schedule, or go to <http://www.laspositascollege.edu/onlinelearning>.

NUTR 5 NUTRITION/PERFORMANCE & SPORT 3.0 Units
 Students will study the role of nutrition in sports, performance and physical fitness. Optimal food, nutrient, and activity choices to maximize athletic performance for all athlete types.

Prerequisite: NUTR 1 with a minimum grade of C

Day 33487 TTh 2:00-3:15 PE212 HIMMELSTEIN 01/13-05/22 GR V01

OCCUPATIONAL SAFETY AND HEALTH

OSH 62 PHYSICAL HAZARDS 3.0 Units
 Examination of physical hazards in the work environment and methods of control. Includes review of key hazards associated with human factors e.g., work area layout and planning, machine guarding, electrical safety, materials handling, rigging, conveyors, power tools, personal protective equipment, compressed gases, illumination, and working surfaces. Emphasis on methods for safety observation and inspection.

Eve 33485 Mon 7:00-9:50 1816 MCCONNELL 01/13-05/22 GR 093

PHILOSOPHY

PHIL 1 GOD, NATURE, HUMAN NATURE 3.0 Units
 An exploration of the nature and range of philosophical inquiry in relation to everyday problems of humans as individuals, as citizens, as physical creatures, and as creators of spiritual and artistic works. Philosophical texts are analyzed with special attention given to the development of skills in analysis and argumentation. NOTE: Philosophy 2 and 4 are also introductory courses and may be taken before Philosophy 1 if a more detailed examination of ethical problems, the theory of knowledge, or political philosophy is desired.

Strongly Recommended: Eligibility for ENG 1A

Day 32211 MW 9:30-10:45 2490 ALVAREZ 01/13-05/22 GR V01

Web 30280 ONLINE STAFF 01/13-05/22 GR DE1
 PHIL 1-DE1 is an online course. For more information, see the section titled "Online Learning" in this schedule, or go to <http://www.laspositascollege.edu/onlinelearning>.

Web 30304 ONLINE STAFF 01/13-05/22 GR DE2
 PHIL 1-DE2 is an online course. For more information, see the section titled "Online Learning" in this schedule, or go to <http://www.laspositascollege.edu/onlinelearning>.

PHIL 2 ETHICS 3.0 Units
 This course covers the concepts of morality, values and influential ethical theories. Students taking this course will be required to use philosophical methods to evaluate these theories for themselves and show how these theories can apply to everyday

ethical questions.

Strongly Recommended: Eligibility for ENG 1A

Day 33249 TTh 11:00-12:15 2450 ALVAREZ 01/13-05/22 GR V01

Day 31728 MW 2:00-3:15 2450 ALVAREZ 01/13-05/22 GR V02

Web 30363 ONLINE BODNAR 01/13-05/22 GR DE1

PHIL 2-DE1 is an online course. For more information, see the section titled "Online Learning" in this schedule, or go to <http://www.laspositascollege.edu/onlinelearning>.

Web 32512 ONLINE STAFF 01/13-05/22 GR DE2

PHIL 2-DE2 is an online course. For more information, see the section titled "Online Learning" in this schedule, or go to <http://www.laspositascollege.edu/onlinelearning>.

PHIL 3 AESTHETICS 3.0 Units

An introduction to the philosophical analysis of art. Topics include the nature of art and beauty, the value of art, and philosophical methods of evaluating, critiquing, and drawing meaning from artistic works.

Day 30586 TTh 9:30-10:45 2450 TROXA 01/13-05/22 OP V01

PHOTOGRAPHY

PHTO 50 INTRODUCTION TO PHOTOGRAPHY 3.0 Units
 Introduction to the history and development of photography, basic processes, various types of cameras, materials, basic shooting, processing developing, and printing of photographs.

Day 31177 Tue 9:00-10:50 713 HORVATH 01/13-05/22 OP V02

Lab Tue 11:00-11:50 703 01/13-05/22 OP

Lab Th 9:00-11:50 703 01/13-05/22 OP

Students enrolled in PHTO 50 will be assessed a \$20 materials fee at registration.

PHTO 56 INTRO TO DIGITAL PHOTOGRAPHY 1.5 Units

The course covers basics for the beginner's use of digital cameras, film and flatbed scanners, and use of Adobe software for image adjustments. Exploration of digital photography compared with traditional photographic approaches and processes. Operation of Adobe digital imaging software for preparation of web site photos and print output, in both black and white and in color.

Day 30720 Mon 3:00-3:50 713 ANAYA 01/13-05/22 OP V01

Lab Mon 4:00-5:50 713 01/13-05/22 OP

Students enrolled in PHTO 56 will be assessed a \$20 materials fee at registration.

PHTO 58 INTRODUCTION TO VIDEOGRAPHY 3.0 Units

Introduction to the theory and practice of video production and desktop video editing including project production phases, time-based visual and sound design, digitizing footage, video output issues, working creatively in a collaborative environment, industry standards, using a Macintosh computer platform.

Day 30728 Fri 9:00-9:50 713 HORVATH 01/13-05/22 OP V01

Lab Fri 10:00-11:55 713 01/13-05/22 OP

Lab Fri 12:00-1:50 713 01/13-05/22 OP

Students enrolled in PHTO 58 will be assessed a \$20 materials fee at registration.

PHTO 64A ARTIFICIAL LIGHT PHOTOGRAPHY 3.0 Units

Photography using light sources selected and manipulated by

D/E	CRN	DAYS	TIMES	ROOM	INSTRUCTOR	DATES	CODES	SEC	D/E	CRN	DAYS	TIMES	ROOM	INSTRUCTOR	DATES	CODES	SEC
-----	-----	------	-------	------	------------	-------	-------	-----	-----	-----	------	-------	------	------------	-------	-------	-----

the photographer, use of light sources in a controlled situation to achieve technically accurate renditions of subject matter and to make successful visual statements, and lighting techniques for product, still life, and portrait photography.

Strongly Recommended: PHTO 50, PHTO 56 with a minimum grade of C

Eve	30721	Mon	6:30-7:20	713	ANAYA	01/13-05/22	OP	093
Lab		Mon	7:30-8:50	713		01/13-05/22	OP	
		Wed	6:30-7:20	713		01/13-05/22	OP	
Lab		Wed	7:30-8:50	713		01/13-05/22	OP	

Students enrolled in PHTO 64A will be assessed a \$20 materials fee at registration.

PHTO 68 COLOR FIELD PHOTOGRAPHY 3.0 Units

This course covers the use of either digital photography or color slide or negative film to explore the solution of special technical and visual problems encountered in location shooting.

Strongly Recommended: PHTO 50, PHTO 56 with a minimum grade of C

Sat	32155	Sat	10:00-1:50	713	ANAYA	01/13-05/22	OP	V01
-----	-------	-----	------------	-----	-------	-------------	----	-----

Students enrolled in PHTO 68 will be assessed a \$20 materials fee at registration.

PHTO 72 INTRO.TO PHOTOJOURNALISM 3.0 Units

This course deals with the photographer as a journalist, focusing on theory and practice in press and publications photography, with emphasis on using the camera as a reporting and communications tool. Covered are news and feature photography and photographic essays, including composition, impact, and creativity, for newspapers, magazines, the Internet, and other mass communications media. Understanding and applying photojournalistic and basic technical and visual skills in the making of successful reportage photographs. Consideration of the work of major 20th and 21st century photojournalists. Course is cross listed with PHTO 72. Student will receive credit for taking either MSCM 72 or PHTO 72.

Strongly Recommended: PHTO 50 and/or PHTO 56, and/or VCOM 53.

Day	33522	Tue	2:00-3:50	2409	HORVATH	01/13-05/22	OP	V01
Lab		Tue	4:00-4:50	2409		01/13-05/22	OP	
Lab		Th	2:00-4:50	2409		01/13-05/22	OP	

Students enrolled in PHTO 72 will be assessed a \$20 materials fee at registration.

PHYSICS

PHYS 1A GENERAL PHYSICS I 5.0 Units

Introduction to the principles of Newtonian Mechanics and analytical methods of physics using calculus as needed. Topics covered include vectors, kinematics, forces, energy, momentum, rotation, and gravitation. (Previously PHYS 8A)

Prerequisite: MATH 1 with a minimum grade of C

Day	32065	TTh	11:00-12:50	1871	REHAGEN	01/13-05/22	GR	V01
Lab		Tue	1:00-3:50	1831		01/13-05/22	GR	
Day	32521	TTh	11:00-12:50	1871	REHAGEN	01/13-05/22	GR	V02
Lab		Th	1:00-3:50	1831		01/13-05/22	GR	
Eve	32998	MW	2:30-4:20	1816	STAFF	01/13-05/22	GR	093
Lab		Wed	4:30-7:20	1831		01/13-05/22	GR	

PHYS 1B GENERAL PHYSICS II 5.0 Units

Introduction to fluid dynamics, oscillations, mechanical waves, thermodynamics, light and optics. (Previously PHYS 8C)

Prerequisite: PHYS 1A and MATH 2 with a minimum grade of C.

Day	32067	TTh	11:00-12:50	1816	HARPELL	01/13-05/22	GR	V01
Lab		Tue	1:00-3:50	1822		01/13-05/22	GR	
Day	32068	TTh	11:00-12:50	1816	HARPELL	01/13-05/22	GR	V02
Lab		Th	1:00-3:50	1822		01/13-05/22	GR	
Day	33518	MW	9:30-11:20	1831	REHAGEN	01/13-05/22	GR	V03
Lab		Mon	11:30-2:20	1831		01/13-05/22	GR	

PHYS 1C GENERAL PHYSICS III 5.0 Units

Introduction to electricity and magnetism, circuits, Maxwell's equations and electromagnetic waves. (Previously PHYS 8B)

Prerequisite: PHYS 1A and MATH 3 with a minimum grade of C (May be taken concurrently).

Day	32069	MW	9:30-11:20	1826	PEZZAGLIA	01/13-05/22	GR	V01
Lab		Wed	11:30-2:20	1831		01/13-05/22	GR	
Day	33519	MW	9:30-11:20	1826	PEZZAGLIA	01/13-05/22	GR	V02
Lab		Fri	9:00-11:50	1831		01/13-05/22	GR	

PHYS 1D GENERAL PHYSICS IV 3.0 Units

Introduction to relativity and modern physics, including: introduction to quantum theory; atomic, molecular, nuclear and particle physics; condensed matter physics; astrophysics and cosmology.

Prerequisite: PHYS 1B and PHYS 1C with a minimum grade of C (May be taken concurrently)

Day	32070	Mon	12:00-1:50	1822	WHITE	01/13-05/22	GR	V01
Lab		Wed	11:00-1:50	1822		01/13-05/22	GR	

PHYS 2B INTRODUCTION TO PHYSICS II 4.0 Units

This algebra-based course is an introduction to the basic principles of electricity, magnetism, and modern physics. Topics include electrostatics, magnetism, circuits, electromagnetic waves, optics, relativity, atomic physics, and nuclear physics.

Prerequisite: PHYS 2A with a minimum grade of C

Day	30087	MW	3:00-4:15	1871	STAFF	01/13-05/22	GR	V01
Lab		Fri	12:30-3:20	1831		01/13-05/22	GR	

POLITICAL SCIENCE

POLI 7 INTRO TO AMERICAN GOVERNMENT 4.0 Units

Introduction to the principles, problems and basic issues of government with particular emphasis on the national government in the United States, including discussion of the American Constitution, and California state and local government.

Strongly Recommended: Eligibility for ENG 1A

Day	30497	MW	9:00-10:50	2460	TORRES	01/13-05/22	OP	V01
Day	33324	TTh	9:00-10:50	2480	TORRES	01/13-05/22	OP	V02
Day	33325	MW	12:30-2:20	2460	TORRES	01/13-05/22	OP	V03
Day	33326	TTh	12:30-2:20	2450	TORRES	01/13-05/22	OP	V04
Day	30878	TTh	11:00-12:50	2460	JEN	01/13-05/22	OP	V05
Day	31956	TTh	2:00-3:50	2490	JEN	01/13-05/22	OP	V07
Day	32060	MW	11:00-12:50	1012	JEN	01/13-05/22	OP	V08

D/E	CRN	DAYS	TIMES	ROOM	INSTRUCTOR	DATES	CODES	SEC	D/E	CRN	DAYS	TIMES	ROOM	INSTRUCTOR	DATES	CODES	SEC
-----	-----	------	-------	------	------------	-------	-------	-----	-----	-----	------	-------	------	------------	-------	-------	-----

Web 30651 ONLINE GOUVEIA 01/13-05/22 OP DE1
 POLI 7-DE1 is an online course. For more information, see the section titled "Online Learning" in this schedule, or go to <http://www.laspositascollege.edu/onlinelearning>.

Web 31949 ONLINE HERTZ 01/13-05/22 OP DE2
 POLI 7-DE2 is an online course. For more information, see the section titled "Online Learning" in this schedule, or go to <http://www.laspositascollege.edu/onlinelearning>.

POLI 20 COMPARATIVE GOVERNMENT 3.0 Units
 Contemporary forms of government, institutions and political problems of selected national governments.

Strongly Recommended: POLI 7 with a minimum grade of C, Eligibility for ENG 1A

Day 33327 MW 11:00-12:15 2460 TORRES 01/13-05/22 OP VO1

POLI 25 INTRO TO POLITICAL THEORY 3.0 Units
 Various theoretical approaches to politics including selected aspects of political thought from ancient times to the present with application to current political thought.

Strongly Recommended: Eligibility for ENG 1A, POLI 7 with a minimum grade of C

Day 30727 Mon 1:00-3:50 1012 JEN 01/13-05/22 OP VO1

POLI 30 INTERNATIONAL RELATIONS 3.0 Units
 Introduction to international relations, politics, theories and institutions with an emphasis on contemporary practices.

Strongly Recommended: POLI 7 with a minimum grade of C, Eligibility for ENG 1A

Eve 33603 Th 4:00-6:50 tba STAFF 01/13-05/22 OP 093

Day 32719 MW 9:30-10:35 105 KUBISCHTA 01/27-05/22 OP LSI
 PCN 10-LSI is a Late Start course that meets from Jan 27-May 22.

Day 32152 TTh 1:00-1:50 1012 CALDERON 01/13-05/22 OP VO1

Eve 32153 Tue 5:00-6:50 1602 OLIVEIRA 01/13-05/22 OP 093

Web 32095 ONLINE BURKS 01/13-05/22 OP DE1
 PCN 10-DE1 is an online course. For more information, see the section titled "Online Learning" in this schedule, or go to <http://www.laspositascollege.edu/onlinelearning>.

PCN 13 MULTICULTURAL ISSUES:AMERICA 3.0 Units

Exploration of issues relating to the multicultural community in which we live today. Interpersonal relations and communication. Focus on improving individuals understanding of other cultures and how those cultures impact the American lifestyle. Includes exploration of myths and misunderstandings. Discussion of four specific cultures or sub-cultures from the following groups: 1) African-American, 2) Asian-American, 3) Hispanic-American, 4) Native-American, 5) Middle Eastern-American, 6) European-American, 7) Gay/Lesbian American, 8) Disabled American.

Day 32097 TTh 4:00-5:25 1641 GRAVINO 01/27-05/22 OP LSI

PCN 13-LSI is a Late Start course that meets from Jan 27-May 22.

Day 32096 TTh 9:30-10:45 1641 GECOX 01/13-05/22 OP VO1

Web 32098 ONLINE LIRA 01/13-05/22 OP DE1

PCN 13-DE1 is an online course. For more information, see the section titled "Online Learning" in this schedule, or go to <http://www.laspositascollege.edu/onlinelearning>.

Web 32099 ONLINE LIRA 03/16-05/15 OP LO1

PCN 13-LO1 is a Fast Track online course that meets from Mar 16-May 15. For more information, see the section titled "Online Learning" in this schedule, or go to <http://www.laspositascollege.edu/onlinelearning>.

PCN 15 COLLEGE STUDY SKILLS 2.0 Units

A review of study skill techniques for success in college. Topics include college culture and resources, time management, personal learning style, organization, note-taking and test-preparation strategies. Includes practice and evaluation of study skill techniques.

Day 33494 TTh 2:00-3:05 1602 CALDERON 01/27-05/22 OP LSI

PCN 15-LSI is a Late Start course that meets from Jan 27-May 22.

PCN 18 UNIVERSITY TRANSFER PLANNING 1.0 Units

Introduction to the resources and planning process needed to ease transition from community college to a four-year college or university. Development of a transfer action plan. Preparation for major and general education requirements. Application cycles and important deadlines. Recommended for those transferring to four-year colleges or universities.

Day 32100 Mon 9:30-10:20 103 VALLE 01/13-05/22 OP P01

PCN 18-P01 is part of the Puente Program Learning Community and is linked to ENG 1A-P01, MW 11-12:15. For more information, or to register for the program, please contact Rafael Valle at rvalle@laspositascollege.edu

Day 32101 Wed 9:30-10:20 103 BURKS 01/13-05/22 OP U01

PCN 18-U01 is part of the Umoja Learning Community and is linked to ENG 1A-U01, MW 11-12:15. Interested students should contact Kimberly Burks at kburks@laspositascollege.edu or at (925) 424-1437.

Day 32720 Tue 2:00-2:50 103 HOWARD 01/13-05/22 OP VO1

PCN 18-VO1 is part of the HSI Gateway to Stem Success Learning Community. For more information, or to register for the program, please contact Jared Howard at jhoward@laspositascollege.edu

PSYCHOLOGY COUNSELING

PCN 5 INTRO. SOCIAL WK & HUMAN SERV. 3.0 Units

An introductory overview of social welfare and the societal institutions in the U.S. that structure the provision of social services. The course presents a historical perspective on the development of U.S. social work and human services. Special attention is given to the evolution of social welfare programs and institutions, major U.S. court decisions, contemporary social problems, current service delivery systems, policies, procedures, and the tasks of culturally responsive social workers and human service workers within those settings.

Strongly Recommended: ENG 1A completed with a grade of C

Web 33493 ONLINE LIRA 01/13-05/22 OP DE1

PCN 5-DE1 is an online course. For more information, see the section titled "Online Learning" in this schedule, or go to <http://www.laspositascollege.edu/onlinelearning>.

PCN 10 CAREER AND EDUC. PLANNING 2.0 Units

Exploration of the concept of career, educational and life planning focusing on personal career development through self-assessment. Emphasis on clarification of individual interests, values, needs, abilities and decision making styles, investigation of occupational opportunities in the world of work, and introduction to job search strategies, resume writing and interview skills. Designed for those undecided or uncertain about their career and educational plans.

D/E	CRN	DAYS	TIMES	ROOM	INSTRUCTOR	DATES	CODES	SEC	D/E	CRN	DAYS	TIMES	ROOM	INSTRUCTOR	DATES	CODES	SEC
Web	32270		ONLINE		SCHWARZ	03/16-05/15	OP	L01	Day	31860	MW	11:00-12:15	2205	LEVEQUE	01/13-05/22	OP	V07
<p>PCN 18-L01 is a Fast Track online class that meets Mar 16-May 15. For more information, see the section titled "Online Learning" in this schedule, or go to http://www.laspositascollege.edu/onlinelearning.</p>									Day	31963	MW	3:30-4:45	2480	FAULKENBERR	01/13-05/22	OP	V08
									Day	33557	TTh	2:00-3:15	2204	STAFF	01/13-05/22	OP	V09
									Eve	31538	Tue	7:00-9:50	1056	TURNER-AUGU	01/13-05/22	OP	094

PCN 30 STUDENT SUCCESS:COLLEGE EXP. 3.0 Units

This course explores concepts, knowledge, and skills relevant to college success. Students will engage in critical analysis on a variety of topics, including motivation, decision making, interpersonal communication, multicultural awareness, and learning theory. Problem solving strategies will be applied to areas including goal setting, career development, wellness, and accessing campus resources.

Day	33495	TTh	11:00-12:15	1602	CALDERON	01/13-05/22	OP	V01
Day	32102	TTh	12:30-1:45	1641	STAFF	01/13-05/22	OP	V02

PCN 30-V02 is open to all students. This section is designed to support students who are experiencing academic difficulty.

Day	32154	Wed	9:30-10:45	1641	DISCUA	01/13-05/22	OP	HY1
			ONLINE/HYBRID			01/13-05/22	OP	

PCN 30-HY1 is a hybrid course. Classes will meet Wednesdays from 9:30-10:45 in Room 1641. The remainder of the course will be completed online. For more information, see the section titled "Online Learning" in this schedule, or visit <http://www.laspositascollege.edu/onlinelearning>.

Web 32574 ONLINE SCHWARZ 03/16-05/15 OP L01

PCN 30-L01 is a Fast Track online course that meets from Mar 16-May 15. For more information, see the section titled "Online Learning" in this schedule, or visit <http://www.laspositascollege.edu/onlinelearning>.

PCN 35 DRUGS, HEALTH, AND SOCIETY 3.0 Units

This course provides an overview of the epidemiology and toxicology of substance abuse and its relevance to personal and public health. Students will be introduced to the concept of substance abuse and dependence, the definition of licit and illicit drugs, and the pharmacologic, neurologic and physiologic effects of selected substances on the human in the supply and demand for drugs will be discussed. Epidemiologic data on the prevalence, incidence, and trends of smoking, alcohol, prescription and other drug dependencies in the U.S. will be covered, as well as risk factors associated with the use and abuse of these substances. Current options for recovery and a survey of local resources will be reviewed.

Strongly Recommended: Eligibility for ENG 1A

Day	33496	MW	11:00-12:15	1641	GECOX	01/13-05/22	OP	V01
-----	-------	----	-------------	------	-------	-------------	----	-----

PSYCHOLOGY

PSYC 1 GENERAL PSYCHOLOGY 3.0 Units

Introduces students to the scientific study of behavior and mental processes. Provides an overview of major psychological concepts and theories in such areas as consciousness, learning, memory, motivation, perception, personality, stress, and social behavior.

Strongly Recommended: Eligibility for ENG 1A with a minimum grade of C

Day	30474	MW	9:30-10:45	2204	STAMATAKIS	01/13-05/22	OP	V01
Day	30194	MW	12:30-1:45	2205	LEVEQUE	01/13-05/22	OP	V02
Day	30008	MW	2:00-3:15	2470	FAULKENBERR	01/13-05/22	OP	V03
Day	30157	TTh	9:30-10:45	2420	ROY	01/13-05/22	OP	V04
Day	30584	TTh	11:00-12:15	2204	ROY	01/13-05/22	OP	V05
Day	30518	TTh	12:30-1:45	2205	KELLER	01/13-05/22	OP	V06

Day	31860	MW	11:00-12:15	2205	LEVEQUE	01/13-05/22	OP	V07
Day	31963	MW	3:30-4:45	2480	FAULKENBERR	01/13-05/22	OP	V08
Day	33557	TTh	2:00-3:15	2204	STAFF	01/13-05/22	OP	V09
Eve	31538	Tue	7:00-9:50	1056	TURNER-AUGU	01/13-05/22	OP	094

Web 30226 ONLINE TURNER-AUGU 01/13-05/22 OP DE1

PSYC 1-DE1 is an online course. For more information, see the section titled "Online Learning" in this schedule, or go to <http://www.laspositascollege.edu/onlinelearning>.

Web 30595 ONLINE TURNER-AUGU 01/13-05/22 OP DE2

PSYC 1-DE2 is an online course. For more information, see the section titled "Online Learning" in this schedule, or go to <http://www.laspositascollege.edu/onlinelearning>.

Web 30349 ONLINE RUYS 01/13-05/22 OP DE3

PSYC 1-DE3 is an online course. For more information, see the section titled "Online Learning" in this schedule, or go to <http://www.laspositascollege.edu/onlinelearning>.

Web 31748 ONLINE RUYS 01/13-05/22 OP DE4

PSYC 1-DE4 is an online course. For more information, see the section titled "Online Learning" in this schedule, or go to <http://www.laspositascollege.edu/onlinelearning>.

PSYC 3 INTRO. TO SOCIAL PSYCHOLOGY 3.0 Units

This course will introduce theories and concepts that explain individual behavior in social settings. The topics include research methods, social perception, social cognition, beliefs, prejudice/discrimination, interpersonal relationships, aggression, and group behavior.

Strongly Recommended: PSYC 1 with a minimum grade of C

Day	30335	TTh	12:30-1:45	2306	ROY	01/13-05/22	OP	V01
Web	31675		ONLINE		ROY	01/13-05/22	OP	DE1

PSYC 3-DE1 is an online course. For more information, see the section titled "Online Learning" in this schedule, or go to <http://www.laspositascollege.edu/onlinelearning>.

PSYC 4 BRAIN, MIND, AND BEHAVIOR 3.0 Units

Introduction to the field of biopsychology. The biopsychology of cognitive, perceptual, emotional, developmental, and social processes. Includes the biopsychology of personality, gender, emotions, learning, learning disabilities, drugs, neurological and developmental disorders, and mental health. Examination of information and theory for practical application.

Prerequisite: PSYC 1 with a minimum grade of C

Day	30264	MW	11:00-12:15	2470	KELLER	01/13-05/22	OP	V01
Day	30189	MW	12:30-1:45	2470	KELLER	01/13-05/22	OP	V02
Day	30585	TTh	12:30-1:45	2480	JONES	01/13-05/22	OP	V03
Eve	30049	Mon	7:00-9:50	PE212	FAULKENBERR	01/13-05/22	OP	093
Web	30580		ONLINE		KELLER	01/13-05/22	OP	DE1

PSYC 4-DE1 is an online course. For more information, see the section titled "Online Learning" in this schedule, or go to <http://www.laspositascollege.edu/onlinelearning>.

PSYC 6 ABNORMAL PSYCHOLOGY 3.0 Units

An introduction to mental health and the major mental health disorders in adults and children; includes anxiety, mood, personality, sexual, and psychotic disorders. The course will include the study of the major psychological, biological, and sociocultural models of mental health disorders and their treatment.

Day	30181	MW	11:00-12:15	105	TURNER-AUGU	01/13-05/22	OP	V01
Day	30337	TTh	11:00-12:15	2205	LIGNELL	01/13-05/22	OP	V02

CODES: OP = Course taken for letter grade or pass/no pass; P/NP = Course taken is Pass/No Pass only; GR = Course taken for letter grade only

D/E	CRN	DAYS	TIMES	ROOM	INSTRUCTOR	DATES	CODES	SEC	D/E	CRN	DAYS	TIMES	ROOM	INSTRUCTOR	DATES	CODES	SEC
-----	-----	------	-------	------	------------	-------	-------	-----	-----	-----	------	-------	------	------------	-------	-------	-----

Day 31676 MW 9:30-10:45 1012 LEVEQUE 01/13-05/22 OP V03
Web 31861 ONLINE BUNDY 01/13-05/22 OP DE1

PSYC 6-DE1 is an online course. For more information, see the section titled "Online Learning" in this schedule, or go to <http://www.laspositascollege.edu/onlinelearning>.

Web 32362 ONLINE BUNDY 01/13-05/22 OP DE2
PSYC 6-DE2 is an online course. For more information, see the section titled "Online Learning" in this schedule, or go to <http://www.laspositascollege.edu/onlinelearning>.

PSYC 10 PSYCHOLOGY OF HUMAN SEXUALITY 3.0 Units
 Physiological and psychosocial aspects of sexual health in our contemporary society. Understanding the interrelationship of attitude and behavior as it relates to sexual well-being and sexual integrity.

Day 30336 TTh 9:30-10:45 106 HARTMAN 01/13-05/22 OP V01
Eve 32059 Wed 7:00-9:50 2204 ONEAL 01/13-05/22 OP 093

PSYC 12 LIFE-SPAN PSYCHOLOGY 3.0 Units
 Introduction to the psychological, physiological, and socio-cultural factors influencing development from conception through death. Emphasis on the process of normal development and its variations. Examination of theoretical models and research for practical application.

Day 30381 TTh 11:00-12:15 1057 KELLER 01/13-05/22 OP V02
Eve 32692 Mon 4:00-6:50 2490 LIGNELL 01/13-05/22 OP 093
Web 31677 ONLINE RUYS 01/13-05/22 OP DE1

PSYC 12-DE1 is an online course. For more information, see the section titled "Online Learning" in this schedule, or go to <http://www.laspositascollege.edu/onlinelearning>.

Web 31862 ONLINE RUYS 01/13-05/22 OP DE2
PSYC 12-DE2 is an online course. For more information, see the section titled "Online Learning" in this schedule, or go to <http://www.laspositascollege.edu/onlinelearning>.

PSYC 15 ABNORMAL CHILD PSYCHOLOGY 3.0 Units
 An exploration of the emotional, cognitive, developmental, and behavioral problems of childhood and adolescence. Topics include: common stresses and problems of adjustment; the effects of stress, abuse, and traumas on development; mental retardation, autism and other developmental disabilities; normal and abnormal problems of attention, conduct, mood, anxiety, sleep, eating, sex, learning and speech. Examination of theories of cause of mental health problems in children and adolescents and approaches to treatment. Examination of information and theory for practical application. Students who have completed or are enrolled in Early Childhood Development 15 may not receive credit.

Day 33259 MW 9:30-10:45 106 TURNER-AUGU 01/13-05/22 OP V01

PSYC 17 PSYCHOLOGY OF SLEEP & DREAMS 3.0 Units
 An introduction to the scientific study of sleep and dreams. Major historic, modern, multicultural views and theories of sleep and dreams; research methods in the study of sleep and dreams; the biological basis of sleep and dreams; biological rhythms; the stage and cycles of sleep; sleep requirements and changes across the lifespan; sleep deprivation and its effects on cognitive, emotional, behavioral functioning and health; the role of sleep and dreams in mental health; the relationship between sleep and daytime alertness and performance; theories of dream content, function, and meaning; dreaming and creativity; and lucid

dreaming; sleep disorders, their characteristics and treatments. Examination of information and theories for practical application.

Day 32514 TTh 11:00-12:15 1056 JONES 01/13-05/22 OP V01

PSYC 25 RESEARCH METHODS 4.0 Units
 Introduction to the use of the scientific method in the study of human and animal behavior. Coverage of descriptive, experimental, and non-experimental methods commonly used in psychological research. Topics will include ethical principles in research, hypothesis development and testing, observational methods, survey research, the fundamentals of experimental design, basic data analysis, and the presentation of research findings.

Prerequisites: PSYC 1 with a minimum grade of C and MATH 40 with a minimum grade of C (May be taken concurrently)

Day 31377 TTh 12:30-1:45 2416 RUYS 01/13-05/22 OP V01
Lab TTh 2:00-3:15 2416 01/13-05/22 OP
Day 32058 MW 11:00-12:15 2416 ROY 01/13-05/22 OP V03
Lab MW 12:30-1:45 2416 01/13-05/22 OP
Web 33260 Tue 6:00-8:50 2416 RUYS 01/13-05/22 OP HY1
ONLINE/HYBRID 01/13-05/22 OP

PSYC 25-HY1 is a hybrid course. Students will meet on campus from 6:00-8:50pm on Tuesdays. Students will be required to complete the remainder of the course online. For more information, see the section titled "Online Learning" in this schedule, or go to <http://www.laspositascollege.edu/onlinelearning>.

RADIATION SAFETY

RADS 40B EMERGENCY RESPONSE & MONITORING 1.0 Units
 A course designed to provide overview and understanding of radiological emergencies and instrumentation. Builds upon principles, concepts, and terminology from 40A, and introduces practical use of radiological survey equipment.

Prerequisite: RADS 40A with a minimum grade of C

Eve 32510 Wed 7:00-8:50 1871 STAFF 01/13-03/13 OP FT1
RADS 40B-FT1 is a Fast Track course that meets from Jan 13-Mar 13.

RADS 40C SAFETY CONTROLS & REGULATION 1.0 Units
 A course designed to provide further understanding of radiological controls, regulations, environmental impacts, and waste management.

Prerequisite: RADS 40A with a minimum grade of C or Instructor Approval

Eve 32511 Wed 7:00-8:50 1871 STAFF 03/16-05/15 OP FT2
RADS 40C-FT2 is a Fast Track course that meets from Mar 16-May 15.

RELIGIOUS STUDIES

RELS 1 RELIGIONS OF THE WORLD 3.0 Units
 Introduction to religion by examining several religions; basic principles of each shown by fundamental scriptures and works in the visual and musical arts.

Day 31161 TTh 12:30-1:45 1060 TOMLINSON 01/13-05/22 OP V01
Web 30114 ONLINE STAFF 01/13-05/22 OP DE1
RELS 1-DE1 is an online course. For more information, see the section titled

D/E	CRN	DAYS	TIMES	ROOM	INSTRUCTOR	DATES	CODES	SEC	D/E	CRN	DAYS	TIMES	ROOM	INSTRUCTOR	DATES	CODES	SEC
-----	-----	------	-------	------	------------	-------	-------	-----	-----	-----	------	-------	------	------------	-------	-------	-----

"Online Learning" in this schedule, or go to <http://www.laspositascollege.edu/onlinelearning>.

Web 33532 ONLINE STAFF 01/13-05/22 OP DE2
 RELS 1-DE2 is an online course. For more information, see the section titled "Online Learning" in this schedule or go to <http://www.laspositascollege.edu/onlinelearning>.

Web 32151 ONLINE STAFF 01/13-03/13 OP DE3
 RELS 1-FT1 is a Fast Track online course that meets from Jan 13-Mar 13. For more information, see the section titled "Online Learning" in this schedule, or go to <http://www.laspositascollege.edu/onlinelearning>.

Web 32212 ONLINE STAFF 03/16-05/15 OP L01
 RELS 1-FT4 is a Fast Track online course which meets from Mar 16-May 15. For more information, see the section titled "Online Learning" in this schedule, or go to <http://www.laspositascollege.edu/onlinelearning>.

RELS 2 BIBLE: HISTORY AND LITERATURE 3.0 Units
 Study of the historical context and literary forms of the Hebrew Bible and New Testament. Emphasis on social, political and economic origins of the works, their literary motifs, and how their creation reflected ongoing cultural values.

Day 33484 TTh 11:00-12:15 1060 TOMLINSON 01/13-05/22 OP V01

SOCIOLOGY

SOC 1 PRINCIPLES OF SOCIOLOGY 3.0 Units
 The sociological perspective: scientific study of human interaction and society as a whole with emphasis on the impact of groups on social behavior, systematic examination of culture, social organization, and methodology.

Day 33515 Wed 12:30-1:45 1641 THOMPSON 01/13-05/22 GR HY1
 ONLINE/HYBRID 01/13-05/22 GR

SOC 1-HY1 is a hybrid course. For more information, see the section titled "Online Learning" in this schedule, or go to <http://www.laspositascollege.edu/onlinelearning>.

Day 30010 TTh 8:00-9:15 104 BAUER 01/13-05/22 OP V02

Day 30880 TTh 9:30-10:45 1012 HIROSE 01/13-05/22 OP V03

Eve 31964 Wed 7:00-9:50 104 MESMER 01/13-05/22 OP 093

Eve 30009 MW 4:30-5:45 1641 BAUER 01/13-05/22 GR 094

Web 30234 ONLINE SADEGHI 01/13-05/22 GR DE1
 SOC 1-DE1 is an online course. For more information, see the section titled "Online Learning" in this schedule, or go to <http://www.laspositascollege.edu/onlinelearning>.

Web 30591 ONLINE SADEGHI 01/13-05/22 GR DE2
 SOC 1-DE2 is an online course. For more information, see the section titled "Online Learning" in this schedule, or go to <http://www.laspositascollege.edu/onlinelearning>.

SOC 3 CULTURAL AND RACIAL MINORITIES 3.0 Units
 Racial and ethnic relations in the United States. Examines the cultural, political, and economic practices and institutions that support or challenge racism, racial and ethnic inequalities, as well as patterns of interaction between various racial and ethnic groups.

Strongly Recommended: SOC 1 with a minimum grade of C

Day 33516 Mon 12:30-1:45 1641 HIROSE 01/13-05/22 OP HY1
 ONLINE/HYBRID 01/13-05/22 GR

SOC 3-HY1 is a hybrid course. For more information, see the section titled

"Online Learning" in this schedule, or go to <http://www.laspositascollege.edu/onlinelearning>.

Web 30536 ONLINE HIROSE 01/13-05/22 OP DE1
 SOC 3-DE1 is an online course. For more information, see the section titled "Online Learning" in this schedule, or go to <http://www.laspositascollege.edu/onlinelearning>.

Web 31965 ONLINE HIROSE 01/13-05/22 OP DE2
 SOC 3-DE2 is an online course. For more information, see the section titled "Online Learning" in this schedule, or go to <http://www.laspositascollege.edu/onlinelearning>.

SOC 4 MARRIAGE AND FAMILY RELATIONS 3.0 Units
 Sociological perspective of the family including mate selection, marital roles, marital adjustment, sexual adjustment, reproduction, child rearing, marital dissolution, and problems associated with the family in modern industrial society.

Strongly Recommended: SOC 1 with a minimum grade of C

Day 31420 MW 9:30-10:45 104 MESMER 01/13-05/22 GR V01

SOC 6 SOCIAL PROBLEMS 3.0 Units
 An identification and analysis of contemporary social problems including (1) the role of power and ideology in the definition of social problems, (2) their causes and consequences, (3) evaluations of proposed solutions, and (4) methods of intervention. Topics will vary.

Day 31178 MW 2:00-3:15 105 MESMER 01/13-05/22 OP V01

SOC 7 SOCIOLOGY OF SEXUALITY 3.0 Units
 This course looks at the social forces that influence, and are influenced by our construction of sexuality. Topics covered include: the social construction of the erotic, the creation of sexual identities, gender and sexuality, religion and sexuality, sexual commerce, and global issues such as birth control and STDs.

Strongly Recommended: SOC 1 with a minimum grade of C

Web 33517 ONLINE THOMPSON 01/13-05/22 GR DE1
 SOC 7-DE1 is an online course. For more information, see the section titled "Online Learning" in this schedule, or go to <http://www.laspositascollege.edu/onlinelearning>.

SOC 11 SOCIOLOGY OF GENDER 3.0 Units
 This course examines the social construction of masculinity and femininity historically and cross-culturally. It analyzes the impact of economic and political change on gender expectations and practices. This class focus includes both macro-analyses of how institutions shape gender and microanalyses of how individuals "do" or practice gender.

Day 32513 TTh 12:30-1:45 2203 BAUER 01/13-05/22 OP V01

SOC 13 RESEARCH METHODS 4.0 Units
 This course orients students to the methods of data collection and analysis used by sociologists. Instruction includes an overview of sociological theory, instruction on experimental methods, surveys, interviews, field research, participant observation, demographic methods, and comparative historical approaches.

Prerequisite: SOC 1 with a minimum grade of C

Strongly Recommended: MATH 40 with a minimum grade of C

Web 32057 ONLINE HIROSE 01/13-05/22 OP DE1
 SOC 13-DE1 is an online course. For more information, see the section titled "Online Learning" in this schedule, or go to <http://www.laspositascollege.edu/onlinelearning>.

SPANISH

SPAN 1A BEGINNING SPANISH 5.0 Units

This introductory level course offers a balanced approach to language and culture. It will enable students to begin speaking, reading and writing elementary level Spanish as well as understanding the spoken language as they explore the culture and countries of the Spanish-speaking world. Students are introduced to concepts of grammar, vocabulary and verb tenses in a variety of auditory, visual and written contexts.

Strongly Recommended: ENG 1A with a minimum grade of C

Day 30225 MW 9:30-11:45 1052 SUAREZ 01/13-05/22 OP V01

SPAN 1A-V01 is open to all students but has an optional embedded honors component. Students who qualify for the Honors Transfer Program may take it for honors credit. See instructor and visit <http://www.laspositascollege.edu/honors> for more information.

Day 30657 TTh 12:30-2:45 1051 SUAREZ 01/13-05/22 OP V03

SPAN 1A-V03 is open to all students but has an optional embedded honors component. Students who qualify for the Honors Transfer Program may take it for honors credit. See instructor and visit <http://www.laspositascollege.edu/honors> for more information.

Eve 30395 TTh 6:00-8:15 1052 NEVAREZ 01/13-05/22 OP 093

SPAN 1B ELEMENTARY SPANISH 5.0 Units

This is the second semester of the introductory level course. It continues to offer a balanced approach to language and culture. It enables students to continue learning to speak, read and write elementary level Spanish as well as to understand the spoken language as they explore the culture and countries of the Spanish-speaking world. Students continue to review and improve upon concepts of grammar, vocabulary and verb tenses in a variety of auditory, visual and written contexts. The course will continue to examine the culture of the Spanish-speaking world.

Prerequisite: SPAN 1A with a minimum grade of C

Day 30233 TTh 9:30-11:45 1052 SUAREZ 01/13-05/22 OP V01

SPAN 1B-V01 is open to all students but has an optional embedded honors component. Students who qualify for the Honors Transfer Program may take it for honors credit. See instructor and visit <http://www.laspositascollege.edu/honors> for more information.

SPAN 2A INTERMEDIATE SPANISH I 4.0 Units

This course covers a review of grammar, reading of contemporary literature, practice in conversation and composition, and discussion of cultural topics.

Prerequisite: SPAN 1B with a minimum grade of C

Eve 33247 TTh 6:00-7:50 1052 WEISS 01/13-05/22 OP 093

SPAN 2B INTERMEDIATE SPANISH II 4.0 Units

A course covering the reading of contemporary works, advanced review of grammar emphasis on speaking and composition, and further discussion of cultural topics.

Prerequisite: SPAN 2A with a minimum grade of C

Eve 33248 TTh 6:00-7:50 1052 WEISS 01/13-05/22 OP 093

SPAN 22 SPANISH SPEAKERS II 5.0 Units

This course is the second semester of Spanish for bilingual students. It's designed for students whose heritage language is Spanish and for linguistically qualified students who wish to improve their reading and writing Spanish skills. It continues to provide students with instruction that builds upon their

existing reading, writing, speaking and listening skills, and their cultural heritage and knowledge. The course will continue helping students increase awareness of linguistic registers, discuss topics beyond the students' familiar routine and expand upon appreciation for Hispanic cultures as manifested in Spanish speaking countries and in the United States. This course is conducted entirely in Spanish: oral fluency in Spanish is strongly recommended.

Prerequisite: SPAN 21 with a minimum grade of C

Day 32518 TTh 12:30-2:45 1052 NEVAREZ 01/13-05/22 GR V01

THEATER ARTS

THEA 1A THEORY/PRACTICE OF ACTING I 3.0 Units

This course prepares a student to apply basic acting theory to performance and develops the skills of interpretation of drama through acting. Special attention is paid to skills for performance: memorization, stage movement, vocal production, and interpretation of text. An introduction to the techniques and theories of acting, explored through improvisation, exercises and scene study. Students should be able to demonstrate the following skills: development of the physical and psychological resources for acting including relaxation, concentration, creativity, believability, and commitment.

Strongly Recommended: ENG 1A

Day 31647 MW 11:00-12:15 4127 ROSS 01/13-05/22 GR V01

Day 32203 TTh 9:30-10:45 4127 LISH 01/13-05/22 GR V02

THEA 1B THEORY/PRACTICE OF ACTING II 3.0 Units

Continued exploration of the theory and practice of acting, focusing on more complex characterization and character analysis. Introduction to theatrical styles and period acting with emphasis on monologues and scenes.

Prerequisite: THEA 1A with a minimum grade of C or an equivalent acting class or acting performance experience.

Day 30080 MW 12:30-1:45 4127 MCBRIDE 01/13-05/22 GR V01

THEA 4 MODERN AMERICAN THEATER 3.0 Units

The history, representation and contributions of various works of Modern American Theater and the study of Modern American theater as an instrument for expressing and understanding cultural identity. The focus will be on at least three of the following cultural groups: African Americans, Asian Americans, European Americans, Latin Americans and Native Americans.

Strongly Recommended: ENG 1A with a minimum grade of C

Web 33329 ONLINE WISELY 01/13-05/22 GR DEI

THEA 4-DEI is an online course. For more information, see the section titled "Online Learning," or go to <http://www.laspositascollege.edu/onlinelearning>.

THEA 10 INTRODUCTION TO DRAMATIC ARTS 3.0 Units

A survey of the elements of Theater event and its contribution to cultures and societies throughout history.

Strongly Recommended: Eligibility for ENG 1A

Day 33535 TTh 9:30-10:45 4212 WISELY 01/13-05/22 GR V01

Web 32778 ONLINE STAFF 01/13-05/22 GR DEI

THEA 10-DEI is an online course. For more information, see the section titled "Online Learning" in this schedule, or go to <http://www.laspositascollege.edu/onlinelearning>.

D/E	CRN	DAYS	TIMES	ROOM	INSTRUCTOR	DATES	CODES	SEC	D/E	CRN	DAYS	TIMES	ROOM	INSTRUCTOR	DATES	CODES	SEC
-----	-----	------	-------	------	------------	-------	-------	-----	-----	-----	------	-------	------	------------	-------	-------	-----

THEA 25 FUNDAMENTALS OF STAGE SPEECH 3.0 Units

Theory and practice of speech improvement for acting. Development of the voice, articulation and pronunciation for theater production. Covers speeches and oral traditions from 1600 to the present.

Day	33330	MW	9:30-10:45	4127	LISH	01/13-05/22	GR	V01
-----	-------	----	------------	------	------	-------------	----	-----

THEA 31D DRAMA WORKSHOP-DIRECTING 3.0 Units

Participation as a director or assistant director of one act plays, original student scripts, or other projects, leading to scheduled performances.

Prerequisite: THEA 1A with a minimum grade of C or THEA 10 with a minimum grade of B

Day	33331	Tue	11:00-12:45	4128	LISH	01/13-05/22	GR	V01
	Lab	Th	11:00-1:00	4128		01/13-05/22	GR	
	Lab	By Arr	1.5 Hrs/Wk	4128		01/13-05/22	GR	

Actors needed. If interested in performing, please email tlish@laspositascollege.edu Great for students with busy schedules.

THEA 47A PERFORM IN PROD:INTRO LIVE 3.0 Units

This course provides instruction and supervised participation in theatre rehearsal and performance. On stage participation in cast of scheduled main stage production. Enrollment by Audition only for the duration of the production.

Eve	33332	MTWTh	7:00-8:15	4127	MCBRIDE	01/13-05/22	GR	093
	Lab	MTWTh	8:30-10:00	4127		01/13-05/22	GR	

Enrollment for production Stage Door is by Audition only. Auditions scheduled for December 2019. Public performance March 6-15. Please see <http://www.laspositascollege.edu/theater>

Eve	33489	MTWTh	7:00-8:15	4127	STAFF	01/13-05/22	GR	094
	Lab	MTWTh	8:30-10:00	4127		01/13-05/22	GR	

Enrollment for production Shakespeare in Love is by Audition only. Auditions scheduled for December 2019. Public performance April 24-May 3. Rehearsals begin February 18. Please see <http://www.laspositascollege.edu/theater>.

THEA 47B PERFORMANCE IN PROD: BEGINNING 3.0 Units

As a continuation of THEA 47A, students will participate in the cast of a scheduled main stage production. Emphasis will be on character development, objectives, and actions.

Prerequisite: THEA 47A with a minimum grade of C

Eve	33333	MTWTh	7:00-8:15	4127	MCBRIDE	01/13-05/22	GR	093
	Lab	MTWTh	8:30-10:00	4127		01/13-05/22	GR	

Enrollment for production Stage Door is by Audition only. Auditions scheduled for December 2019. Public performance March 6-15. Please see <http://www.laspositascollege.edu/theater>

Eve	33490	MTWTh	7:00-8:15	4127	STAFF	01/13-05/22	GR	094
	Lab	MTWTh	8:30-10:00	4127		01/13-05/22	GR	

Enrollment for production Shakespeare in Love is by Audition only. Auditions scheduled for December 2019. Public performance April 24-May 3. Rehearsals begin February 18. Please see <http://www.laspositascollege.edu/theater>

THEA 47C PERFORMANCE IN PROD: INTERMED. 3.0 Units

This course is a continuation of THEA 47B. Student will participate in the cast of a scheduled main stage production. This course will focus on rehearsal technique, personal creative exploration, and ensemble building and motivated performance response.

Prerequisite: THEA 47B with a minimum grade of C

Eve	33334	MTWTh	7:00-8:15	4127	MCBRIDE	01/13-05/22	GR	093
	Lab	MTWTh	8:30-10:00	4127		01/13-05/22	GR	

Enrollment for production Stage Door is by Audition only. Auditions scheduled for December 2019. Public performance March 6-15. Please see <http://www.laspositascollege.edu/theater>

Eve	33491	MTWTh	7:00-8:15	4127	STAFF	01/13-05/22	GR	094
	Lab	MTWTh	8:30-10:00	4127		01/13-05/22	GR	

Enrollment for production Shakespeare in Love is by Audition only. Auditions scheduled for December 2019. Public performance April 24-May 3. Rehearsals begin February 18. Please see <http://www.laspositascollege.edu/theater>

THEA 47D PERFORMANCE IN PROD:ADVANCED 3.0 Units

As a continuation of THEA 47C, students will continue to develop onstage with participation in the cast of the scheduled main stage production. This course will emphasize complexity and polish in performance, personal and creative development as a theater professional, and outreach and publicity obligations.

Prerequisite: THEA 47C with a minimum grade of C

Eve	33335	MTWTh	7:00-8:15	4127	MCBRIDE	01/13-05/22	GR	093
	Lab	MTWTh	8:30-10:00	4127		01/13-05/22	GR	

Enrollment for production Stage Door is by Audition only. Auditions scheduled for December 2019. Public performance March 6-15. Please see <http://www.laspositascollege.edu/theater>

Eve	33492	MTWTh	7:00-8:15	4127	STAFF	01/13-05/22	GR	094
	Lab	MTWTh	8:30-10:00	4127		01/13-05/22	GR	

Enrollment for production Shakespeare in Love is by Audition only. Auditions scheduled for December 2019. Public performance April 24-May 3. Rehearsals begin February 18. Please see <http://www.laspositascollege.edu/theater>

THEA 48A TECH THEATER IN PROD-BEGINNING 3.0 Units

Students will gain practical experience in the application of production responsibilities in any of the following: stage management, house management, construction, scenery, properties, costume, lighting, sound and running crews. Enrollment is for the duration of the semester.

Strongly Recommended: THEA 50 with a minimum grade of C

Day	31649	Tue	4:00-4:50	4240	KELLY	01/13-05/22	OP	V01
		Tue	5:00-6:20	4240		01/13-05/22	OP	
		Th	4:00-6:20	4240		01/13-05/22	OP	
		By Arr	1.5 Hrs/Wk	4240		01/13-05/22	OP	

THEA 48B TECH THEATER IN PROD:INTERMED. 3.0 Units

Participation in scheduled productions and events as crew members and/or construction of said productions technical elements, including lighting and sound implementation. Enrollment is for the duration of the semester. Students may participate in the design and board operation of multiple productions or events per semester.

Strongly Recommended: THEA 50 with a minimum grade of C THEA 48A

Day	31650	Tue	4:00-4:50	4240	KELLY	01/13-05/22	OP	V01
	Lab	Tue	5:00-6:20	4240		01/13-05/22	OP	
	Lab	Th	4:00-6:20	4240		01/13-05/22	OP	
	Lab	By Arr	1.0 Hrs/Wk	4240		01/13-05/22	OP	

THEA 48C TECH THEATER PRODUCTION-ADV. 3.0 Units

Participation in scheduled productions as designer and/or assistant designers of said productions technical elements,

D/E	CRN	DAYS	TIMES	ROOM	INSTRUCTOR	DATES	CODES	SEC	D/E	CRN	DAYS	TIMES	ROOM	INSTRUCTOR	DATES	CODES	SEC
-----	-----	------	-------	------	------------	-------	-------	-----	-----	-----	------	-------	------	------------	-------	-------	-----

including scenic, costume, lighting and sound design. Enrollment is for the duration of the semester. Students may participate in more than one production per semester, as needed.

Prerequisite: THEA 48A with a minimum grade of C (May be taken concurrently), THEA 50L or THEA 51 or THEA 52 with a minimum grade of C
Strongly Recommended: MATH 107 or MATH 107B with a minimum grade of C

Day	31651	Th	4:00-4:50	4240	KELLY	01/13-05/22	OP	V01
Lab	By Arr		2.0 Hrs/Wk	4240		01/13-05/22	OP	

THEA 48D TECH.THEATER-PROD. MANAGEMENT 3.0 Units
 Participation in scheduled productions as manager of productions technical elements, including stage management, house management, and publicity management. Enrollment is for the duration of the semester. Students may participate in more than one production or event per semester.

Prerequisite: THEA 48A with a minimum grade of C (May be taken concurrently)

Day	31652	Tue	4:00-4:50	4240	KELLY	01/13-05/22	OP	V01
Lab	By Arr		6.0 Hrs/Wk	4240		01/13-05/22	OP	

THEA 50L INTRODUCTION TO STAGE LIGHTING 3.0 Units
 This course involves the study and execution of stage lighting with emphasis on equipment, control, and their relationship to design. Introduction to stage lighting design. Physics of light, color, electricity; components of basic lighting technology; comprehensive overview of the art of theater lighting design.

Strongly Recommended: THEA 50 with a minimum grade of C

Day	32134	TTh	1:00-1:50	4240	KELLY	01/13-05/22	OP	V01
Lab	TTh		2:00-3:50	4240		01/13-05/22	OP	

TUTORING

TUTR 17A TUTORING THEORY AND PRACTICE I 0.5 Units
 Training for college tutors to acquire specific skills and techniques for tutoring in academic and vocational subject areas, and basic skills. The course will provide a conceptual framework of tutoring to guide students in leading effective tutoring sessions.

Day	31736	Fri	12:00-3:00	2401	TSUBOTA	01/24-02/07	OP	V01
-----	-------	-----	------------	------	---------	-------------	----	-----

Class Sessions meet three times per semester: 1/24/20, 1/31/20, 2/7/20.
You must be hired as an LPC peer tutor before registering for this class.

TUTR 17B TUTORING THEORY & PRACTICE II 0.5 Units
 Intermediate training class for college tutors. Tutors will acquire specific skills and techniques for tutoring in academic subjects, vocational subjects and basic skills. Required course for second semester tutors participating in the Las Positas College Tutorial Program.

Prerequisite: TUTR 17A with a minimum grade of C

Day	31737	Fri	12:00-3:00	2401	TSUBOTA	01/17-02/21	OP	V01
-----	-------	-----	------------	------	---------	-------------	----	-----

Class sessions meet three times per semester: 1/17/20, 1/31/20, 2/12/20.

TUTR 17C TUTORING THEORY & PRACTICE III 0.5 Units
 Advanced training for college tutors to obtain skills and techniques in academic and vocational subject areas and basic skills remediation. Emphasis upon leading group tutoring sessions and mentoring new tutors. Required course for third semester tutors participating in the Las Positas College Tutorial Program.

Prerequisite: TUTR 17B with a minimum grade of C

Day	31738	Lab	Fri	12:00-3:00	2401	TSUBOTA	01/17-02/21	OP	V01
-----	-------	-----	-----	------------	------	---------	-------------	----	-----

Class sessions meet three times per semester: 1/17/20, 1/31/20, 2/12/20.

VITICULTURE AND WINERY

VWT 32 SPRING VINEYARD OPERATIONS 3.0 Units

This class has a strong emphasis on the practical applications of viticulture. Students will be involved in the operation of the LPC Campus Hill Vineyard putting into action viticultural practices for the spring season including pruning, canopy management techniques, new vine planting and training, vine nutrition, weed control, irrigation system construction and maintenance, trellis construction and maintenance, vineyard equipment operation and maintenance, with a continued focus on sustainable vineyard management.

Strongly Recommended: VWT 10 with a minimum grade of C

Students under the age of 21 must have a declared major in either viticulture and/or enology to participate in any tasting activities as stated in the California State Assembly Bill 1989.

Eve	31981	Lab	Th	5:00-7:50	1814	EVERETT	01/13-05/22	OP	093
			Th	8:00-9:50	1814		01/13-05/22	OP	

VWT 42 WINERY OPERATIONS 2 3.0 Units

This class has a strong emphasis on the practical applications of winery operations. Students will be involved in the on-going maintenance of wines produced from the annual LPC Campus Hill Vineyard harvest, putting into action winery operations for the spring season including winery equipment operation and safety, the handling and storage of new wines, barrel and tank monitoring, sensory and laboratory analysis, the planning, managing and implementation of bottling including blending trials, fining and filtering, label design and compliance, winery sanitation and record keeping. Students under the age of 21 must have a declared major in either viticulture and/or enology to participate in any tasting activities as stated in California State Assembly Bill 1989.

Strongly Recommended: VWT 20 with a minimum grade of C

Eve	32594	Lab	Wed	5:00-7:50	1814	EVERETT	01/13-05/22	OP	093
			Wed	8:00-9:50	1814		01/13-05/22	OP	

VWT 45 FOOD AND WINE PAIRING 2.0 Units

This course is an introduction to the art and science of food and wine pairing. Through lectures and formal tastings, students are instructed in the use of a sensory analysis model to identify components in food and wine that complement or contrast when initiating pairings. Students will participate in comprehensive palate exercises in which regional food preparations are paired with a broad spectrum of wines.

Students under the age of 21 must have a declared major of either viticulture and/or enology to participate in any tasting activities as stated in the California State Assembly Bill 1989.

Students enrolled in VWT 45 will be assessed a \$150 materials fee at registration.

Eve	32779	Tue		7:30-9:20	1814	EVERETT	01/13-05/22	OP	093
-----	-------	-----	--	-----------	------	---------	-------------	----	-----

VWT 47 WINE REGIONS/WINES OF CALIF 3.0 Units

Introduction to wines produced in California by region, including history, viticultural practices and winemaking styles. There is

D/E	CRN	DAYS	TIMES	ROOM	INSTRUCTOR	DATES	CODES	SEC	D/E	CRN	DAYS	TIMES	ROOM	INSTRUCTOR	DATES	CODES	SEC
-----	-----	------	-------	------	------------	-------	-------	-----	-----	-----	------	-------	------	------------	-------	-------	-----

a strong emphasis on the sensory evaluation of representative California wines. There is a materials fee associated with this class.

Students under the age of 21 must have a declared major of viticulture and/or enology to participate in any tasting activities as stated in the California State Assembly Bill 1989.

Students enrolled in VWT 55 will be assessed a \$150 materials fee at registration.

Eve	33507	Mon	6:00-8:50	1814	EVERETT	01/13-05/22	OP	093
-----	-------	-----	-----------	------	---------	-------------	----	-----

VWT 55 WINE SERVICE AND SALES 2.0 Units

This course will provide students with the information, skills, and abilities to provide high-quality wine service in restaurants, tasting rooms, wine bars, and/or catering events. Instruction will include both the technical and social skills necessary to maximize the guest experience and to be a successful wine sales/service professional.

Students under the age of 21 must have a declared major of either viticulture and/or enology to participate in any tasting activities as stated in the California State Assembly Bill 1989.

Students enrolled in VWT 55 will be assessed a \$150 materials fee at registration.

Eve	32593	Tue	5:00-6:50	1814	EVERETT	01/13-05/22	OP	093
-----	-------	-----	-----------	------	---------	-------------	----	-----

WELDING TECHNOLOGY

WLDT 10 MACHINING-METAL TRADES 3.0 Units

This course is intended to show how machine tools are used in the metal trades and manufacturing, as well as how machine tools operate and when to use one particular machine instead of another. The advantage and disadvantage of various machining techniques as well as their application in the fabrication process are explored. Students will learn the use of drawings, hand tools, precision measuring tools, drilling machines, grinders, lathes, milling machines, and other specialized tools used to shape and finish metal and nonmetal parts. Additive and subtractive manufacturing techniques as well as related processes are explored.

Day	32717	Lab Mon	1:30-4:20	810	MINER	01/13-05/22	OP	V01
		Lab Wed	12:30-3:20	810		01/13-05/22	OP	
		Mon	12:30-1:20	810		01/13-05/22	OP	

WLDT 55 PRINT READING FOR INDUSTRY 2.0 Units

Interpreting and visualizing drawings and prints used in industrial settings. The role of prints in the digital age, geometric dimensioning and tolerancing to current standards. Foundational skills needed for print reading success, including basic mathematics, geometry principles, measurement tools, and the design process. Welding symbols and their use in manufacturing.

Eve	32198	Mon	8:00-10:15	1602	MINER	01/13-05/22	GR	093
-----	-------	-----	------------	------	-------	-------------	----	-----

WLDT 61AL BEG. SMAW AND FCAW SKILLS LAB 2.0 Units

Skills of Shielded Metal Arc (SMAW) and Flux-Core Arc (FCAW) welding in the flat and horizontal positions to American Welding Society code specifications. Oxy-fuel flame, plasma, and carbon arc cutting. Safe use and handling of welding equipment and consumables.

Corequisite: WLDT 61A or WLDT 61B.

Students enrolled in WLDT 61AL LAB MUST ALSO be enrolled in WLDT 61B LECTURE.

Students enrolled in WLDT 61AL lab class will be assessed a \$70 materials fee at registration.

Day	30667	Lab Mon	4:30-6:45	810	STAFF	01/13-05/22	OP	V01
		Lab Wed	3:30-6:45	810		01/13-05/22	OP	

WLDT 61B ADV. SMAW AND FCAW THEORY 1.0 Units

Theory and safety of Stick (SMAW) and Flux-core Arc (FCAW) welding of steel, flame cutting, plasma and carbon arc cutting. American Welding Society nomenclature, electrode and wire selection, job opportunities. Blueprint reading, welding symbols for welders and hazardous material regulations.

Corequisite: WLDT 61AL or WLDT 61BL

Eve	30666	Mon	7:00-7:50	1602	MINER	01/13-05/22	OP	094
-----	-------	-----	-----------	------	-------	-------------	----	-----

WLDT 61BL ADV. SMAW AND FCAW SKILLS LAB 2.0 Units

Advanced skills in Shielded Metal Arc (SMAW) and Flux Cored Arc (FCAW) welding of steel in the horizontal, vertical and overhead positions to A.W.S. Codes. Safety and proper use of SMAW, FCAW, oxy-fuel cutting and plasma arc cutting equipment. Blueprint usage in the welding shop environment.

Prerequisite: WLDT 61AL completed with a minimum grade of C

Corequisite: WLDT 61A or WLDT 61B

Students enrolled in WLDT 61BL LAB MUST ALSO be enrolled in WLDT 61B LECTURE.

Students enrolled in WLDT 61BL will be assessed a \$70 materials fee at registration.

Day	30668	Lab Mon	4:30-6:45	810	STAFF	01/13-05/22	OP	V01
		Lab Wed	3:30-6:45	810		01/13-05/22	OP	

WLDT 62AL BEG. GTAW AND GMAW SKILLS LAB 2.0 Units

Skills of TIG (GTAW) and MIG (GMAW) welding of ferrous and non-ferrous alloys in the flat and horizontal positions to A.W.S. codes. Safety and proper use of TIG and MIG equipment, oxy-fuel welding and cutting, plasma cutting. Blueprint usage in welding shop environment.

Corequisite: WLDT 62A or WLDT 62B

Students enrolled in WLDT 62AL LAB MUST ALSO be enrolled in WLDT 62B LECTURE.

Students enrolled in WLDT 62AL will be assessed a \$75 materials fee at registration.

Eve	30555	Lab Tue	8:00-10:15	810	STAFF	01/13-05/22	OP	093
		Lab Th	7:00-10:15	810		01/13-05/22	OP	
Eve	30554	Lab Tue	4:30-6:45	810	STAFF	01/13-05/22	OP	094
		Lab Th	3:30-6:45	810		01/13-05/22	OP	

WLDT 62B ADV. GTAW AND GMAW THEORY 1.0 Units

Theory of fuel and inert gas welding of Non-Ferrous alloys, Oxy-Fuel welding, Oxy fuel brazing, flame cutting, and plasma cutting. Gas Tungsten Arc (GTAW) and Gas Metal Arc (GMAW) welding equipment and supplies. Nomenclature and metallurgy of Non-Ferrous alloys. Introduction to blueprint reading and welding symbols. Hazardous material regulations and safety data sheets.

Corequisite: WLDT 62AL or WLDT 62BL.

Students enrolled in WLDT 62B LECTURE MUST ALSO be enrolled in WLDT 62AL or 62BL LAB.

Eve	30563	Tue	7:00-7:50	1602	MINER	01/13-05/22	OP	093
-----	-------	-----	-----------	------	-------	-------------	----	-----

WLDT 62BL ADVANCED GTAW/GMAW WELDING 2.0 Units

Advanced skills in Gas Tungsten Arc (GTAW) and Gas Metal Arc (GMAW) welding of ferrous and non-ferrous alloys in the horizontal, vertical and overhead positions to A.W.S. codes. Safety and proper use of TIG and MIG equipment, oxy-fuel welding and cutting, plasma cutting. Blueprint usage in welding shop environment. Pipe and tubing fit-up and welding.

Prerequisite: WLDT 62AL with a minimum grade of C

Coresquisite: WLDT 62A or WLDT 62B

Students enrolled in WLDT 62BL LAB MUST ALSO be enrolled in WLDT 62B LECTURE.

Students enrolled in 62BL lab class will be assessed a \$75 materials fee at registration.

Eve	30556	Lab Tue	8:00-10:15	810	STAFF	01/13-05/22	OP	093
		Lab Th	7:00-10:15	810		01/13-05/22	OP	
Eve	30557	Lab Tue	4:30-6:45	810	STAFF	01/13-05/22	OP	094
		Lab Th	3:30-6:45	810		01/13-05/22	OP	

WLDT 63 WELDING LAYOUT AND FITTING 2.0 Units

Interpretation of welding blueprints by making welding layouts and weldment fitups. Current methods, practices, and recommended procedures. Use of jigs, fixtures, holding devices, and welding sequences. Methods of straightening and restoring dimensions to finished product. Laboratory includes SMAW, GMAW, GTAW, and FCAW welding, plasma and oxy-fuel cutting.

Strongly Recommended: WLDT 61BL or WLDT 62BL with a minimum grade of C

Day	32265	Tue	12:15-1:05	810	MINER	01/13-05/22	OP	V01
		Lab Tue	1:15-4:05	810		01/13-05/22	OP	

WLDT 67A WELDING SKILLS LAB 2.0 Units

Development and improvement of skills in Shielded Metal Arc (SMAW), Flux Cored Arc (FCAW), Gas Metal Arc (GMAW), and Gas Tungsten Arc (GTAW) welding.

Strongly Recommended: WLDT 61AL or WLDT 62AL or WLDT 70 or WLDT 71 with a minimum grade of C

Students enrolled in WLDT 67A lab class will be assessed a \$40 materials fee at registration.

Day	30558	Lab Mon	4:30-6:45	810	STAFF	01/13-05/22	OP	V01
		Lab Wed	3:30-6:45	810		01/13-05/22	OP	
Day	30774	Lab Tue	4:30-6:45	810	STAFF	01/13-05/22	OP	V02
		Lab Th	3:30-6:45	810		01/13-05/22	OP	
Eve	31463	Lab Tue	8:00-10:15	810	STAFF	01/13-05/22	OP	094
		Lab Th	7:00-10:15	810		01/13-05/22	OP	
Sat	30559	Lab Sat	9:00-3:10	810	STAFF	01/13-05/22	OP	WEI

WLDT 67B ADVANCED WELDING SKILLS LAB 2.0 Units

Advanced development and improvement of skills in Shielded Metal Arc (SMAW), Flux-core (FCAW), Gas Metal Arc (GMAW), and Gas Tungsten Arc (GTAW) welding.

Strongly Recommended: WLDT 67A with a minimum grade of C

Students enrolled in WLDT 67B will be assessed a \$40 materials fee at registration.

Day	30560	Lab Mon	4:30-6:45	810	STAFF	01/13-05/22	OP	V01
		Lab Wed	3:30-6:45	810		01/13-05/22	OP	
Day	30775	Lab Tue	4:30-6:45	810	STAFF	01/13-05/22	OP	V02
		Lab Th	3:30-6:45	810		01/13-05/22	OP	
Eve	31464	Lab Tue	8:00-10:15	810	STAFF	01/13-05/22	OP	094
		Lab Th	7:00-10:15	810		01/13-05/22	OP	

Sat	30561	Lab Sat	9:00-3:10	810	STAFF	01/13-05/22	OP	
-----	-------	---------	-----------	-----	-------	-------------	----	--

WLDT 68 CERTIFICATION PREPARATION 2.0 Units

Welding skills preparation for certification testing. Theory of American Welding Society D1.1, American Society of Mechanical Engineers Section IX and American Petroleum Institute 1104.

Strongly Recommended: WLDT 61AL or WLDT 61BL or WLDT 62AL or WLDT 62BL or WLDT 69A or WLDT 69B with a minimum grade of C

Students enrolled in WLDT 68 will be assessed a \$40 materials fee at registration.

Day	30562	Lab Mon	4:30-6:45	810	STAFF	01/13-05/22	OP	V01
		Lab Wed	3:30-6:45	810		01/13-05/22	OP	
Day	30669	Lab Tue	4:30-6:45	810	STAFF	01/13-05/22	OP	V02
		Lab Th	3:30-6:45	810		01/13-05/22	OP	
Eve	31465	Lab Tue	8:00-10:15	810	STAFF	01/13-05/22	OP	094
		Lab Th	7:00-10:15	810		01/13-05/22	OP	
Sat	31083	Lab Sat	9:00-3:10	810	STAFF	01/13-05/22	OP	WEI

WLDT 69A BEGINNING PIPE WELDING 3.0 Units

Theory and practical application of: pipe joint preparation and design, API (American Petroleum Institute) and AWS (American Welding Society) welding codes specification for pipe and pipe fittings, analysis of joint configuration, plasma and flame cutting of pipes, wire and electrodes selections, beginning of pipe welding blue print and welding symbols, SMAW, GMAW, FCAW, and GTAW of pipe joints, non-destructive and destructive test and qualitative concepts of evaluation. Welding in the 1G and 2G positions.

Prerequisite: WLDT 61BL or WLDT 62BL with a minimum grade of C

Students enrolled in WLDT 69A lab class will be assessed a \$100 materials fee at registration.

Sat	30581	Sat	8:00-8:50	810	STAFF	01/13-05/22	OP	WEI
		Lab Sat	9:00-3:10	810		01/13-05/22	OP	

WLDT 69B ADVANCED PIPE WELDING 3.0 Units

Theory and practical application of pipe joint preparation and design, API (American Petroleum Institute) and AWS (American Welding Society) welding codes specifications for pipe and pipe fittings, analysis of joint configuration, plasma and flame cutting of pipes, wire and electrodes selections, beginning of pipe welding blue print and welding symbols, SMAW, GMAW, FCAW and GTAW of pipe joints, non-destructive and destructive test and qualitative concepts of evaluation. Welding in the 5G and 6G positions.

Prerequisite: WLDT 69A completed with a minimum grade of C

Sat	30582	Sat	8:00-8:50	810	STAFF	01/13-05/22	OP	WEI
		Lab Sat	9:00-3:10	810		01/13-05/22	OP	

Students enrolled in WLDT 69B lab class will be assessed a \$100 materials fee at registration.

WLDT 70 INTRODUCTION TO WELDING 2.0 Units

Basic skills in Shielded Metal Arc (SMAW), Gas Tungsten Arc (GTAW), Gas Metal Arc (GTAW) and Flux Core Arc (FCAW) welding. Oxy-fuel welding and thermal cutting. Emphasis on safety, proper usage, theory and care of welding equipment.

Students enrolled in WLDT 70 lab class will be assessed a \$60 materials fee at registration.

Eve	32718	Mon	3:30-4:20	*	STAFF	01/13-05/22	OP	093
		Lab Mon	4:30-5:20	*		01/13-05/22	OP	
		Lab Wed	3:30-5:20	*		01/13-05/22	OP	

*offsite room meets at LIVERMORE HIGH SCHOOL
600 MAPLE ST, LIVERMORE, CA.

WLDT 72A BEGINNING LASER WELDING 2.0 Units

This course will cover the theory and concepts associated with modern laser welding of metals and materials. The use of the laser in the manufacturing environment will be shown along with typical applications. The different types of lasers available for welding. The advantages and disadvantages of continuous power laser welding and pulsed laser welding.

Strongly Recommended: MATH 71 or MATH 71A and/or MATH 71B with a minimum grade of C

Eve	33578	Th	6:00-7:50	1602	STAFF	01/13-05/22	OP	093
-----	-------	----	-----------	------	-------	-------------	----	-----

- On-Campus Orientation on Monday, January 27, 6:00-6:50PM in Room PE209;
- On-Campus Orientation on Tuesday, January 28, 6:00-6:50PM in Room PE209; or
- Online Live Orientation on Thursday, January 30, 7:00-7:50PM in the course on Canvas.

WRKX 95 GENERAL WORK EXPERIENCE 1.0-6.0 Units

This course of supervised employment provides students with the opportunity to earn college credit while working and developing desirable work habits, attitudes, and skills. Students working in any part-time or full-time, paid or unpaid position will contract, in collaboration with their work supervisor and instructor, to set measurable, achievable goals; accomplish new or expanded learning objectives; and broaden work skills and experiences. The work experience need not be related to the students' educational goals. Students can earn .5 to 6 units per semester for a maximum of 16 units of Cooperative Work Experience, which includes General Work Experience and Occupational Work Experience/Internship. Students must work 75 paid hours or 60 unpaid hours per unit earned during the semester.

To enroll in the correct section, you need to determine the number of units you will earn during the semester. Units are based on the number of hours worked per semester. To determine your units, please refer to the Units/Hours/Section chart on the right:

Web 32677	ONLINE	LAUFFER	01/27-05/22	OP	L01
Web 33087	ONLINE	LAUFFER	01/27-05/22	OP	L02
Web 33089	ONLINE	LAUFFER	01/27-05/22	OP	L03
Web 33090	ONLINE	LAUFFER	01/27-05/22	OP	L04
Web 33088	ONLINE	LAUFFER	01/27-05/22	OP	L05
Web 33091	ONLINE	LAUFFER	01/27-05/22	OP	L06

The WRKX 95 courses above are Late Start sections that require internet access. Students must already have employment or unpaid work. WRKX units earned are based on hours worked during the semester.

Students are required to attend one orientation and can choose from the following three options:

- On-Campus Orientation on Monday, January 27, 6:00-6:50PM in Room PE209;
- On-Campus Orientation on Tuesday, January 28, 6:00-6:50PM in Room PE209; or
- Online Live Orientation on Thursday, January 30, 7:00-7:50PM in the course on Canvas.

WOMENS STUDIES

WMST 2 GLOBAL PERSPECTIVE OF WOMEN 3.0 Units

Examines the cultural, historical, political and economic experiences of women globally. Introduces feminist perspectives on a wide range of issues affecting women including globalization, war, education, work, family and religion in Asia, Africa, the Middle East and Latin America.

Day	31155	TTh	12:30-1:45	2490	BENGIVENO	01/13-05/22	OP	V01
-----	-------	-----	------------	------	-----------	-------------	----	-----

WORK EXPERIENCE

WRKX 94 OCCUPATIONAL WORK EXP/INTERN. 1.0-8.0 Units

This course of supervised employment provides students with the opportunity to earn college credit for developing marketable skills while working in their major field of study. Students working in a part-time or full-time, paid or unpaid internship or position related to their major field of study will contract, in collaboration with their work supervisor and instructor, to set measurable, achievable goals; accomplish new or expanded learning objectives; and broaden work skills and experiences. Students will apply discipline-specific knowledge, skills, and abilities gained in the classroom. Students can earn .5 to 8 units per semester for a maximum of 16 units of Cooperative Work Experience, which includes General Work Experience and Occupational Work Experience/Internship. Students must work 75 paid hours or 60 unpaid hours per unit earned during the semester.

To enroll in the correct section, you need to determine the number of units you will earn during the semester. Units are based on the number of hours worked per semester. To determine your units, please refer to the Units/Hours/Section chart on the right:

Web 33080	ONLINE	LAUFFER	01/27-05/22	OP	L01
Web 33081	ONLINE	LAUFFER	01/27-05/22	OP	L02
Web 33082	ONLINE	LAUFFER	01/27-05/22	OP	L03
Web 33083	ONLINE	LAUFFER	01/27-05/22	OP	L04
Web 33084	ONLINE	LAUFFER	01/27-05/22	OP	L05
Web 33085	ONLINE	LAUFFER	01/27-05/22	OP	L06
Web 33086	ONLINE	LAUFFER	01/27-05/22	OP	L07
Web 33114	ONLINE	LAUFFER	01/27-05/22	OP	L08

The WRKX 94 sections above are Late Start sections that require internet access. Students must already have employment or unpaid work. WRKX units earned are based on hours worked during the semester.

Students are required to attend one orientation and can choose from the following three options:

Units/Hours/Section Chart

for Each Semester or Summer Term

Units	Total Hours Paid	Total Hours Unpaid	Section
1 UNIT	75	60	LO1
2 UNITS	150	120	LO2
3 UNITS	225	180	LO3
4 UNITS	300	240	LO4
5 UNITS	375	300	LO5
6 UNITS	450	360	LO6
7 UNITS**	525	420	LO7
8 UNITS**	600	480	LO8

**Applicable to WRKX 94 only. The semester/term unit limit for WRKX 94 is 8 units. The semester/term unit limit for WRKX 95 is 6 units.

For information, please visit the WRKX website at <http://www.laspositascollege.edu/workexperience/index.php> or contact Instructor Mary Lauffer at mлаuffer@laspositascollege.edu.

MATH COURSE PATHWAYS LAS POSITAS COLLEGE

LIBERAL ARTS PATHWAY TO TRANSFER

Choose 1 course in yellow

Optional
Math 50 or NMAT 250
Intermediate Algebra
for SLAM², 4 units
OR
Math 55 or NMAT 255
Intermediate Algebra
for BSTEM¹, 5 units

Math 40 UC/CSU 4 units
Intro Probability and Statistics

Math 47 UC/CSU 3 units
Math for Liberal Arts

Math 33 UC/CSU 4 units
Finite Mathematics

BUSINESS & STEM¹ PATHWAY TO TRANSFER

Optional
Math 55 or NMAT 255
Intermediate Algebra for BSTEM¹, 5 units

Math 34 UC/CSU
Calculus for
Business & Social
Sciences, 5 units

Math 30 UC/CSU
College Algebra
STEM, 4 units

AND³

Math 39 CSU
Trigonometry,
4 units

³ Math 30 & Math 39 can be taken in any order or together.
Suggested order: Math 30 is taken first.

Math 1 UC/CSU
Calculus I, 5 units

Students can place in Math 1 via:
1. HSGPA ≥ 3.0 AND HS Pre-calculus/College Algebra, or
2. HS Calculus with A,B,C, or
3. Pass Math 30 and Math 39.

Math 2 UC/CSU
Calculus II, 5 units

Math 10⁴ UC/CSU
Discrete Mathematics,
4 units

⁴ Math 10 prerequisites are:
Math 1
and
CS 1.

Math 3 UC/CSU
Multivariable Calculus,
5 units

Math 7 UC/CSU
Elementary Linear Algebra,
3.5 units

Math 5 UC/CSU, 3.5 units
Ordinary Differential Equations

ASSOCIATE DEGREE PATHWAY

Math 50 or NMAT 250*
Intermediate Algebra
for SLAM², 4 units
OR
Math 55 or NMAT 255*
Intermediate Algebra
for BSTEM¹, 5 units

OR

LIBERAL ARTS Courses
Math 40, Math 47 or Math 33

OR

Business & STEM Courses
Math 30, Math 39 or Math 34

^{*}NMAT 250/255 students can petition to get credit by examination.

SUPPORT OPTIONS

Math Jam

Award winning & tuition-free! Offered the week *before* the Fall and Spring semesters. Innovative learning interventions help you prepare for upcoming mathematic courses. Proven to increase student success and retention rates!

Concurrent Support

NEW! Jam all semester with RECOMMENDED support *during* the semester. Offered for credit or tuition-free (noncredit). Aligned with your math course and designed with innovative strategies to provide math and learning support.

Automotive and Welding Technical Pathway

Technical Pathway to Associate's Degree

7 unit sequence to complete in two semesters.
Satisfies the mathematics requirement for an AS degree.

Welding Certificate Pathway

4 unit sequence to complete in 1 or 2 semesters.
Satisfies the mathematics requirement for a Welding Certificate.

Offered only in Emporium Mode. Emporium classes are designed to provide maximum flexibility and support with contextualized material. Self-accelerate through the material at a pace that is right for you. To learn more, visit www.laspositascollege.edu/mathemporium

FOUNDATIONAL MATH

Solidify your math understanding prior to Intermediate Algebra or transfer-level. We offer credit and tuition-free (noncredit) foundational and associate degree level math courses to meet your learning needs.

Math 110 or NMAT 210
Elementary Algebra, 4 units

Math 107 or NMAT 207
Prealgebra, 4 units

¹BSTEM = Business, Science, Technology, Engineering and Mathematics

²SLAM = Statistics and Liberal Arts Mathematics

BSTEM Transfer Level Math Courses

SLAM Transfer Level Math Courses

Associate Degree Level Math Courses

Foundational Math Courses

CSU = Transferable to CSU

UC = Transferable to UC

Transfer limitations to UC apply: Maximum credit for one series (Math 1 and 2; or Math 33 and Math 34)

For more information about pathway and support options that are right for you, visit:

www.LasPositasCollege.edu/Math

Mathematics Support Designed for YOU

Achieve your goals efficiently and successfully with
NEW pathways and support options at LPC!

Beginning Fall 2019, students are encouraged to enroll directly into a transfer-level course. Students should consider their academic goal, past achievements and experiences, and take advantage of the many resources available to support them at LPC.

At Las Positas, we are dedicated to providing you with the best academic opportunities so you can achieve your learning goals. Learning Math takes time and dedication. In college, you are expected to spend 10 to 15 hours each week studying, doing homework, and reviewing outside of class in order to be successful!

We want to make sure your precious time is *streamlined* and *productive*.

Las Positas College offers support courses that can be taken tuition-free or for credit, depending on your personal needs.

Enroll with Confidence! Choose one or more.

MATH JAM BOOTCAMP COURSES

Award-winning, 1-week before the semester starts, & tuition-free!

Offered the week before the Fall and Spring semesters. Innovative learning interventions help you prepare for upcoming mathematics courses. Proven to increase student success and retention rates!

NMAT 261

Math Jam for Prealgebra

NMAT 262

Math Jam for Elementary Algebra

NMAT 263

Math Jam for Intermediate Algebra

NMAT 264

Math Jam for SLAM (Statistics, Liberal Arts Math)

NMAT 265

Math Jam for BSTEM (Business Calculus, College Algebra, and Trigonometry)

MATH 66* 1 unit

Math Jam for Calculus (Calculus I, II & III)

*Offered for credit only



CONCURRENT SUPPORT COURSES

NEW! Jam all semester long with RECOMMENDED support during the semester.

Offered for credit or tuition-free (noncredit). Aligned with your math course and designed with innovative strategies to provide math and learning support while taking your math class.

NMAT 200C or MATH 100C
 Concurrent Support for SLAM (Statistics, Liberal Arts Math)

NMAT 201C or MATH 101C
 Concurrent Support for BSTEM (Business Calculus, College Algebra, and Trigonometry)

MATH 66C* 1 unit
 Concurrent Support for Calculus I, II and III
 * Offered for credit only

NMAT 255C or MATH 55C
 Concurrent Support for Intermediate Algebra

NMAT 210C or MATH 110C
 Concurrent Support for Elementary Algebra

FOUNDATIONAL and ASSOCIATE'S DEGREE LEVEL COURSES

Solidify your math understanding *prior* to Intermediate Algebra or transfer-level. We offer credit and tuition-free (noncredit) foundational and associate degree level math courses to meet your learning needs.

Math 55 (5 units)
 or
NMAT 250
 Intermediate Algebra for BSTEM (Business and STEM Fields)

Math 50 (4 units)
 or
NMAT 250
 Intermediate Algebra for SLAM (Statistics, Liberal Arts Math)

Math 110 (4 units)
 or
NMAT 210
 Elementary Algebra

Math 107 (4 units)
 or
NMAT 207
 Prealgebra

* **NMAT** courses are **tuition-free, noncredit** courses and may be repeated. **NMAT 250/255** students can petition to get credit by examination.

ONLINE LEARNING

GETTING STARTED WITH ONLINE COURSES

WHAT IS AN ONLINE COURSE?

An online course is a course that is conducted over the Internet. Las Positas uses the Canvas course management system to deliver its online courses. Canvas allows students to communicate, collaborate, and complete coursework – all within a secure environment.

ARE THERE OPTIONAL ORIENTATIONS?

Yes.

For Spring: Jan 8 from 12-1:30pm ONLINE
 Jan 9 from 1-2:30pm in Room 2410.

No registration needed. Orientations are not course-specific. See the LPC Online Learning website for more information.

HOW DO ONLINE COURSES WORK?

Class sessions, course materials, and exercises are accessible any time and any day convenient to you. All of your coursework, including discussions, groupwork, and writing assignments, is done electronically. Simply log into your course through a web browser, and you're in class. Most of these classes are not self-paced, so you'll be required to adhere to due dates for assignments, quizzes, tests, etc.

HOW DO I KNOW IF I'M READY TO TAKE ONE?

Here are qualities that successful online students possess:

- Independent learner
- Self-motivated
- Good time-management skills
- Disciplined
- Daily access to a computer with an Internet connection
- Comfortable using a web browser and uploading/downloading files to/from the Internet
- Comfortable sending and opening attachments
- Comfortable using word-processing programs

If you don't possess these qualities, you might want to take an on-campus course instead. If you are unsure about your qualities, contact a counselor.

HOW CAN I PREPARE FOR MY FIRST ONLINE COURSE?

If you are registered for an online course, you will be emailed information on how to self-enroll into an optional course called Quest for Online Success. If you feel more comfortable attending an orientation in person, come to campus for an optional orientation offered by LPC staff.

WILL I HAVE A COLLEGE EMAIL ADDRESS?

Yes. Your college email, or Zonemail, address will be the default used in Canvas. However, you can set up automatic forwarding in Zonemail to your private account, or you can change your default address in CLASS-Web. Go to the LPC Online Learning website to learn more about Zonemail.

ARE ONLINE COURSES EASIER THAN ON-CAMPUS COURSES?

No. Although they cover the same content, they require at least as much time as on-campus courses. Typically, successful students report spending more time, not less, in an online course.

WHAT ARE THE TECHNICAL REQUIREMENTS?

Chrome is the preferred browser for Canvas. However, make sure you have multiple browsers installed because if something doesn't work in one browser, it should work in the other. For other tech requirements, go to the LPC Online Learning web site.

IS THERE ANY TECHNICAL SUPPORT FOR STUDENTS?

Yes. For Canvas support, you can fill out a web form, call, email, or walk into the Computer Center in Room 803 on campus for technical support. Computer Center hours are posted on the LPC Online Learning website, along with the aforementioned methods of communication. If you need assistance when the Computer Center is closed, you can call Canvas directly at 1-844-600-4956.

IS THERE ANY ACADEMIC SUPPORT FOR STUDENTS?

Yes. LPC offers online counseling and online tutoring for all LPC students. Information about online counseling and online tutoring is available on the LPC Online Learning website.

IF I BEGIN THE COURSE LATE, CAN AN INSTRUCTOR DROP ME?

Yes. The instructor may drop students who miss the first meeting of a course. The first meeting of online or hybrid Distance Education courses is the first day of the class as specified in the class schedule listing. For these courses, instructors may drop students who do not log into their Canvas course and/or complete indicated activities by the third day of classes. DE instructors may drop students if they have not submitted work and/or accessed the class for two consecutive weeks.

For Summer courses, DE instructors may drop students if they have not submitted work and/or accessed the class for one week.

HOW DO I GET STARTED WITH AN ONLINE COURSE?

Step 1: Register via CLASS-Web by going to <http://banner-web.clpccd.cc.ca.us:700>.

Step 2: On the first day of class, log into Canvas by following the instructions on the LPC Online Learning website at:

<http://www.laspositacollege.edu/onlinelearning>

ONLINE LEARNING

SPRING 2020 ONLINE COURSES

CRN	COURSE	SEC	DESCRIPTION	UNITS	CRN	COURSE	SEC	DESCRIPTION	UNITS
30797	ANTR 1	DE1	Biological Anthropology	3.0	33567	ECE 50	DE2	Early Childhood Principles	3.0
32979	ANTR 1	DE2	Biological Anthropology	3.0	32728	ECE 56	DE1	Child Growth and Development	3.0
30803	ANTR 2	DE1	Introduction to Archaeology	3.0	32731	ECE 62	DE1	Child, Family and Community	3.0
33556	ANTR 3	DE1	Cultural Anthropology	3.0	33478	ECE 83	DE1	Adult Mentoring and Supervision	2.0
32496	ASTR 10	DE1	The Solar System	3.0	30391	ECON 1	DE1	Principles of Microeconomics	3.0
32242	ASTR 20	DE1	Stars and the Universe	3.0	30279	ECON 1	DE2	Principles of Microeconomics	3.0
31661	BIO 40	DE1	Humans and the Environment	3.0	31750	ECON 1	DE3	Principles of Microeconomics	3.0
30360	BUSN 18	DE1	Business Law	4.0	30467	ECON 2	DE1	Principles of Macroeconomics	3.0
31348	BUSN 1A	DE1	Financial Accounting	4.0	31359	ECON 2	DE2	Principles of Macroeconomics	3.0
31636	BUSN 1B	DE1	Managerial Accounting	4.0	30394	ENG 1A	DE1	Critical Reading and Comp	3.0
31637	BUSN 30	DE1	Business Ethics and Society	3.0	30490	ENG 1A	DE2	Critical Reading and Comp	3.0
30229	BUSN 40	DE1	Introduction to Business	3.0	31781	ENG 1A	DE3	Critical Reading and Comp	3.0
30574	BUSN 48	DE1	Human Relations in Org.	3.0	31937	ENG 1A	DE4	Critical Reading and Comp	3.0
31988	BUSN 52	DE1	Business Communications	3.0	31938	ENG 1A	DE5	Critical Reading and Comp	3.0
31160	BUSN 53	DE1	Business Correspondence	3.0	31363	ENG 1A	DE6	Critical Reading and Comp	3.0
32093	BUSN 55	DE1	Business Mathematics	3.0	32234	ENG 1A	DE7	Critical Reading and Comp	3.0
30571	BUSN 56	DE1	Introduction to Management	3.0	31798	ENG 4	DE1	Critical Thinking/Writing Lit	3.0
31893	BUSN 58	DE1	Small Business Management	3.0	31799	ENG 4	DE2	Critical Thinking/Writing Lit	3.0
30598	BUSN 61	DE1	Quickbooks Accounting	1.5	31747	ENG 4	DE3	Critical Thinking/Writing Lit	3.0
30597	BUSN 88	DE1	Human Resources Management	3.0	31785	ENG 4	DE4	Critical Thinking/Writing Lit	3.0
30348	CIS 43	DE1	Professional Communications	3.0	32524	ENG 4	DE5	Critical Thinking/Writing Lit	3.0
30130	CIS 50	DE1	Intro to Computing Info Tech	3.0	30239	ENG 7	DE1	Critical Thinking/Writing	3.0
30170	CIS 50	DE2	Intro to Computing Info Tech	3.0	31006	ENG 7	DE2	Critical Thinking/Writing	3.0
30658	CIS 54	DE1	Excel: Intro to Spreadsheets	4.0	31939	ENG 7	DE3	Critical Thinking/Writing	3.0
30818	CIS 54	DE2	Excel: Intro to Spreadsheets	4.0	32133	ENG 7	DE4	Critical Thinking/Writing	3.0
30231	CIS 55	DE1	Integrating Office Application	4.0	32564	ENG 7	DE5	Critical Thinking/Writing	3.0
30472	CIS 57	DE1	Database Concepts	3.0	30588	GEOG 1	DE1	Intro to Physical Geography	3.0
32685	CIS 66	DE1	Networking Fundamentals	3.0	31357	GEOG 1	DE2	Intro to Physical Geography	3.0
32141	CIS 74	DE1	Office Procedures	3.0	30377	GEOL 1	DE1	Physical Geology	3.0
30660	CIS 79	DE1	Medical Office Procedure	3.0	30823	HIST 1	DE1	Western Civilization to 1600	3.0
32110	CMST 1	DE1	Fundament. of Public Speaking	3.0	31967	HIST 14	DE1	American Cultures of Cali	3.0
32111	CMST 1	DE2	Fundament. of Public Speaking	3.0	31157	HIST 2	DE1	Western Civilization Since 1600	3.0
32113	CMST 1	DE3	Fundament. of Public Speaking	3.0	32365	HIST 2	DE2	Western Civilization Since 1600	3.0
32502	CMST 10	DE1	Interpersonal Communication	3.0	30270	HIST 7	DE1	US Hist. Through Reconstruction	3.0
32503	CMST 46	DE1	Argumentation and Debate	3.0	30514	HIST 7	DE2	US Hist. Through Reconstruction	3.0
30347	CNT 43	DE1	Professional Communications	3.0	32144	HIST 7	DE3	US Hist. Through Reconstruction	3.0
32723	CNT 51	DE1	CompTIA'S A+ Cert. Comp. Tech	4.0	30177	HIST 8	DE1	US History Post-Reconstruct	3.0
32686	CNT 52	DE1	Networking Fundamentals	3.0	30515	HIST 8	DE2	US History Post-Reconstruct	3.0
32186	CNT 55	DE1	MCSA-I Windows Server	3.0	32976	HIST 8	DE3	US History Post-Reconstruct	3.0
32586	CNT 69	DE1	Network Security; CompTIA	3.0	33521	HIST 8	DE4	US History Post-Reconstruct	3.0
30346	CS 43	DE1	Professional Communications	3.0	30113	HLTH 1	DE1	Intro to Personal Health	3.0
32726	ECE 50	DE1	Early Childhood Principles	3.0	30201	HLTH 1	DE2	Intro to Personal Health	3.0

See the main body of this schedule for course descriptions, prerequisite information, and any other pertinent information. The courses listed above are subject to change. Check the Online Learning website at <http://www.laspositascollege.edu/onlinelearning> for up-to-date information.

ONLINE LEARNING

SPRING 2020 ONLINE COURSES (cont'd)

CRN	COURSE	SEC	DESCRIPTION	UNITS
30223	HLTH 1	DE3	Intro to Personal Health	3.0
33480	HLTH 1	DE4	Intro to Personal Health	3.0
32210	HUMN 10	DE1	American Arts and Ideas	3.0
30164	HUMN 28	DE1	World Mythology	3.0
30807	KIN 24	DE1	Sport Psychology	3.0
30573	MKTG 50	DE1	Introduction to Marketing	3.0
32674	MKTG 56	DE1	Marketing Strategies	3.0
31028	MSCM 31	DE1	Introduction to Media	3.0
32199	MUS 3	DE1	World Music	3.0
33572	MUS 3	DE2	World Music	3.0
32695	MUS 37	DE1	Music Industry Career Dev.	3.0
30392	MUS 5	DE1	American Cultures in Music	3.0
31970	MUS 5	DE2	American Cultures in Music	3.0
33574	MUS 5	DE3	American Cultures in Music	3.0
31455	NUTR 1	DE1	Nutrition	3.0
31929	NUTR 1	DE2	Nutrition	3.0
33488	NUTR 1	DE3	Nutrition	3.0
32095	PCN 10	DE1	Career and Educ. Planning	2.0
32098	PCN 13	DE1	Multicultural Issues: America	3.0
33493	PCN 5	DE1	Intro. Social Wk & Human Serv.	3.0
30280	PHIL 1	DE1	God, Nature, Human Nature	3.0
30304	PHIL 1	DE2	God, Nature, Human Nature	3.0
30363	PHIL 2	DE1	Ethics	3.0
32512	PHIL 2	DE2	Ethics	3.0
30651	POLI 7	DE1	Intro to American Government	4.0
31949	POLI 7	DE2	Intro to American Government	4.0
30226	PSYC 1	DE1	General Psychology	3.0
30595	PSYC 1	DE2	General Psychology	3.0
30349	PSYC 1	DE3	General Psychology	3.0
31748	PSYC 1	DE4	General Psychology	3.0
31677	PSYC 12	DE1	Life-Span Psychology	3.0
31862	PSYC 12	DE2	Life-Span Psychology	3.0
31675	PSYC 3	DE1	Intro. to Social Psychology	3.0
30580	PSYC 4	DE1	Brain, Mind, and Behavior	3.0
31861	PSYC 6	DE1	Abnormal Psychology	3.0
32362	PSYC 6	DE2	Abnormal Psychology	3.0
30114	RELS 1	DE1	Religions of the World	3.0
33532	RELS 1	DE2	Religions of the World	3.0
30234	SOC 1	DE1	Principles of Sociology	3.0
30591	SOC 1	DE2	Principles of Sociology	3.0
32057	SOC 13	DE1	RESEARCH METHODS	4.0

CRN	COURSE	SEC	DESCRIPTION	UNITS
30536	SOC 3	DE1	Cultural and Racial Minorities	3.0
31965	SOC 3	DE2	Cultural and Racial Minorities	3.0
33517	SOC 7	DE1	Sociology of Sexuality	3.0
32778	THEA 10	DE1	Introduction to Dramatic Arts	3.0
33329	THEA 4	DE1	Modern American Theater	3.0

Late Start (Jan 27 - May 22)

30134	CIS 71A	L01	Keyboarding (The Alphabet)	1.0
30135	CIS 71B	L01	Keyboard (Numbers and Symbols)	1.0
30136	CIS 71C	L01	Skills Improvement	1.0
33080	WRKX 94	L01	Occupational Work Exp/Intern.	1.0
33081	WRKX 94	L02	Occupational Work Exp/Intern.	2.0
33082	WRKX 94	L03	Occupational Work Exp/Intern.	3.0
33083	WRKX 94	L04	Occupational Work Exp/Intern.	4.0
33084	WRKX 94	L05	Occupational Work Exp/Intern.	5.0
33085	WRKX 94	L06	Occupational Work Exp/Intern.	6.0
33086	WRKX 94	L07	Occupational Work Exp/Intern.	7.0
33114	WRKX 94	L08	Occupational Work Exp/Intern.	8.0
32677	WRKX 95	L01	General Work Experience	1.0
33087	WRKX 95	L02	General Work Experience	2.0
33089	WRKX 95	L03	General Work Experience	3.0
33090	WRKX 95	L04	General Work Experience	4.0
33088	WRKX 95	L05	General Work Experience	5.0
33091	WRKX 95	L06	General Work Experience	6.0

Fast Track 1 (Jan 13 - Mar 13)

33524	CIS 81A	DE1	Intro to Cloud Computing	3.0
30357	CIS 88A	DE1	Introduction to Microsoft Word	1.5
30083	GEOL 12	DE1	Introduction to Oceanography	3.0
32151	RELS 1	DE3	Religions of the World	3.0

Fast Track 2 (Mar 16 - May 15)

31430	BUSN 40	L01	Introduction to Business	3.0
33525	CIS 81A	L02	Intro to Cloud Computing	3.0
30358	CIS 88B	L01	Adv Microsoft Word	1.5
30359	CIS 89A	L01	Desktop Presentation	1.0
32099	PCN 13	L01	Multicultural Issues: America	3.0
32270	PCN 18	L01	University Transfer Planning	1.0
32574	PCN 30	L01	Student Success:College Exp.	3.0
32212	RELS 1	L01	Religions of the World	3.0

See the main body of this schedule for course descriptions, prerequisite information, and any other pertinent information. The courses listed above are subject to change. Check the Online Learning website at <http://www.laspositascollege.edu/onlinelearning> for up-to date information.

ONLINE LEARNING

GETTING STARTED WITH HYBRID COURSES

WHAT IS A HYBRID COURSE?

A hybrid course is a combination of an on-campus and an online course. If you prefer to learn in a traditional classroom setting but also want the flexibility offered by online courses, you might want to enroll in a hybrid course. You'll come to campus for some of the class meetings, and you'll go online for the others.

WHAT WOULD I BE DOING IN THE ONLINE PORTION?

Some of the online activities that your instructor can require are group work, class discussions, research on the Internet, quizzes, and exams.

HOW CAN I SUCCEED IN A HYBRID?

To succeed in a hybrid course, you will need to take responsibility for your own learning. This includes developing time management skills for online learning

and being comfortable with technology, particularly the Internet. Much of the information on the previous pages about online courses apply to hybrids.

HOW DO I GET STARTED WITH A HYBRID COURSE?

1. Register via CLASS-Web.
2. Check this schedule to see when your class meets on campus. At the first meeting, your instructor will discuss the online portion of the class.
3. Once your instructor makes your course available, log into Canvas by following the instructions on the LPC Online Learning web site.

<http://www.laspositacollege.edu/onlinelearning>

SPRING 2020 HYBRID COURSES

D/E	CRN	COURSE	SEC	DESCRIPTION	DAYS	TIMES	UNITS
Day	30016	CIS 50	HY1	Intro to Computing Info Tech	MW	9:30-10:45	+ONLINE 3.0
Day	30017	CIS 50	HY2	Intro to Computing Info Tech	TTh	12:30-1:45	+ONLINE 3.0
Web	31895	CIS 62	HD1	Project Management	BY ARR		+ONLINE 3.0
Day	30583	CNT 7501	HY1	Ethical Hacking	M	3:30-5:45	+ONLINE 3.0
Day	31094	ENG 19A	HD1	Journal of Arts and Writing A	MW	11:00-11:50	+ONLINE 3.0
Day	31109	ENG 19B	HD1	Journal of Arts and Writing B	MW	11:00-11:50	+ONLINE 3.0
Day	33323	GEOL 2	HY1	Historical Geology with Lab	T	2:00-4:50	+ONLINE 4.0
Day	32722	KIN 6	HD1	Personal Trainer	Th	12:30-1:45	+ONLINE 3.5
Web	31421	KIN PF	HD1	Personal Fitness	BY ARR		+ONLINE 1.0
Web	31678	KIN PF	HD2	Personal Fitness	BY ARR		+ONLINE 1.0
Web	33421	MATH 34	HD1	Calc for Bus and Soc Sciences	BY ARR		+ONLINE 5.0
Web	33422	MATH 34	HD2	Calc for Bus and Soc Sciences	BY ARR		+ONLINE 5.0
Day	31411	MATH 40	HD1	Statistics and Probability	F	2:00-3:50	+ONLINE 4.0
Day	32150	MATH 40	HD2	Statistics and Probability	F	2:00-3:50	+ONLINE 4.0
Day	33458	MATH 40	HD3	Statistics and Probability	T	10:00-11:50	+ONLINE 4.0
Day	33593	MATH 40	HD4	Statistics and Probability	F	10:00-11:50	+ONLINE 4.0

See the main body of this schedule for course descriptions, prerequisite information, and any other pertinent information. The courses listed above are subject to change. Check the Online Learning website at <http://www.laspositacollege.edu/onlinelearning> for up-to date information.

ONLINE LEARNING

SPRING 2020 HYBRID COURSES (cont'd)

D/E	CRN	COURSE	SEC	DESCRIPTION	DAYS	TIMES	UNITS
Day	31095	MSCM 19A	HD1	Journal of Arts and Writing A	MW	11:00-11:50	+ONLINE 3.0
Day	31110	MSCM 19B	HD1	Journal of Arts and Writing B	MW	11:00-11:50	+ONLINE 3.0
Day	33267	MSCM 5	HY1	Intro to Mass Communications	T	2:00-3:30	+ONLINE 3.0
Day	32158	MUS 19	HY1	Studies in Music Composition	W	1:00-3:50	+ONLINE 3.0
Day	33486	NUTR 1	HY1	Nutrition	TTh	3:30-4:45	+ONLINE 3.0
Day	32154	PCN 30	HY1	Student Success:College Exp	W	9:30-10:45	+ONLINE 3.0
Day	33515	SOC 1	HY1	Principles of Sociology	W	12:30-1:45	+ONLINE 3.0
Day	33516	SOC 3	HY1	Cultural and Racial Minorities	M	12:30-1:45	+ONLINE 3.0
Eve	30290	CIS 54	HY1	Excel: Intro to Spreadsheets	T	6:30-9:20	+ONLINE 4.0
Web	30819	CIS 59C	HY1	Web Programming - JavaScript	Th	6:30-8:50	+ONLINE 3.0
Eve	30121	CIS 66	HY1	Networking Fundamentals	W	6:00-8:50	+ONLINE 3.0
Eve	31688	CNT 51	HY1	CompTIA'S A+ Cert. Comp. Tech	T	6:00-8:50	+ONLINE 4.0
Eve	30271	CNT 52	HY1	Networking Fundamentals	W	6:00-8:50	+ONLINE 3.0
Eve	32585	CNT 57	HY1	MSCA III Identity Windows Serv	Th	6:00-8:15	+ONLINE 3.0
Eve	32075	CNT 7401	HY1	Intro.to Linux/LPI Linux Cert	T	6:00-8:20	+ONLINE 3.0
Eve	33526	CNT 7701	HY1	IT Virtualization,Data,VMware	M	6:30-8:45	+ONLINE 3.0
Eve	32078	CS 41	HY1	Intro to Linux/LPI Linux+ Cert	T	6:00-8:20	+ONLINE 3.0
Eve	31365	ENG 1A	HY1	Critical Reading and Comp	M	7:00-9:50	+ONLINE 3.0
Eve	31935	ENG 1A	HY2	Critical Reading and Comp	Th	7:00-9:50	+ONLINE 3.0
Eve	33479	FREN 1B	HY1	Elementary French	T	6:30-9:20	+ONLINE 5.0
Web	33260	PSYC 25	HY1	Research Methods	T	6:00-8:50	+ONLINE 4.0

Late Start (Jan 27 - May 22)

Day	31491	CS 7	LH1	Intro to Computer Programming	W	3:30-6:20	+ONLINE 3.0
Eve	30018	CIS 50	HY3	Intro to Computing Info Tech	W	6:30-9:20	+ONLINE 3.0

Fast Track 1 (Jan 13 - Mar 13)

Day	33473	BUSN 30	HD1	Business Ethics and Society	M	12:00-2:20	+ONLINE 3.0
Eve	33527	CNT 8003	HY1	Cisco CCNA3 Scaling Networks	W	6:00-9:45	+ONLINE 3.0

Fast Track 2 (Mar 16 - May 15)

Day	33512	BUSN 87	LD1	Organizational MGT Leadership	M	12:00-2:20	+ONLINE 3.0
Eve	33528	CNT 8004	HY2	Cisco CCNA4 R&S Connecting Net	W	6:00-9:45	+ONLINE 3.0

See the main body of this schedule for course descriptions, prerequisite information, and any other pertinent information. The courses listed above are subject to change. Check the Online Learning website at <http://www.laspositacollege.edu/onlinelearning> for up-to-date information.

ALTERNATE SCHEDULE COURSES

FAST TRACK - 1st session

JAN 13 thru MAR 13

D/E	CRN	COURSE	SEC	DESCRIPTION	DAYS	TIMES	UNITS
Day	30185	CIS 88A	FT1	Introduction to Microsoft Word	TTh	12:30-2:45	1.5
Day	32103	CMST 1	FT1	Fundament. of Public Speaking	TTh	12:30-3:20	3.0
Day	31096	KIN 31C	FT1	Spring Intercol Basketball-Men	MTWThF	3:00-4:50	1.5
Day	31097	KIN 41C	FT1	Intercollegiate Bsktbl Women	MTWThF	1:00-2:50	1.5
Day	32533	MATH 30	FT1	College Algebra for STEM	F	9:30-11:50	4.0
Day	32533	MATH 30	FT1	College Algebra for STEM	MWTh	9:30-12:20	4.0
Eve	32510	RADS 40B	FT1	Emergency Response & Monitorin	W	7:00-8:50	1.0
Web	33524	CIS 81A	DE1	Intro to Cloud Computing	ONLINE		3.0
Web	30357	CIS 88A	DE1	Introduction to Microsoft Word	ONLINE		1.5
Web	30083	GEOL 12	DE1	Introduction to Oceanography	ONLINE		3.0
Web	32151	RELS 1	DE3	Religions of the World	ONLINE		3.0
Day	33473	BUSN 30	HD1	Business Ethics and Society	M	12:00-2:20 +ONLINE	3.0
Eve	33527	CNT 8003	HY1	Cisco CCNA3 Scaling Networks	W	6:00-9:45 +ONLINE	3.0

FAST TRACK - 2nd session

MAR 16 thru MAY 15

D/E	CRN	COURSE	SEC	DESCRIPTION	DAYS	TIMES	UNITS
Day	30587	CIS 84	FT2	Windows	T	12:30-2:35	
					Th	12:30-2:15	1.0
Day	30158	CIS 88B	FT2	Adv Microsoft Word	TTh	12:30-2:55	1.5
Day	30199	CIS 89A	FT2	Desktop Presentation	T	12:30-2:15	
					Th	12:30-2:00	1.0
Day	32104	CMST 1	FT2	Fundament. of Public Speaking	TTh	12:25-3:30	3.0
Day	33100	EMS 14	FT2	Paramedic Clinical Practicum	BY ARR		6.0
Day	31427	KIN 31D	FT2	Off Seas Intercol Mens Bsktbl	MTWTh	3:00-4:25	1.0
Day	33570	KIN 41D	FT2	Off Sea Intercol Womens Bsktbl	BY ARR		1.0
Day	32534	MATH 39	FT2	Trigonometry	MWTh	9:30-12:20	
					F	9:30-11:50	4.0
Eve	30195	CIS 89A	FT4	Desktop Presentation	MW	6:30-8:45	1.0
Eve	32511	RADS 40C	FT2	Safety Controls & Regulation	W	7:00-8:50	1.0
Web	31430	BUSN 40	LO1	Introduction to Business	ONLINE		3.0
Web	33525	CIS 81A	LO2	Intro to Cloud Computing	ONLINE		3.0
Web	30358	CIS 88B	LO1	Adv Microsoft Word	ONLINE		1.5
Web	30359	CIS 89A	LO1	Desktop Presentation	ONLINE		1.0
Web	32099	PCN 13	LO1	Multicultural Issues: America	ONLINE		3.0

See the main body of this schedule for course descriptions, prerequisite information, and any other pertinent information. The courses listed above are subject to change. Check the Online Learning website at <http://www.laspositascollege.edu/onlinelearning> for up-to-date information.

ALTERNATE SCHEDULE COURSES

FAST TRACK - 2nd session

MAR 16 thru **MAY 15**

D/E	CRN	COURSE	SEC	DESCRIPTION	DAYS	TIMES	UNITS
Web ...	32270	PCN 18	LO1	University Transfer Planning.....	ONLINE		1.0
Web ...	32574	PCN 30	LO1	Student Success:College Exp.....	ONLINE		3.0
Web ...	32212	RELS 1	LO1	Religions of the World	ONLINE		3.0
Day.....	33512	BUSN 87	LD1	Organizational MGT Leadership	M.....	12:00-2:20.... +ONLINE	3.0
Eve	33528	CNT 8004	HY2	Cisco CCNA4 R&S Connecting Net	W	6:00-9:45..... +ONLINE	3.0

LATE START

JAN 27 thru **MAY 22**

D/E	CRN	COURSE	SEC	DESCRIPTION	DAYS	TIMES	UNITS
Day.....	30791	CIS 71A	LS1	Keyboarding (The Alphabet)	TTh	1:00-2:45.....	1.0
Day.....	30794	CIS 71A	LS2	Keyboarding (The Alphabet)	BY ARR		1.0
Day.....	30847	CIS 71A	LS3	Keyboarding (The Alphabet)	BY ARR		1.0
Day.....	30792	CIS 71B	LS1	Keyboard (Numbers and Symbols)	TTh	1:00-2:45.....	1.0
Day.....	30795	CIS 71B	LS2	Keyboard (Numbers and Symbols)	BY ARR		1.0
Day.....	30848	CIS 71B	LS3	Keyboard (Numbers and Symbols)	BY ARR		1.0
Day.....	30793	CIS 71C	LS1	Skills Improvement	TTh	1:00-2:45.....	1.0
Day.....	30796	CIS 71C	LS2	Skills Improvement	BY ARR		1.0
Day.....	30849	CIS 71C	LS3	Skills Improvement	BY ARR		1.0
Day.....	30122	CIS 72A	LS1	Data Management	BY ARR		1.0
Day.....	30123	CIS 72B	LS1	Basic Office Integration	BY ARR		1.0
Day.....	30141	CIS 73A	LS2	Ten-Key Skill Development.....	BY ARR		1.0
Day.....	31896	CIS 75	LS1	Office Tech./Communications.....	BY ARR		1.0
Day.....	30469	CIS 8	LS1	Essential Computing Skills.....	BY ARR		2.0
Day.....	31354	ESL 130A	LS1	Beg Grammar/Write, Read I	F	9:30-12:40.....	3.0
Day.....	32719	PCN 10	LS1	Career and Educ. Planning.....	MW	9:30-10:35.....	2.0
Day.....	32097	PCN 13	LS1	Multicultural Issues: America	TTh	4:00-5:25.....	3.0
Day.....	33494	PCN 15	LS1	College Study Skills	TTh	2:00-3:05.....	2.0
Eve	31500	CIS 72A	LS2	Data Management	BY ARR		1.0
Eve	30473	CIS 72B	LS2	Basic Office Integration	BY ARR		1.0
Eve	30132	CIS 73A	LS1	Ten-Key Skill Development.....	BY ARR		1.0
Eve	30184	CIS 75	LS2	Office Tech./Communications.....	BY ARR		1.0
Eve	30487	CIS 8	LE2	Essential Computing Skills.....	MW	7:00-8:30.....	2.0
Eve	31908	LIBR 4	LE1	College Research Techniques	M.....	5:00-7:15.....	0.5

See the main body of this schedule for course descriptions, prerequisite information, and any other pertinent information. The courses listed above are subject to change. Check the Online Learning website at <http://www.laspositascollege.edu/onlinelearning> for up-to-date information.

ALTERNATE SCHEDULE COURSES

LATE START (cont'd)

JAN 27 thru MAY 22

D/E	CRN	COURSE	SEC	DESCRIPTION	DAYS	TIMES	UNITS
Web ...	30134 ...	CIS 71A.....	L01....	Keyboarding (The Alphabet)	ONLINE.....		1.0
Web ...	30135 ...	CIS 71B.....	L01....	Keyboard (Numbers and Symbols)	ONLINE.....		1.0
Web ...	30136 ...	CIS 71C.....	L01....	Skills Improvement	ONLINE.....		1.0
Web ...	33080 ...	WRKX 94	L01....	Occupational Work Exp/Intern.....	ONLINE.....		1.0
Web ...	33081 ...	WRKX 94	L02....	Occupational Work Exp/Intern.....	ONLINE.....		2.0
Web ...	33082 ...	WRKX 94	L03....	Occupational Work Exp/Intern.....	ONLINE.....		3.0
Web ...	33083 ...	WRKX 94	L04....	Occupational Work Exp/Intern.....	ONLINE.....		4.0
Web ...	33084 ...	WRKX 94	L05....	Occupational Work Exp/Intern.....	ONLINE.....		5.0
Web ...	33085 ...	WRKX 94	L06....	Occupational Work Exp/Intern.....	ONLINE.....		6.0
Web ...	33086 ...	WRKX 94	L07....	Occupational Work Exp/Intern.....	ONLINE.....		7.0
Web ...	33114 ...	WRKX 94	L08....	Occupational Work Exp/Intern.....	ONLINE.....		8.0
Web ...	32677 ...	WRKX 95	L01....	General Work Experience.....	ONLINE.....		1.0
Web ...	33087 ...	WRKX 95	L02....	General Work Experience.....	ONLINE.....		2.0
Web ...	33089 ...	WRKX 95	L03....	General Work Experience.....	ONLINE.....		3.0
Web ...	33090 ...	WRKX 95	L04....	General Work Experience.....	ONLINE.....		4.0
Web ...	33088 ...	WRKX 95	L05....	General Work Experience.....	ONLINE.....		5.0
Web ...	33091 ...	WRKX 95	L06....	General Work Experience.....	ONLINE.....		6.0
Day.....	31491 ...	CS 7	LH1....	Intro to Computer Programming	W	3:30-6:20..... +ONLINE	3.0
Eve	30018 ...	CIS 50	HY3 ...	Intro to Computing Info Tech.....	W	6:30-9:20..... +ONLINE	3.0

WEEKEND classes

D/E	CRN	COURSE	SEC	DESCRIPTION	DAYS	TIMES	UNITS
Sat	32561 ...	AUTO INTR..	WE1...	Auto Service & Introduction	Sat.....	9:00-4:50.....	4.0
Sat	30559 ...	WLDT 67A ..	WE1...	Welding Skills Lab	Sat.....	9:00-3:10.....	2.0
Sat	30561 ...	WLDT 67B...	WE1...	ADVANCED WELDING SKILLS LAB.....	Sat.....	9:00-3:10.....	2.0
Sat	31083 ...	WLDT 68.....	WE1...	Certification Preparation	Sat.....	9:00-3:10.....	2.0
Sat	30581 ...	WLDT 69A ..	WE1...	Beginning Pipe Welding.....	Sat.....	8:00-3:10.....	3.0
Sat	30582 ...	WLDT 69B...	WE1...	Advanced Pipe Welding.....	Sat.....	8:00-3:10.....	3.0

Classes with Varying Start Dates

D/E	CRN	COURSE	SEC	DESCRIPTION	DAYS	TIMES	DATES	UNITS
Day.....	31687 ...	EMS 91	LS1	Emergency Med. Tech- Refresher	Fri.....	8:00-5:00.....	(4 Fridays)	1.0

See the main body of this schedule for course descriptions, prerequisite information, and any other pertinent information. The courses listed above are subject to change. Check the Online Learning website at <http://www.laspositascollege.edu/onlinelearning> for up-to-date information.

NONCREDIT COURSES

Noncredit courses are intended for students who want to gain general knowledge, learn a new skill, upgrade existing skills, enrich their understanding or get support to be successful in college level credit courses. Noncredit classes are NOT applicable toward a degree. Upon completion of a series of noncredit classes, students can earn a noncredit Certificate of Completion or Certificate of Competency.

D/E	CRN	COURSE	SEC	DESCRIPTION	DAYS	TIMES	UNITS
NONCREDIT MATH							
Day.....	33373	NMAT 200C.....	C01	Concurrent Support SLAM Math	TTh.....	02:00-03:15	0.0
Day.....	33374	NMAT 200C.....	C02	Concurrent Support SLAM Math	MWF.....	09:30-10:20	0.0
Day.....	33375	NMAT 200C.....	C03	Concurrent Support SLAM Math	MWF.....	10:30-11:20	0.0
Day.....	33376	NMAT 200C.....	C04	Concurrent Support SLAM Math	MW.....	02:00-03:15	0.0
Day.....	33377	NMAT 200C.....	C05	Concurrent Support SLAM Math	MW.....	03:30-04:45	0.0
Day.....	33379	NMAT 200C.....	C07	Concurrent Support SLAM Math	TTh.....	09:00-10:15	0.0
Day.....	33380	NMAT 200C.....	C08	Concurrent Support SLAM Math	TTh.....	10:30-11:45	0.0
Day.....	33381	NMAT 200C.....	C09	Concurrent Support SLAM Math	TTh.....	03:30-04:45	0.0
Day.....	33383	NMAT 201C.....	C01	Concurrent Support BSTEM Math	TTh.....	02:00-03:15	0.0
Day.....	33384	NMAT 201C.....	C02	Concurrent Support BSTEM Math	MWF.....	09:30-10:20	0.0
Day.....	33385	NMAT 201C.....	C03	Concurrent Support BSTEM Math	MWF.....	10:30-11:20	0.0
Day.....	33386	NMAT 201C.....	C04	Concurrent Support BSTEM Math	MW.....	02:00-03:15	0.0
Day.....	33387	NMAT 201C.....	C05	Concurrent Support BSTEM Math	MW.....	03:30-04:45	0.0
Day.....	33389	NMAT 201C.....	C07	Concurrent Support BSTEM Math	TTh.....	09:00-10:15	0.0
Day.....	33390	NMAT 201C.....	C08	Concurrent Support BSTEM Math	TTh.....	10:30-11:45	0.0
Day.....	33391	NMAT 201C.....	C09	Concurrent Support BSTEM Math	TTh.....	03:30-04:45	0.0
Day.....	33393	NMAT 202C.....	C01	Concurrent Support for Math	By Arr.....		0.0
Day.....	33356	NMAT 207.....	X01	Pre-Algebra	TTh.....	09:30-12:15	0.0
Day.....	33357	NMAT 207.....	X02	Pre-Algebra	TTh.....	12:30-03:15	0.0
Day.....	33358	NMAT 207.....	X03	Pre-Algebra	MW.....	12:30-03:15	0.0
Day.....	33359	NMAT 207.....	X04	Pre-Algebra	TTh.....	03:30-06:15	0.0
Day.....	33360	NMAT 207.....	X05	Pre-Algebra	MW.....	09:30-12:15	0.0
Day.....	33361	NMAT 207.....	X06	Pre-Algebra	MW.....	03:30-06:15	0.0
Day.....	33364	NMAT 210.....	X01	Elementary Algebra	TTh.....	09:30-11:20	0.0
Day.....	33365	NMAT 210.....	X02	Elementary Algebra	TTh.....	12:30-02:20	0.0
Day.....	33366	NMAT 210.....	X03	Elementary Algebra	MW.....	12:30-02:20	0.0
Day.....	33367	NMAT 210.....	X04	Elementary Algebra	TTh.....	03:30-05:20	0.0
Day.....	33368	NMAT 210.....	X05	Elementary Algebra	MW.....	09:30-11:20	0.0
Day.....	33369	NMAT 210.....	X06	Elementary Algebra	MW.....	03:30-05:20	0.0
Day.....	33612	NMAT 250.....	V01	Intermediate Algebra for SLAM	MWF.....	08:00-09:50	0.0
Day.....	33613	NMAT 250.....	V02	Intermediate Algebra for SLAM	TTh.....	10:30-01:10	0.0
Day.....	33614	NMAT 255.....	V01	Intermediate Algebra for BSTEM	TTh.....	08:00-10:15	0.0
Day.....	33347	NMAT 255.....	X01	Intermediate Algebra for BSTEM	TTh.....	09:30-11:45	0.0
Day.....	33348	NMAT 255.....	X02	Intermediate Algebra for BSTEM	TTh.....	12:30-02:45	0.0
Day.....	33349	NMAT 255.....	X03	Intermediate Algebra for BSTEM	MW.....	12:30-02:45	0.0
Day.....	33350	NMAT 255.....	X04	Intermediate Algebra for BSTEM	TTh.....	03:30-05:45	0.0
Day.....	33351	NMAT 255.....	X05	Intermediate Algebra for BSTEM	MW.....	09:30-11:45	0.0
Day.....	33352	NMAT 255.....	X06	Intermediate Algebra for BSTEM	MW.....	03:30-05:45	0.0

NONCREDIT COURSES

D/E	CRN	COURSE	SEC	DESCRIPTION	DAYS	TIMES	UNITS
-----	-----	--------	-----	-------------	------	-------	-------

NONCREDIT MATH (continued)

Eve	33378	NMAT 200C	C06	Concurrent Support SLAM Math	MW	05:00-06:15	0.0
Eve	33382	NMAT 200C	C10	Concurrent Support SLAM Math	TTh	06:00-07:15	0.0
Eve	33388	NMAT 201C	C06	Concurrent Support BSTEM Math	MW	05:00-06:15	0.0
Eve	33392	NMAT 201C	C10	Concurrent Support BSTEM Math	TTh	06:00-07:15	0.0
Eve	33362	NMAT 207	X93	Pre-Algebra	MW	06:30-09:15	0.0
Eve	33363	NMAT 207	X94	Pre-Algebra	TTh	06:30-09:15	0.0
Eve	33371	NMAT 210	X93	Elementary Algebra	MW	06:30-08:20	0.0
Eve	33372	NMAT 210	X94	Elementary Algebra	TTh	06:30-08:20	0.0
Eve	33341	NMAT 210	093	Elementary Algebra	TTh	08:00-09:50	0.0
Eve	33342	NMAT 250	093	Intermediate Algebra for SLAM	TTh	06:30-09:15	0.0
Eve	33615	NMAT 255	093	Intermediate Algebra for BSTEM	MW	07:30-09:45	0.0
Eve	33353	NMAT 255	X93	Intermediate Algebra for BSTEM	MW	06:30-08:45	0.0
Eve	33354	NMAT 255	X94	Intermediate Algebra for BSTEM	TTh	06:30-08:45	0.0

MATH JAM

Day	33407	NMAT 260A	M01	Math Jam Intro to Tutoring	S	09:30-12:00	0.0
Day	33408	NMAT 260B	M01	Math Jam for Tutors	MTWTh	03:00-03:50	0.0
Day	33400	NMAT 261	M01	Math Jam for Prealgebra Prep	MTWThF	09:00-03:00	0.0
Day	33401	NMAT 262	M01	Math Jam for Elem.Algebra Prep	MTWThF	09:00-03:00	0.0
Day	33402	NMAT 263	M01	Math Jam Inter.Algebra Prep	MTWThF	09:00-03:00	0.0
Day	33403	NMAT 264	M01	Math Jam for SLAM Prep	MTWThF	09:00-03:00	0.0
Day	33404	NMAT 264	M02	Math Jam for SLAM Prep	MTWThF	09:00-03:00	0.0
Day	33405	NMAT 265	M01	Math Jam for BSTEM Prep	MTWThF	09:00-03:00	0.0
Day	33406	NMAT 265	M02	Math Jam for BSTEM Prep	MTWThF	09:00-03:00	0.0

NONCREDIT ESL

Day	33314	NESL 231B	V02	High- Beg. Reading and Writing	M	09:00-11:50	
					W	09:00-12:50	0.0
Eve	33316	NESL 220A	093	Intermediate Grammar Reading	F	06:30-09:20	0.0
Eve	33317	NESL 220B	093	High-Intermediate Grammar	F	06:30-09:20	0.0
Eve	33315	NESL 221A	093	Intermed. Reading and Writing	M	06:30-09:20	
					W	05:30-09:20	0.0
Eve	33569	NESL 231A	093	Beginning Reading and Writing	T	05:30-09:20	
					Th	06:30-09:20	0.0

NONCREDIT TUTORING

Day	33328	NTUT 200	V01	Supervised Tutoring	by arr		0.0
-----	-------	----------	-----	---------------------	--------	--	-----

FEES & PAYMENT POLICY

FEE	AMOUNT	DESCRIPTION <i>(NOTE: Fees are subject to change without notice)</i>
ENROLLMENT FEE	\$46 per unit	The enrollment fee for California residents, except those exempt by law, is \$46.00 per unit
NONRESIDENT TUITION	\$282 per unit	Nonresidents of California are required to pay a tuition fee of \$282.00 per unit in addition to the enrollment fee (\$46 per unit) and other college fees. A California Nonresident Tuition Exemption may be granted to certain nonresident students who meet the exemption requirements. Contact the Admissions and Records Office for information.
INTERNATIONAL STUDENT TUITION	\$282 per unit	The tuition fee for international students, non-immigrant aliens or students on other types of visas is \$282.00 per unit, in addition to the enrollment fee (\$46 per unit) and other college fees. Failure to meet payment deadlines may jeopardize your F-1 status.
STUDENT HEALTH SERVICES FEE	\$20 per semester \$17 per Summer	Las Positas College has a mandatory student health services fee of \$20.00 for Fall and Spring semesters, and \$17 for Summer term. This fee is used to support health services for all enrolled students. Information on exemptions may be obtained by contacting the Admissions and Records Office.
STUDENT REPRESENTATION FEE	\$1 per semester	Students are charged a mandatory fee of \$1 per semester to support student advocacy activities.
STUDENT ACTIVITIES FEE	\$10 per semester	An optional fee of \$10.00 will be charged each semester. These fees are used to support Student Life through events and programs sponsored by our Las Positas College Student Government, Inter-Club Council, and recognized student clubs.
PARKING FEE	\$3 daily \$20 Summer \$40 Fall & Spring	Parking at Las Positas College is by permit only. Mandatory daily permits can be purchased for \$3.00 from dispensers located in the parking lots. Permits for automobiles can be purchased online via CLASS-Web or The ZONE for \$40.00 for Spring and Fall semesters, \$20 for Summer. (Motorcycles - \$20.00). A reduced term parking fee of \$30.00 is available for California College Promise Grant (formerly BOG Fee Waiver) students.
TRANSPORTATION FEE	\$9/\$8 per semester	All students are charged a mandatory transportation fee of \$9 (enrolled in six or more units), or \$8 (enrolled in less than six units) per semester. As a result, students are able to ride Wheels buses throughout the semester without having to pay the ridership fare. Contact the Student Life Office for more information.

www.MyCollegePaymentPlan.com/laspositas

For additional information, call 800.609.8056.

Customer service representatives are available 24/7.



SPRING 2020

Payment plan available Dec 3, 2019

Target Dates to Enroll By:

Last day to enroll online	Required down payment	Number of payments	Months of payments
Payments on the 5 th of the month			
Jan 2	none	4	Jan - Apr
Jan 27	10%	3	Feb - Apr
Jan 29	25%	2	Mar - Apr

Visit our website at
<http://www.laspositascollege.edu/admissions/nelnet.php>

Payment Methods

- Automatic bank payment (ACH)
- Credit card/debit card

Cost to Participate

- \$20 enrollment fee per semester
- \$30 returned payment fee if a payment is returned

Simple Steps to Enroll

- Go to www.laspositascollege.edu
- Click on CLASS-Web
- Choose Sign On to CLASS-Web and log in
- Click on the e-Cashier link located on the Pay Fees Online/Registration Fee Assessment Page

FEES & PAYMENT POLICY

COURSE MATERIALS FEES

The following chart represents an inventory of Las Positas College courses that have materials, facilities, or certification fees assessed in addition to enrollment fees.

DISCIPLINE	COURSE	TYPE	FEE AMT
Emergency Medical Services	EMS 30	Certification	\$7
Emergency Medical Services	EMS 70A, 70B	Certification	\$4
Fire Service Technology	FST 86A	Materials	\$80
Kinesiology	KIN 15	Materials	\$27
Kinesiology	KIN 17, LG	Materials	\$35
Kinesiology	KIN 18	Materials	\$30
Photography	PHTO 50, 51, 56, 57, 58, 60, 64A, 68, 69	Materials	\$20
Viticulture & Winery Tech	VWT 25, 44	Materials	\$100
Viticulture & Winery Tech	VWT 1, 2, 45, 47, 55	Materials	\$150
Welding Technology	WLDT 61AL, 61BL	Materials	\$70
Welding Technology	WLDT 62AL, 62BL	Materials	\$75
Welding Technology	WLDT 63	Materials	\$30
Welding Technology	WLDT 66	Materials	\$25
Welding Technology	WLDT 67A, 67B	Materials	\$40
Welding Technology	WLDT 69A, 69B	Materials	\$100
Welding Technology	WLDT 70, 71	Materials	\$60

NOTE: Materials fees are subject to change without notice. Please check the website for updated information.

PRINT FEE CARDS

Use of a college computer lab requires the purchase of a Print Fee Card obtained from the Las Positas College Bookstore or vending machines in the Library or Computer Center, Room 803. Discounted Print Fee Cards may be purchased in the Bookstore.

STUDENT FEE PAYMENT POLICY

Fees must be paid in full by the scheduled payment due date or you will be dropped from your classes. Enrollment is conditional. The College reserves the right to cancel your registration. Fees can be paid by the following payment methods:

- Online** use your credit card by logging into The Zone or CLASS-Web.
- Mail** send a check or money order for full payment. DO NOT SEND CASH!
- In-person** pay by cash, check or credit card at the Admissions and Records Office.
- NELNET** sign up for our online payment plan - see page 102 for details.

AFTER REGISTERING FOR CLASSES

The College does not issue billing statements after registration. It is up to the student to view their balance on CLASS-Web and pay any fees due. Note: Your enrollment is conditional until fees have been paid in full.

IMMEDIATE TEMPORARY NONRESIDENT TUITION EXEMPTION

Per AB 2210, Education Code section 68075.65

Education Code section 68075.6 grants an immediate nonresident tuition fee exemption to eligible Special Immigrant Visa (SIV) holders

and refugee students who settled in California upon entering the United States. This exemption is granted for one year from the date the student settled in California upon entering the United States.

This exemption applies to the following:

- Iraqi citizens or nationals (and their spouses and children) who were employed by or on behalf of the United States Government in Iraq (Pub.L. No. 110-181, § 1244)
- Afghan and Iraqi translators (and their spouses and children) who worked directly with the United States Armed Forces (Pub.L. No. 109-163, § 1059)
- Afghanistan nationals who were employed by or on behalf of the U.S. government or in the International Security Assistance Force (ISAF) in Afghanistan (Pub.L. No. 111-8, § 602)
- Refugee students admitted to the United States under Section 1157 of Title 8 of the United States Code

ENROLLMENT FEE REFUND POLICY

Students may request a refund of enrollment fees as long as the student withdraws from the class during the first two weeks of class for a regular term class, or by the 10% point of the length of a short-term class. Refunds are not automatic. Requests for refunds must be filed by June 30 for the academic year. Credit balances do not carry over from one academic year to the next.

A student who must withdraw for military purpose shall be refunded 100% of the fees paid, regardless of the date of withdrawal. In this case, requests for refunds made after the end of the academic year will be honored.

To apply for an enrollment fee refund, file a Request for Refund form at the Admissions and Records Office. No refunds will be given to students who withdraw from classes after the no-grade-of-record (NGR) deadline.

A \$10.00 processing fee will be subtracted from each enrollment fee refund with the exception of classes cancelled by the College.

The Student Representation Fee, Student Health Services Fee, Transportation Fee, and Student Activities Fee are not refundable.

Refund checks will be sent by mail approximately 6 weeks after the NGR deadline.

In addition to the above, Nonresident and International tuition refunds will be given as follows:

- Prior to the first day of instruction - 90%
- During the first week of instruction - 75%
- After the first week of instruction - No refund

RETURNED CHECK POLICY

According to California Civil Code Section 1719, the Chabot-Las Positas Community College District will assess a service charge of \$25 for the first check passed on insufficient funds and a \$35 charge for each subsequent check passed on insufficient funds.

COLLECTION POLICY

Chabot-Las Positas Community College District may refer a student's outstanding debt to a collection agency and/or the State of California Franchise Tax Board (FTB) for collection. Once referred, additional fees may apply and credit rating may be affected. If debt is referred to the FTB, amounts owed may be deducted from a student's state tax refund, California lottery prize, or unclaimed property.

FINANCIAL AID

FINANCIAL AID INFORMATION

The Financial Aid Office awards fee waivers, grants, scholarships, student loans, and work-study to eligible students. All students are encouraged to apply for financial aid and scholarships. More than 40% of our students receive some kind of financial assistance.

Free Application for Federal Student Aid (FAFSA)

www.fafsa.gov

The FAFSA allows students to apply for federal and state financial aid including fee waivers, grants, student loans, and work-study. All students are strongly encouraged to complete and submit the FAFSA online. Those who qualify automatically are granted a California Promise Grant Fee Waiver. Please use the Las Positas College Federal School Code 030357.

California Dream Act Application (CADAA)

<https://dream.csac.ca.gov/>

The CADAA allows undocumented students who meet AB540 eligibility criteria to apply for state-based financial aid including fee waivers and Cal grants. Students must submit additional documentation to the Admissions & Records Office to establish AB540 eligibility.

California College Promise Grant (formerly BOG Fee Waiver) Application

<https://bog.openccapply.net/gateway/bog?cccMisCode=481>

The California College Promise Grant application allows students to apply for an enrollment fee waiver which waives the \$46 per unit enrollment fee. Students must meet income criteria established as well as academic and progress standards each term. It's best to file the FAFSA or CADAA so that you are considered for all possible sources of financial aid, as this application will only provide a fee waiver.

SCHOLARSHIPS

<http://www.laspositascollege.edu/financialaid/scholarships.php>

Las Positas College is proud to offer scholarships to eligible students. Scholarship criteria varies greatly and may include scholastic achievement, athletic ability, academic major, career goal, artistic ability, financial unmet need, and intent to transfer to a four-year college. Las Positas College's official scholarship program is offered in Spring each year. Outside scholarship opportunities and searches are provided year-round as resources on the Financial Aid website.

FINANCIAL AID GENERAL INFORMATION

File Completion and Award Notification

Students who submit a FAFSA or CADAA Application are notified by email to submit all required missing documentation or forms to the Financial Aid Office to complete their financial aid file. Award notices are sent to students via the college's zonemail email address once all documentation has been received and reviewed by the Financial Aid Office. Award details are also available via ZONE and CLASS-Web.

Award Determination

Financial aid awards are based on an assumption of full-time enrollment, and are determined by student's unmet financial need and other specific criteria. Students enrolled less than

full-time will actually receive less funding than what has been awarded, as student's actual payment (refund) amount is based on actual units of enrollment. Students are considered full-time if enrolled in 12 or more units, $\frac{3}{4}$ time if enrolled between 9 and 11.5 units, $\frac{1}{2}$ time if enrolled between 6 and 8.5 units, and less than half time if enrolled in less than 6 units.

Financial Aid Disbursements

Las Positas College has contracted with BankMobile for the disbursement of financial aid to students. BankMobile offers two methods for students to receive their financial aid. Students may choose to have their financial aid transferred electronically to an existing bank account or students may elect to open a BankMobile Vibe debit card account. Students who have applied for financial aid in a previous year and have not received or have lost their debit card should contact the Financial Aid Office for assistance to establish a refund delivery method.

Late Start Classes

Financial aid disbursement for late start classes will occur the week when the late start class begins.

Satisfactory Academic Progress (SAP)

Students must maintain satisfactory academic progress (SAP) each term in order to continue to be eligible for financial aid.

For federal and state student aid, which includes grants, loans and work-study, students must maintain a 2.0 term and cumulative grade point average (GPA), must complete at least 67% of the units attempted each term and overall, and must not exceed 150% maximum timeframe of their declared educational program.

For California College Promise Grant Fee Waiver program, students must maintain a 2.0 cumulative GPA and must maintain completion of at least 50% of the cumulative units attempted. Students are subject to lose their fee waiver eligibility if they do not meet both of these academic and/or progress standards after two consecutive terms.

Fraud and Abuse

The Financial Aid Office is responsible for awarding and ensuring that financial aid funds are disbursed to eligible students. In the event there are concerns about the accuracy or truthfulness about information or documents provided, the Financial Aid Office will not award or disburse financial aid. If it is determined that a student has attempted or received financial aid by providing false or misleading information, failure to formally withdraw when no longer attending classes, or otherwise manipulating eligibility criteria in an attempt to receive financial aid, all funds received must be repaid, and the student will be referred to the U.S. Department of Education, Office of Inspector General, for possible investigation and prosecution for fraud.

Contact Information

For additional information, please contact the Financial Aid Office by calling (925) 424-1580, by e-mailing lpccfinaid@laspositascollege.edu, or by visiting the Student Services and Administration Building, Room 1650 (second floor). Information is available online by visiting www.laspositascollege.edu/financialaid.

ACADEMIC & STUDENT SUPPORT SERVICES

ADMISSIONS & RECORDS

<http://www.laspositascollege.edu/admissions/>

The Admissions & Records Office is here to serve as a resource regarding admissions, registration, enrollment verification, transcript requests, grades, and evaluation of transcripts for the purpose of awarding degrees and certificates. Our mission is to provide an inclusive learning-centered institution providing educational opportunities and support for completion of students' transfer, degree, basic skills, career-technical, and retraining goals.

ASSESSMENT CENTER

<http://www.laspositascollege.edu/assessmentcenter/>

The Assessment Center provides English, English as a Second Language (ESL), mathematics, chemistry, French, and Spanish placement for Las Positas College students. No appointments needed for testing. Contact the Assessment Center for more information.

ATHLETICS

<http://athletics.laspositascollege.edu/navbar-information/>

Las Positas College Athletics meets student athletes where they are and empowers them to achieve their academic and athletic goals, by providing equitable athletic opportunities, leadership skills, team work, hard work, accountability and symmetry. The mission of the Athletic Department is to provide exceptional opportunities for students interested in competing in intercollegiate athletics, and to promote success both on and off the field through intercollegiate participation. The Athletic Department assists student-athletes in developing the knowledge, skills and abilities to help them pursue their educational, career, athletic and personal goals.

BOOKSTORE

<http://www.bkstr.com/laspositasstore/home/>

The Las Positas College Bookstore is the college's official store equipped to sell textbooks and workbooks in addition to school supplies, apparel, uniforms, tools, refreshments, and snacks.

CALIFORNIA WORK OPPORTUNITY AND RESPONSIBILITY TO KIDS (CALWORKS)

<http://www.laspositascollege.edu/calworks/>

The CalWORKs program is dedicated to providing students who are currently receiving Temporary Assistance for Needy Families (TANF) cash aid with coordinated student services such as counseling, work study, child care, and advocacy. Our goal is to guide students through a successful educational journey that will help them achieve long-term self-sufficiency.

CAREER CENTER

<http://www.laspositascollege.edu/careercenter/>

The Career Center at Las Positas College is designed to help students select a major or educational goal that aligns with their professional interests. Career Center personnel help students draft and edit cover letters and resumes, and provide referrals to internships and paid jobs, and host job fairs on-campus.

CASHIER'S OFFICE

<http://www.laspositascollege.edu/cashier/>

The Cashier's Office is responsible for collecting and processing tuition and student fees along with other miscellaneous fee payments. The Cashier's Office manages third party invoicing, the collection of outstanding balances due to the College, and processes refunds due to over payments, class withdrawals, unit reductions, and residency status changes.

CHILD DEVELOPMENT CENTER

<http://www.laspositascollege.edu/childdevelopmentcenter/>

The Child Development Center at Las Positas College offers an enriched social and educational experience for children. We are a model of "best practices" in the field of early education and children benefit by participating in innovative projects and personal interactions. Having a play-based philosophy, academics are integrated into the daily activities based on the children's interests. Each day children will experience small and large group times, free choice, and outdoor times. They will have enriched activities throughout the day. Licensed by the State of California, we are committed to providing an inclusive and diverse environment where all children, families, and staff feel welcome. We have several enrollment options available including state funded preschool and LPC student scholarships through our 2GenFund program. In partnership with the ECE Department, we serve as a lab program for students interested in pursuing a career in Early Care and Education. For more information on this program, please stop by Building 2300 or call 925-424-1560.

COMPUTER CENTER

<http://www.laspositascollege.edu/computercenter/>

The Computer Center in Room 803 is a quiet open lab for school assignments. Computers are available on a "first come, first served" basis. You may be asked to give up your computer for classes that are held in 803 that need your seat. Instructional assistance is available from Computer Center staff during operating hours. Please notify staff if you have problems using the technology in the 803 lab.

CONCURRENT ENROLLMENT

<http://www.laspositascollege.edu/admissions/concurrent.php>

Las Positas College provides the opportunity for high school students in 10th, 11th, and 12th grades to enroll in college-level courses. Students who desire to participate in concurrent enrollment must be recommended by their high school principal and have written parental permission. Further information on the Concurrent Enrollment policy is available at the student's high school, and at the Admissions and Records Office. We are happy to be able to offer high school students the opportunity to enroll concurrently for the spring, summer, and fall terms.

COOPERATIVE AGENCIES RESOURCES FOR EDUCATION (CARE)

<http://www.laspositascollege.edu/EOPS/care.php>

The Cooperative Agencies Resources for Education (CARE) program provides a variety of services and activities to assist single parent students in achieving educational goals. They may receive additional services such as special counseling, support groups, child care, stipends, book certificates, transportation expense reimbursements, automotive repair and maintenance service, job search assistance, tutoring, and peer advising. To be eligible for CARE, students must be a current Extended Opportunity Programs and Services (EOPS) student, be attending college full-time, be receiving or have a child who is receiving Temporary Assistance for Needy Families (TANF), and have a child who is under fourteen years of age.

COUNSELING

<http://laspositascollege.edu/counseling/>

The Las Positas College Counseling Department provides academic, career, and personal counseling to prospective and continuing students. Academic counselors help draft student educational plans, advise students on how to choose educational goals, majors, and careers, and help students complete documentation related to graduation and transfer to

ACADEMIC & STUDENT SUPPORT SERVICES

four-year universities. Academic counselors see students on a drop-in basis and by appointment.

DISABLED STUDENT PROGRAMS & SERVICES (DSPS)

<http://www.laspositascollege.edu/DSPS/>

Our mission is to support students with a disability to attain their educational goals. Accessibility in classes, campus facilities, and all educational services is our primary objective. We strive to ensure that each student is provided the opportunity to have a successful and enriching experience while attending Las Positas College.

ENGINEERING TECHNOLOGY

<http://www.laspositascollege.edu/engineering/eng-tech.php>

Engineering Technology is designed for those who want a hands-on engineering career with a focus on mechanical technology in an applied setting. The program provides students with foundational knowledge in mathematics, critical thinking, problem solving, and engineering design, as well as skills in manufacturing, fabrication, and welding so that students are able to adapt to the ever-changing modern industrial workplace.

EXTENDED OPPORTUNITY PROGRAMS & SERVICES (EOPS)

<http://www.laspositascollege.edu/EOPS/>

Extended Opportunity Programs and Services (EOPS) provides support services for low-income and educationally disadvantaged students to help them succeed in college level coursework. A variety of programs, services, and activities have been directed to the identification, recruitment, retention, and transition of EOPS students to the four-year college/university and/or career placement. Services can include: financial grants and book certificates; academic, career, and personal counseling; new student orientation and readiness programs; special assistance in tutoring and peer advising; transfer counseling; fieldtrips and cultural enrichment activities; and referral services. Program eligibility is based on educational disadvantage and demonstrated financial need. All students must be full-time students and complete a required application.

FINANCIAL AID & SCHOLARSHIPS

<http://www.laspositascollege.edu/financialaid/>

The purpose of Financial Aid & Scholarship Office is to ensure that each student has sufficient resources to enable them to attend college. We provide grants, fee waivers, scholarships, loans, and federal work-study. Financial aid funds are provided to help with all costs of attending college, including enrollment fees, book and supplies, room and board, other personal and living expenses, transportation, child care, and computers. Students do not have to be a full-time student to be eligible for most forms of financial aid, but full-time students do receive the maximum amount of financial aid available.

GATEWAY TO SUCCESS (G2S)

<http://www.laspositascollege.edu/hsi/>

The Gateway to Success program is designed to increase completion and transfer rates of high-need students in Science, Technology, Engineering, and Math (STEM) fields. G2S utilizes a cohort learning model to provide additional services and resources to students in the program.

INTEGRATED LEARNING CENTER (ILC)

<http://www.laspositascollege.edu/ilc/>

The ILC is the student-centered place where help is readily available for students in English as a Second Language (ESL)

and mathematics classes. The ILC is open five days and four nights a week and is staffed by ESL and Mathematics faculty members.

INTERNATIONAL STUDENTS

<http://www.laspositascollege.edu/international/>

The mission of the International Students Program (ISP) is to facilitate the successful transition of international students to Las Positas College and the American educational system. The program staff takes pride in offering strong student support services at every level, beginning with preadmission advisement and continuing through to graduation or transfer. The staff strives to counsel students on academic, career, and personal issues to facilitate their progress toward successful completion of educational goals. Additionally, the ISP staff advises students on United States Citizenship and Immigration Services (USCIS) rules and regulations related to maintaining international student status.

LAS POSITAS COLLEGE STUDENT GOVERNMENT (LPCSG)

<http://www.laspositascollege.edu/student-gov/>

LPCSG is a non-partisan organization focused on promoting student involvement on-campus and advocating for student interests. LPCSG is committed to removing barriers to access, promoting student success, and providing an atmosphere for better learning and personal growth at Las Positas College.

LIBRARY

<http://www.laspositascollege.edu/library/>

Las Positas College Library's mission is to support the college's educational programs, curriculum, and instructional philosophy. The Library has developed a program that provides reference and public services, research skills classes, and access to a collection of print and electronic resources. The Library collaborates with faculty and appropriate college groups to ensure that the Library supports the learning needs and styles of a diverse student population.

MATH LEARNING CENTER

<http://www.laspositascollege.edu/ilc/>

The Math Learning Center provides recommended support to students in math through credit or tuition-free (noncredit) support courses that are aligned with the math course and designed with innovative strategies to provide math and learning support while taking a math class. Free drop-in math help is also offered to students enrolled in Las Positas College mathematics classes through enrollment in the noncredit NMAT 202C course. The Math Learning Center is staffed with LPC Mathematics faculty.

ORIENTATION

<https://bw11.clpccd.cc.ca.us/>

New and returning students to Las Positas College are encouraged to view the online orientation or participate in an in-person orientation. The orientation is designed to help students navigate the steps to enroll, learn of support services, highlight important dates and timelines, and includes general information about the college.

PUENTE PROJECT

<http://www.laspositascollege.edu/puente/>

The Puente Project is national-award winning program that has helped tens of thousands of educationally disadvantaged students enroll in four-year colleges and universities, earn degrees, and return to the community as leaders and mentors to future generations. Puente combines accelerated instruction,

ACADEMIC & STUDENT SUPPORT SERVICES

intensive academic counseling, and mentoring by members of the community.

READING & WRITING CENTER (RAW)

<http://www.laspositascollege.edu/RAW/>

The RAW Center provides reading and writing help from English and English as a Second Language (ESL) instructors to all students. You can get assistance for writing and reading assignments from any class and for transfer and scholarship statements. The RAW Center offers drop-in appointments for reading assignments, as well as writing help for papers and essays. Appointments are with Las Positas College English and ESL instructors.

STUDENT HEALTH & WELLNESS CENTER

<http://www.laspositascollege.edu/healthcenter/>

Our team of medical, behavior health, and public health professionals are here to provide high quality integrated healthcare services that promote physical and psychological well-being, treats minor health issues, helps students navigate the healthcare and insurance systems, and strives to empower students to have a healthy and successful academic experience.

STUDENT LIFE

<http://laspositascollege.edu/students/>

The Student Life Office is committed to providing programs and services that foster student participation and engagement in college governance, student activities, and cultural events through our Las Positas College Student Government (LPCSG) and our clubs/organizations. The College recognizes the important role of students as active and meaningful participants in the shared governance decision-making processes of the institution. The Student Life Office provides students with opportunities to strengthen their knowledge, expand their understanding of governance issues, increase their preparedness, and apply their leadership development skills through co-curricular engagement.

TRANSFER CENTER

<http://www.laspositascollege.edu/transfercenter/>

Las Positas College offers guaranteed transfer admission to over 95 colleges and universities. Six University of California (UC) campuses, nine California State University (CSU) campuses, more than 40 private/independent colleges, and more than 40 out-of-state universities offer guaranteed admission to students who meet specific requirements. By participating in a Transfer Admission Guarantee (TAG), Associate Degree in Transfer (ADT) program, or Transfer Admissions Agreement (TAA), you may be eligible for an early review of your academic records, early admission notification, and specific guidance about major preparation and general education coursework. Meet with a Las Positas College counselor to develop a student educational plan (SEP) to meet your transfer goals.

TUTORIAL CENTER

<http://www.laspositascollege.edu/tutorialcenter/>

The LPC Tutorial Program is dedicated to students' educational success by providing quality learning support relevant to their individual needs. We seek to provide services that will help students become independent learners and function successfully in an academic environment. We strive to create a positive and encouraging atmosphere for all students who use our services.

UMOJA

<http://www.laspositascollege.edu/umoja/>

While all students are invited to enroll in it, the Umoja Learning Community at LPC focuses on the success of underrepresented

students with an intentional and deliberate focus on improving the success rates of African American students. To do this, Umoja students gain a dedicated academic counselor and accessible faculty who are determined to see Black students succeed in the midst of barriers and life challenges. Umoja students take linked classes for two semesters, so as to form bonds, cultivate leadership, build cultural affirmation, and work toward success. The courses that Umoja students take are College Success, Transfer Planning, English Composition, Library Skills, and Literature. All courses center African and African American experiences, voices, writers, speakers, and topics. Lastly, to foster learning and goal achievement, students are invited to attend college tours and culturally-enriching conferences and events.

VETERANS FIRST

<http://www.laspositascollege.edu/veterans/>

Veterans First Program provides support services to those who have served in the armed forces, those currently serving in the armed forces, reservists/guard, and dependents and spouses of Veterans. We are primarily responsible for the administration of Veterans educational benefits. In addition, we provide other resources and referrals, such as career planning, financial aid, transition counseling services, and other needed services for our returning Veterans. We encourage Veterans attending Las Positas College to contact our office in-person, by telephone, or by e-mail with any questions pertaining to your education, or any of your Veterans Affairs educational benefits. We can and will assist you with the application and certification of your Veterans Affairs benefits at Las Positas College. Our goal is to provide Veterans with services and resources that will help you achieve your educational goals.

WORK-BASED LEARNING PROGRAM

<http://www.laspositascollege.edu/careercenter/work-based.php>

Las Positas College provides clear academic pathways to improve the workforce and economy of our community. To support this mission, the college offers a Work-Based Learning Program - a collaboration with local business and industry to develop career and work experience opportunities, internships and mentoring programs, and community work and study placements directly related to a vocational field of training. This partnership benefits both employers and students, ensuring a talent pipeline of skilled workers from our college to the workplace and reinforcing and expanding students' classroom learning.

As part of the Work-Based Learning Program, Las Positas College offers courses and an internship and job board. Students can choose from two courses that link the classroom with the workplace and focus on 21st century work skills: General Work Experience, for students with any type of employment or volunteer work, and Occupational Work Experience/Internship, for students who work in positions related to their major field of study.

The Las Positas College Internship and Job Board connects our students and alumni with area employers. Employers can post positions and search résumés. Students and alumni can search positions, post their résumés, and sign up for notifications about our college job and internship fairs, newly posted positions, and career tips. Find the link at our website.

COLLEGE POLICIES & PROCEDURES

ACADEMIC FREEDOM

Academic freedom exists and is nurtured in our community for the common good of all citizens. Students, faculty, administrators and society itself derive benefits from the practice of academic freedom with its open search for truth and its free exposition. Academic freedom is fundamental for the protection of the instructor's right in teaching and the student's right in learning in the classroom and on the campus. Academic freedom carries with it responsibilities correlative with rights, such responsibilities being implicit in all freedoms and assured by all members of the college to insure the rights of others.

ACADEMIC HONESTY

Las Positas College is dedicated to maintain an optimal learning environment and insists upon academic honesty and adherence to standards of student conduct. To uphold the academic integrity, all members of the academic community shall assume responsibility for providing an educational environment of the highest standard characterized by academic honesty. It is the responsibility of all members of the academic community to encourage learning, promote honesty, and act with fairness. Student conduct at Las Positas College must conform to federal and state laws and college district policies and procedures.

CLASS SCHEDULE AND CATALOG

The class schedule and college catalog are publications of Las Positas College. They provide information regarding course and program offerings including dates, times, prerequisites, and course descriptions. You may obtain the publications at the College Bookstore, download them from the College website, or by accessing CLASS-Web or The ZONE online.

The class schedule is available in alternate format. Contact the Disability Resource Center at (925) 424-1510 for assistance.

COMMUNICABLE DISEASE

The Student Health & Wellness Center is the entity at Las Positas College that is responsible for working with Alameda County Public Health Department in communicable disease control.

CONSUMER INFORMATION

The federal Higher Education Act, the federal Equity in Athletics Disclosure Act, and regulatory guidance provided in the Code of Federal Regulations require notification of prescribed information to certain target audiences including prospective students, currently enrolled students, current employees, parents, coaches and counselors of prospective student athletes, and the general public. Disclosures are to include crime/security statistics, student completion/graduation rates, privacy/security rights, financial aid program information, and gender-specific information on athletic participation and financial support. Detailed information and corresponding reports are found online on the college website.

COPYRIGHT INFORMATION

It is policy of the college district that employees and students must adhere to the United States Copyright Law (Title 17, United States Code) when using materials for instructional, institutional, or any other purpose.

DISCLAIMERS, LAS POSITAS COLLEGE

WEBSITE DISCLAIMER

The Chabot-Las Positas Community College District (CLPCCD) attempts to maintain the highest accuracy of content on its Web sites. Any errors or omissions should be reported for investigation.

CLPCCD makes no claims, promises, or guarantees about the absolute accuracy, completeness, or adequacy of the contents of this Web site and expressly disclaims liability for errors and omissions in the contents of this Web site. No warranty of any kind, implied, expressed, or statutory, including but not limited to the warranties of non-infringement of third-party rights, title, merchantability, fitness for a particular purpose, and freedom from computer virus, is given with respect to the contents of this Web site or its hyperlinks to other Internet resources. Reference in this Web site to any specific commercial products, processes, or services, or the use of any trade, firm, or corporation name is for the information and convenience of the public, and does not constitute endorsement, recommendation, or favoring by the CLPCCD or its employees or agents.

This Web site has links to sites that may be useful to the public and that may provide other services or information. When the user links to another Web site, which is not an authorized CLPCCD Web site, the user is no longer on a CLPCCD Web site. The CLPCCD disclaims any responsibility or liability for the services or information provided on non-CLPCCD Web sites.

PHOTOGRAPHY DISCLAIMER

Chabot and Las Positas Colleges, being non-profit California Community Colleges, reserve the right to use photography and video images of students and visitors, age 18 and older, taken on our property and at college-sponsored events for marketing and promotional purposes. Objection to the use of an individual's photograph may be made in writing to the district office of marketing and public relations, addressed to:

Director, Public Relations, Marketing and Government Relations
Chabot-Las Positas Community College District
7600 Dublin Blvd., 3rd Floor
Dublin, CA 94568

DISTANCE EDUCATION

Las Positas College offers quality distance education to its students. Distance education allows students who work, raise families, are disabled, are environmentally conscious, or who otherwise cannot come to campus the ability to pursue their educational goals.

COLLEGE POLICIES & PROCEDURES

EQUAL OPPORTUNITY STATEMENT

Las Positas College is an equal opportunity action institution in its policies, procedures, and practices relating to access, admission, and employment in their programs, services, and activities. In compliance with federal law, Las Positas College does not discriminate on the basis of race, color, national origin, religion, sex, disability, age, citizenship status, and genetic information. In addition, California state law also prohibits discrimination on the basis of race, color, ancestry, national origin, religion, sex (including pregnancy, childbirth, and related medical conditions), disability (physical or mental), age, genetic information, marital status, sexual orientation, gender identify and gender expression, AIDS/HIV, medical condition, political activities or affiliations, military or veteran status, and status as a victim of domestic violence, assault, or stalking. Inquiries regarding equal opportunity non-discrimination policies and procedures that pertain to student matters should be directed to the Las Positas College, Vice President of Student Services by calling (925) 424-1405. All non-student matters (including employment matters) should be directed to the Vice Chancellor of Human Resources by calling (925) 485-5200.

FAMILY EDUCATIONAL RIGHTS AND PRIVACY ACT (FERPA)

According to the U.S. Department of Education, FERPA “is a Federal law that protects the privacy of student education records. The law applies to all schools that receive funds under an applicable program of the U.S. Department of Education.” At Las Positas College, a person officially becomes a student upon receipt of an admission application to the college.

FREE SPEECH

College procedures regarding time, place, and manner shall govern the exercise of free speech and related activities on the campus. The responsibility for maintaining conduct within the bounds of the law and compliance with the policies of the Chabot-Las Positas Community College District Board of Trustees shall be assumed by individuals, organizations, and the sponsoring organization’s officers and student organizations, advisors, and all organizational members. Restrictions on speech content shall extend no further than to restrain speech that is obscene, libelous, or presents a clear and present danger.

HOUSING

Las Positas College does not provide dormitories or other types of college-sponsored housing.

NET PRICE CALCULATOR

The California Community Colleges Chancellor’s Office, in conjunction with the federal government, has developed a Net Price Calculator to help students estimate the cost to attend Las Positas College based on residency and living arrangements. The estimated cost of attendance includes tuition, required fees, textbooks, supplies, and other related expenses. This

information is found on the college website at <https://misweb.cccco.edu/npc/481/npcalc.htm>.

NOTICE OF NONDISCRIMINATION

The Chabot-Las Positas Community College District is committed to equal opportunity in educational programs, employment, and all access to institutional programs and activities. The District, and each individual who represents the District, shall provide access to its services, classes, and programs without regard to national origin, religion, age, gender, gender identity, gender expression, race or ethnicity, color, medical condition, genetic information, ancestry, sexual orientation, marital status, physical or mental disability, pregnancy, or because he/she is perceived to have one or more of the foregoing characteristics, or based on association with a person or group with one or more of these actual or perceived characteristics. Inquiries and complaints may also be made to the U.S. Department of Education, Office for Civil Rights, 50 United Nations Plaza, San Francisco, CA 94102, telephone (415) 486-5555, fax (415) 486-5570 or e-mail OCR.SanFrancisco@ed.gov.

DECLARACIÓN DE NO DISCRIMINACIÓN

(SPANISH STATEMENT)

Las Positas College, de acuerdo con las leyes civiles, declara que Las Positas College no discrimina hacia ninguna persona a base de su raza, color, nacionalidad, ascendencia, religión, creencia, sexo, edad o incapacidad, en sus programas y políticas de empleo y educación. El conocimiento limitado del idioma no limita acceso a programas y servicios ocupacionales. Cualquier pregunta sobre la aplicación de esta declaración puede dirigirse al U.S. Department of Education, Office for Civil Rights, 50 United Nations Plaza, San Francisco, CA 94102, teléfono (415) 486-5555, fax (415) 486-5570 o correo electrónico OCR.SanFrancisco@ed.gov.

OMBUDS

The Ombuds (also known as an “ombudsman” or “ombudsperson”) at Las Positas College will be an identified employee(s) who is committed to serve as a neutral and an impartial conflict resolution practitioner. The Ombuds will have no formal decision-making authority or disciplinary responsibilities. The Ombuds will serve as the initial point of contact for students who encounter challenges or difficulties while navigating the college environment and will be responsible for identifying the proper resource at the college. Furthermore, the Ombuds will facilitate the first connection or contact with the appropriate college entity or employee. The goal of the Ombuds is to ensure the rights and interests of all parties to the dispute are considered with the goal of achieving a fair outcome in accordance with applicable policies, procedures, laws, and regulations. The inability to achieve a fair outcome may result in the student being referred to the grievance or complaint process. For more information, please contact the Office of the Vice President of Student Services.

COLLEGE POLICIES & PROCEDURES

PROGRAMS ELIGIBLE FOR FINANCIAL AID

In order to be eligible for federal student aid, a student must be enrolled in an educational program that leads to an associate degree, transfers into a baccalaureate program, or prepares a student for gainful employment in an approved and recognized occupation. Students must either: (1) declare an Associate's Degree Program, or Associate's Degree with Transfer Program as their educational goal; or (2) be enrolled in a non-degree Certificate of Achievement Program of at least sixteen units and one year in length that is included and approved on the college's Program Participation Agreement with the U.S. Department of Education.

STUDENT CONDUCT AND DUE PROCESS

In joining the academic community, the student enjoys the right of freedom to learn and shares the responsibility in exercising that freedom with other members of the academic community. It is the policy of the Chabot-Las Positas Community College District not to impose student discipline for acts occurring away from the college and not connected with college activities unless the student's conduct affects the function of the college. When a student is charged with violating the student conduct code (e.g., plagiarism, forgery, disruption, theft, etc.), the charge shall be processed in accordance with the policy and procedures in order to protect the student's rights and the college's interests. A student may be expelled, suspended, placed on probation, or given a lesser sanction, as deemed appropriate by the Dean of Student Services or designee. The Student Conduct Code is posted online on the college website and included in the college catalog.

STUDENT GRIEVANCE PROCEDURES

Student Grievance Procedures have been developed to provide students with a prompt and equitable means of seeking an appropriate remedy for any alleged violation of rights and to ensure that each student is fully accorded due process. The Student Grievance Procedures and the Student Conduct and Due Process Procedures outline the process for seeking resolution, and develop the procedure for filing and processing complaints, including timelines and decision-making authority. Student Grievance information is found online on the college website and included in the college catalog.

STUDENT RIGHT-TO-KNOW (INSTITUTIONAL DATA)

Fall 2014 Cohort: Completion Rate 39.11% Transfer Rate 15.35%

In compliance with the Student-Right-to-Know and Campus Security Act of 1990 (Public Law 101-542), it is the policy of our college district to make available its completion and transfer rates to all current and prospective students. Beginning in Fall 2014, a cohort of all certificate-, degree-, and transfer-seeking first-time, full-time students were tracked over a three-year period. Their completion and transfer rates are listed above. These rates do not represent the success rates of the entire student population at the College nor do they account for student outcomes occurring after this three-year tracking period.

Based upon the cohort defined above, a Completer is a student who attained a certificate or degree or became 'transfer prepared' during a three-year period, from Fall 2014 to Spring 2017. Students who have completed 60 transferable units with a GPA of 2.0 or better are considered 'transfer-prepared'. Students who transferred to another post-secondary institution, prior to attaining a degree, certificate, or becoming 'transfer-prepared' during a five-semester period, from Spring 2015 to Spring 2017, are transfer students.

VOTER REGISTRATION INFORMATION

The Chabot-Las Positas Community College District shall provide a good faith effort to distribute a mail voter registration form to each student enrolled in a degree or certificate program and physically in attendance at the institution. Forms are widely available to students at Las Positas College. Additional information is found on the college website.

CAMPUS SAFETY & SECURITY

ACCESS TO BUILDINGS

During business hours, the College and most campus buildings are open from 7:00 am to 11:00 pm. During non-business hours, access to all College facilities is by key or card key, if issued, or by admittance via the assistance of the Office of Campus Safety and Security. In the case of periods of extended closing, the College will admit only those with prior approval to all facilities. All students and employees are issued identification cards, which they may be asked to produce if there is any question about their authorization to be on College property.

CAMPUS SAFETY

The Chabot-Las Positas Community College District is committed to a safe and secure work and learning environment. The Office of Campus Safety & Security prepares and annually updates a report of all occurrences reported to the Office of Campus Safety & Security of and arrests for crimes that are committed on-campus and that involve violence, hate violence, theft or destruction of property, sexual misconduct including sexual harassment, illegal drugs, alcohol intoxication, and of all occurrences of noncriminal acts of hate violence reported to campus authorities. Additional information and corresponding reports are found on the College website.

COLLEGE PROPERTY

No College property may be removed from the campus without expressed permission from an administrator. Unauthorized removal of College property from the campus is a violation of the law and may be prosecuted by the College.

CRIME PREVENTION

Crime prevention material is distributed by the Office Campus Safety and Security to the campus community. The Office of Campus Safety and Security makes inspections of facilities to ensure physical security design, presents programs to reduce risk from criminal acts, review plans and new construction additions to facilities to insure against design defects that could contribute to criminal acts, make preventative patrols of grounds, make necessary arrests and detentions, and interact with other law enforcement and investigative agencies to accomplish this task.

DRUG FREE ENVIRONMENT AND PREVENTION PROGRAM

Las Positas College strives to maintain a drug-free and alcohol-free environment. College district policy states it prohibits, "the sale or knowing possession of dangerous drugs, restricted dangerous drugs, alcoholic beverages or narcotics as those terms are used in California statutes except when lawfully prescribed or permitted." Federal law also prohibits the use, sale, or possession of marijuana. Students may be arrested, suspended, expelled, placed on probation or given a lesser sanction for good cause and in accordance with College procedures consistent with due process for violations of the drug and alcohol policy. Students and employees will be informed of the health risks associated with the use of illicit drugs and the abuse of alcohol, and will be advised of the availability of drug and alcohol counseling, treatment, and rehabilitation.

EMERGENCY CALL BOXES

Emergency call boxes are also located in several parking lots,

on the campus perimeter road, and near the Student Services & Administration Building. In the event of an emergency, push the button on the emergency call box and the on-duty campus security officer is notified of your location. The emergency call box has a feature which allows the caller to speak directly to the campus safety officer. Outside the entrance to the Office of Campus Safety and Security there is an emergency auto-dialer. In the case of an emergency and the office is locked, please push the button on the auto-dialer. The auto-dialer will contact the on-duty campus safety officer.

EMERGENCY NOTIFICATION

The Las Positas College Office of Campus Safety and Security is committed to ensuring that our campus community receives timely, accurate, and useful information in the event of a significant emergency or dangerous situation on campus or in the local area that poses an immediate threat to the health and safety of campus community members. Las Positas College uses the emergency notification system "Everbridge" which is an emergency notification service that proactively contacts students, staff, and faculty at their District assigned e-mail accounts. Everbridge can be used to send emergency messages within minutes of the occurrence of an incident. Messages are sent by multiple methods to contact information listed in the campus directory as well as confidential contact information registered by users. The system can send simultaneous messages to the college community by e-mail message and SMS text. Campus community members can contact the Office of Campus Safety and Security to update or change their contact information and are encouraged to list "SMS Text" as their primary contact method.

EMERGENCY PROCEDURES

Las Positas College Office of Campus Safety and Security personnel are available twenty-four (24) hours a day, seven (7) days per week. Persons are encouraged to report any criminal activity or any other emergency by calling the Office of Campus Safety and Security by calling (925) 424-1699 or visiting the Office of Campus Safety and Security located in Building 1700. If the Office of Campus Safety and Security is closed, the on-duty campus safety officer can be contacted by telephone in the following ways:

- On-campus telephone, dial extension 1690 (non-emergency)
- On-campus telephone, dial extension 1699 (emergency)
- Off-campus telephone, dial (925) 424-1000 until 6:30 p.m.

LOST AND FOUND

The Office of Campus Safety & Security takes great pride in returning lost and found property to their rightful owners. All property found on-campus should be brought to the Office of Campus Safety and Security located in Building 1700 to be recorded. All found property is held for and disposed of in the manner prescribed by law.

PARKING

Parking on-campus is a privilege extended by the Chabot-Las Positas Community College District Board of Trustees to the faculty, staff, students, and guests. To ensure safety and the efficient use of available parking spaces, parking rules and

CAMPUS SAFETY & SECURITY

regulations adopted by the Board of Trustees are enforced all year. Enforcement of parking rules and regulations shall begin the third week of instruction of each semester and tickets will be issued for violators. Drivers using College parking lots shall comply with the rules and regulations adopted by the Board of Trustees pursuant to California Vehicle Code, Section 21113. Failure to comply with the parking rules and regulations may result in disciplinary action, the issuance of a parking citation, loss of parking privileges, and/or cause the vehicle to be towed at the owner's expense. Parking at Las Positas College is by permit only.

PARKING PERMITS

Parking at Las Positas College is by permit only. Full-term parking permits may be purchased online via CLASS-Web. Daily parking permits may be purchased from parking permit dispensers located in the parking lots. All students and guests must purchase a parking permit for each day. Take notice that certain parking spaces are reserved for College employees and College vehicles. These parking spaces are clearly marked in front of the parking stall. Vehicles parked in a staff or other reserved space without the proper permit will be cited. All vehicles shall be parked clearly within designated parking stalls between the white lines and head-in only. Do not back in or drive through.

PETS ON CAMPUS

No animals and/or pets of any kind or description are allowed within the boundaries of the college. This restriction also applies to animals and/or pets confined to any vehicle parked within the college boundaries. This policy does not apply to the use of a guide dog, signal dog, or service dog specially trained for assisting a person with a disability.

SAFETY ESCORT SERVICES

The Office of Campus Safety and Security offers escorts to the campus community to and from the parking lots. To arrange to have an escort accompany you from your classroom or office to your vehicle by dialing (925) 424-1690 or from any College telephone by dialing extension 1690, by dialing *16 from any campus pay telephone, or by activating a nearby emergency callbox.

SEX OFFENDER REGISTRY

California law requires sex offenders who are employed, volunteer, are a resident of, or enrolled as a student at an institution of higher education, to register with the Livermore Police Department located at 1110 South Livermore Avenue, Livermore, CA 94550. To search the database of registered sex offenders in California by name or geography, check the Megan's Law website at <https://www.meganslaw.ca.gov/> or information concerning registered sex offenders can be obtained from the Livermore Police Department.

SMOKING ON CAMPUS

Smoking is allowed only within designated smoking areas and is prohibited within 20 feet of a main exit, entrance, or operable window of any campus or District building. Smoking is prohibited inside any indoor area of any campus or District building and inside any District-owned or leased vehicles. Smoking is prohibited in any enclosed place of employment on-campus, including lobbies, lounges, waiting areas, stairwells,

and restrooms that are a structural part of any building that is a place of employment. This also applies to electronic cigarettes or other imitation smoking devices.

STATEMENT FOR NON-SWORN OFFICERS

The Chabot-Las Positas Community College District employs security officers with training specific to campus security.

STATEMENT OF ENFORCEMENT AUTHORITY

The campus safety officer meets the legal definition of a security officer because of appointment pursuant to the California Education Code, Section 70902. The campus safety officer is not a peace officer, but Sections 626 and 627 of the California Penal Code provide special authority for school security officers to make an arrest if the perpetrator fails to leave the College grounds after being directed to do so. In addition to this authority, campus safety officers can arrest for any misdemeanor or felony committed within their presence, but must use section 837 of the California Penal Code – arrest by a private person – to accomplish the arrest. Campus safety officers derive additional authority from Section 21113(a) of the California Vehicle Code. This section covers parking on school property. Officers can issue citations for violations of District Parking Regulations using this section.

TIMELY WARNING

In an effort to provide timely notice to the campus community in the event of a Clery Act crime that may pose a serious or on-going threat to members of the community, Las Positas College Office of Campus Safety and Security will issue out a "Timely Warning." The Office of Campus Safety and Security will generally issue these warnings for the following crimes: criminal homicide; sexual assaults; robbery; aggravated assault; arson; burglary; and hate crimes. The Office of Campus Safety and Security will post these warnings through a variety of ways including, but not limited to, e-mail messages, posters or bulletins, and class discussions. The purpose of these warnings is to notify the campus community of the incident and to provide information that may enable community members to protect themselves from similar incidents. The Office of Campus Safety and Security will issue these warnings whenever the following criteria are met:

1. A crime is committed;
2. The perpetrator has not been apprehended; and
3. There is a substantial and on-going risk to the physical safety of other members of the campus community because of this crime.

Such crimes include, but are not limited to: Clery Act crimes that are reported to any campus security authority or the local police; or when the college determines that the incident represents an on-going threat to the campus community. Additionally, the Office of Campus Safety and Security may, in some circumstances, issue warnings when there is a pattern of crimes against persons or property. The Campus Safety Supervisor or designee will generally make the determination, in consultation with the President, if a warning is required. However, in emergency situations, any Campus Safety Officer may authorize a Clery Timely Warning. For incidents involving

CAMPUS SAFETY & SECURITY

off-campus crimes, the college may issue a Crime Advisory if the crime occurred in a location used and frequented by the college population. Clery Timely Warnings are sent out to the campus community via the Everbridge system. If you have an official Las Positas College e-mail address, you are automatically enrolled in the crime alert notification system. These messages are a very effective way to share important information with the campus community about safety.

TITLE IX

Title IX of the Educational Amendments of 1972 is an all-encompassing federal law that prohibits discrimination based on the gender of students and employees of educational institutions which receive federal financial assistance. Under Title IX, discrimination on the basis of sex can include sexual harassment, rape, and sexual assault. Colleges and universities that receive federal financial assistance may be held legally responsible when it knows about and ignores sexual harassment or assault in its programs or activities. Colleges and universities may be held responsible in court whether the harassment is committed by a College employee or student. Title IX related concerns and complaints of possible violations of Title IX should be reported to the Vice President of Student Services or designee.

WEAPONS POLICY

Firearms, knives, explosives or other dangerous chemicals or objects, including, but not limited to, any facsimile firearm, knife or explosive, are prohibited on College property and all College-sponsored functions at all times. All weapons are prohibited at

Las Positas College. Except for sworn law enforcement officials, it is a felony to bring or possess any firearm on any California school campus per California Penal Code, Section 626.9. It is also a felony to possess any air gun, including pellet and BB guns that utilizes air, CO₂, or spring pressure to propel a metallic projectile; knives with a blade length of over 2.5 inches, dirks, daggers, and ice picks are also illegal per California Penal Code, Section 626.10. Any person may be arrested, expelled, suspended, placed on probation or given a lesser sanction for good cause and in accordance with College procedures consistent with due process for violations of the weapons policy.

CRIME STATISTICS / CLERY ACT DISCLOSURE / ANNUAL SECURITY REPORT (ASR)

The Office of Campus Safety and Security prepares a report to comply with the Jeanne Clery Disclosure of Campus Security Policy and Crime Statistics Act. Crime statistics may be found online at www.laspositascollege.edu/safety/statistics.php. The full text of this report may be found online at www.laspositascollege.edu/safety/documents/clery.pdf. The report is prepared in cooperation with the local law enforcement agencies. Campus crime, arrest, and referral statistics include those reported to the Office of Campus Safety and Security, designated campus officials including, but not limited to, administrators, faculty, classified professionals, advisors to students and student organizations, athletic coaches, and local law enforcement agencies.

**Clery Act Statistics
Las Positas Community College
2016 – 2018**

20 U.S.C. 1092 H (Crimes)	2016			2017			2018		
	On Campus Property	Non Campus Property	Public Property	On Campus Property	Non Campus Property	Public Property	On Campus Property	Non Campus Property	Public Property
Criminal Offenses									
Murder/Non-negligent Manslaughter	0	0	0	0	0	0	0	0	0
Negligent Manslaughter	0	0	0	0	0	0	0	0	0
Rape	0	0	0	1	0	0	0	0	0
Fondling	0	0	0	5	0	0	1	0	0
Incest	0	0	0	0	0	0	0	0	0
Statutory Rape	0	0	0	0	0	0	0	0	0
Robbery	0	0	0	0	0	0	1	0	0
Aggravated Assault	0	0	0	1	0	0	0	0	0
Burglary	1	0	0	0	0	0	2	0	0
Motor Vehicle Theft	2	0	0	0	0	0	0	0	0
Arson	0	0	0	0	0	0	0	0	0
Domestic Violence	0	0	0	0	0	0	0	0	0
Dating Violence	2	1	0	0	0	0	0	0	0
Stalking	0	0	0	0	0	0	0	0	0
Bias Crimes									
Disability	0	0	0	0	0	0	0	0	0
Ethnicity	0	0	0	0	0	0	0	0	0
Gender	0	0	0	0	0	0	0	0	0
Race	0	0	0	0	0	0	0	0	0
Religion	0	0	0	0	0	0	0	0	0
Sexual Orientation	0	0	0	0	0	0	0	0	0
Arrests									
Weapons Violations	0	0	0	0	0	0	1	0	0
Drug Law Violations	0	1	0	0	0	0	0	0	0
Liquor Law Violations	0	0	0	1	0	0	0	0	0
Disciplinary Referrals									
Weapons Violations	0	0	0	0	0	0	0	0	0
Drug Law Violations	1	0	0	1	0	0	0	0	0
Liquor Law Violations	2	0	0	1	0	0	0	0	0

PARKING PERMITS AVAILABLE ONLINE



1. Before purchasing a permit you will need the following information:

- ✓ Student ID Number (W or Social Security)
- ✓ Vehicle license plate number
- ✓ Make, model, color of vehicle
- ✓ Access to a printer (to print a temporary permit)

2. To purchase a permit:

- Log into CLASS-Web, go to "Student Services"
- Click on "Order or Activate a Parking Permit"
- Continue by following the on-screen instructions
- Access to a printer (to print a temporary permit)

3. After purchasing a permit:

- Print your temporary permit by clicking "Order a Parking Permit", then "Print a Temporary Permit"
- Your parking permit will be mailed to the address you provided within 10 days of payment.

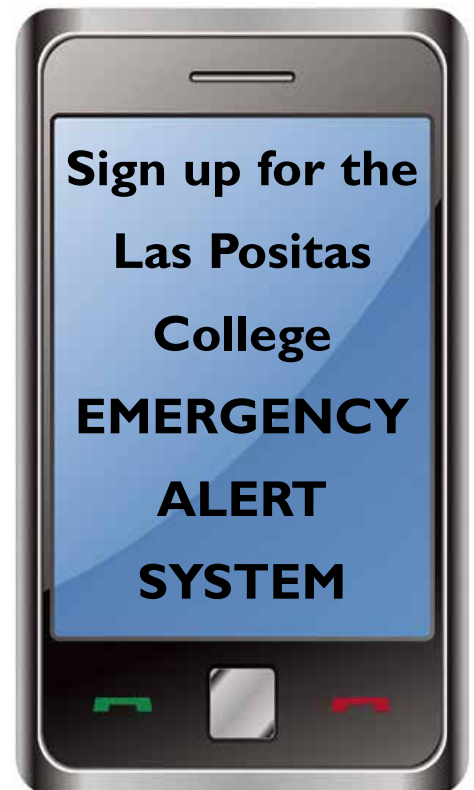
You must have a parking permit properly displayed on your vehicle to park on campus. If you do not have a valid semester permit, daily permits are available for \$3.00 - look for the machines on the light poles in the parking lots.

Don't Be The Last To Know!

Everbridge is the emergency alert system used to deliver timely and necessary emergency alerts.

To receive these alerts, students, faculty and staff can sign up as follows:

- Sign into CLASS-Web using your W ID Number and PIN.
- Click on the Personal Information tab.
- Click on 'Update Emergency Text-Authorized Cell Phone Number'.
- Enter your cell phone number to be used and click Submit.
- To opt out - after first message received, reply STOP.



LAS POSITAS COLLEGE BOOKSTORE

HAS EVERYTHING YOU NEED TO HAVE THE BEST YEAR EVER!

Affordable Text Options

- Rental
- Used
- Price Match Guarantee

Las Positas Merch

- Clothing
- Gifts

Convenience Items

- Testing Materials
- Campus Print Cards
- Snacks
- Headphones

Las Positas College Bookstore
Building 1300
(925) 424-1812 | LPCStore.com

Over 10% of our sales go back to Las Positas College to support student success

LAS POSITAS COLLEGE Transit Pass

**Your Las Positas College
ID is your bus pass!**

- Ride all Wheels and Rapid routes
- Connects to Dublin/Pleasanton BART, the Livermore Labs, and the Livermore Transit Center
- Rapid Route 30R comes to campus every 15 minutes
- Free Wi-Fi, upgraded seating, and phone charging outlets

Livermore Amador Valley
TRANSIT AUTHORITY



*Think of all
your extra time...*



CAMPUS DIRECTORY

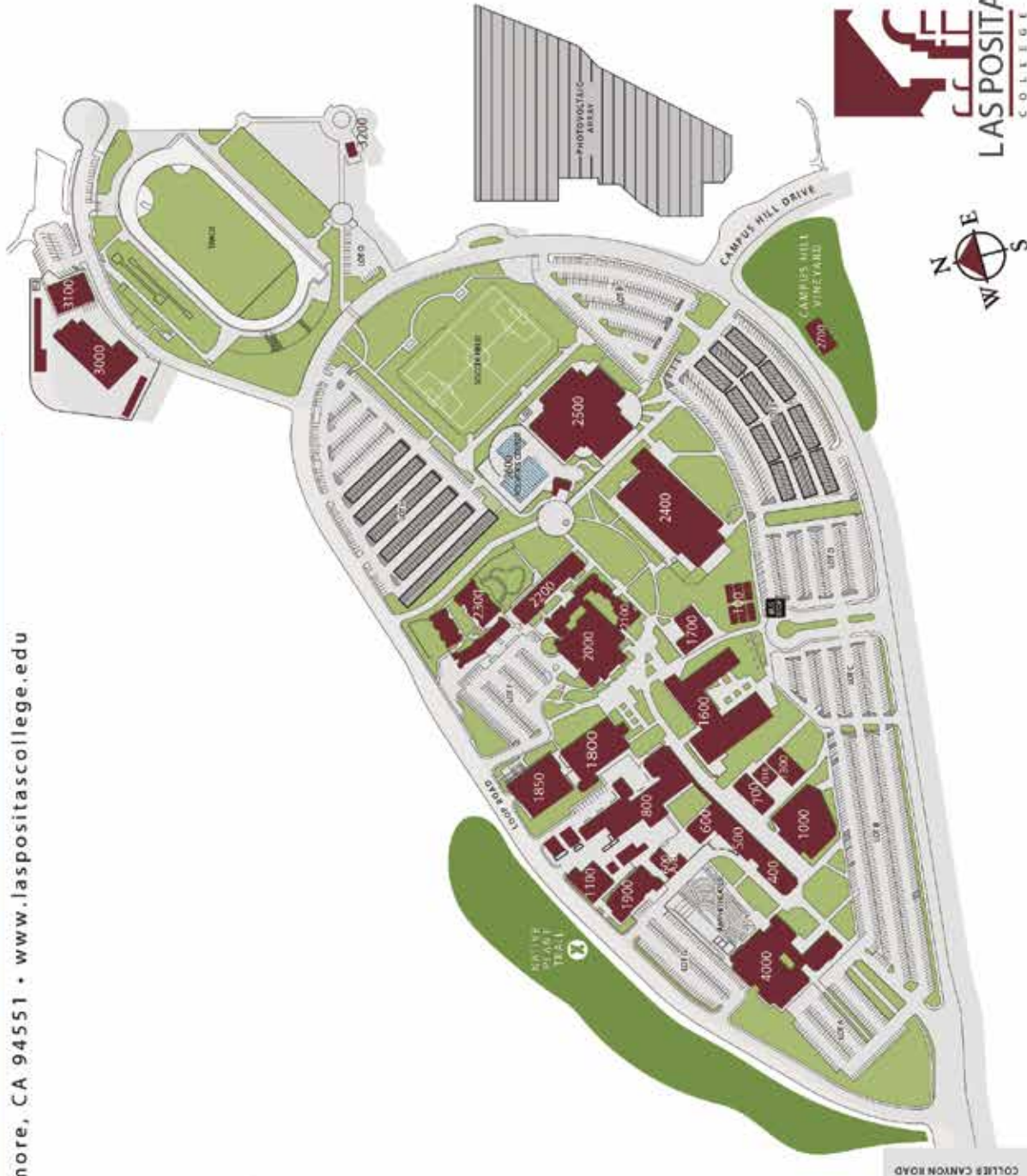
Admission & Records	424-1500	Information Desk	424-1000
<i>Building 1600, Room 1670</i>		<i>Building 1600, Room 1630</i>	
Assessment Center (Testing)	424-1475	Integrated Learning Center (ILC)	424-1310
<i>Building 1600, Room 1642</i>		<i>Building 600, Room 601</i>	
Athletics	424-1274	International Student Program	424-1540
<i>Building 2500, Room PE116</i>		<i>Building 1600, Room 1658</i>	
Bookstore	424-1812	Library	424-1151
<i>Building 1300, Room 1300</i>		<i>Building 2000</i>	
Cafeteria	424-1849	Math Learning Center	424-1310
<i>Building 1600, Room 1620</i>		<i>Building 600, Room 601</i>	
CalWORKs	424-1459	Ombuds	424-1406
<i>Building 1600, Room 1668</i>		<i>Building 1600, Room 1669</i>	
Campus Safety & Security	424-1690	Outreach	424-1407
<i>Building 1700, Room 1725</i>		<i>Building 1600, Room 1643</i>	
CARE Program	424-1598	Puente	424-1414
<i>Building 1600, Room 1668A</i>		<i>Building 1000, Room 1018</i>	
Career Center	424-1487	Reading and Writing Center (RAW)	424-1450
<i>Building 1600, Room 1604</i>		<i>Building 2400, Room 2401, Office D</i>	
Cashier's Office	424-1500	Student Government	424-1490
<i>Building 1600, Room 1670</i>		<i>Building 1600, Room 1643</i>	
Child Development Center	424-1560	Student Health & Wellness Center	424-1830
<i>Building 2300</i>		<i>Building 1700, Room 1701</i>	
Community Education	424-1467	Student Life	424-1496
<i>Building 1600, Room 1663</i>		<i>Building 1600, Room 1643</i>	
Computer Center	424-1144	Transfer Center	424-1423
<i>Building 800, Room 803</i>		<i>Building 1600, Room 1604</i>	
Concurrent Enrollment	424-1545	Tutorial Center	424-1450
<i>Building 1600, Room 1670</i>		<i>Building 2400, Room 2401</i>	
Counseling	424-1400	UMOJA	424-1437
<i>Building 1600, Room 1616</i>		<i>Building 1000, Room 1018</i>	
Disabled Student Programs & Services (DSPS)	424-1510	Veterans First Program	424-1571
<i>Building 1600, Room 1615</i>		<i>Building 1300, Room 1310</i>	
Engineering Technology	424-1254		
<i>Building 1800, Room 1825</i>			
Extended Opportunity Programs & Services (EOPS)	424-1598		
<i>Building 1600, Room 1668</i>			
Financial Aid & Scholarships	424-1580		
<i>Building 1600, Room 1650</i>			
Gateway to Success (G2S)	424-1411		
<i>Building 1000, Room 1018</i>			

OFF-CAMPUS INSTRUCTIONAL SITES

Amador Valley High School 1155 Santa Rita Road Pleasanton, CA 94566	Livermore Adult Education School 1401 Almond Avenue #A Livermore, CA 94550
Dublin High School 8151 Village Parkway Dublin, CA 94568	Tri-Valley Golf Center 1780 Freisman Road Pleasanton, CA 94588
Leo R. Croce Elementary School 5650 Scenic Avenue Livermore, CA 94551	Village High School 4645 Bernal Avenue Pleasanton, CA 94566

LAS POSITAS COLLEGE CAMPUS MAP

3000 Campus Hill Drive, Livermore, CA 94551 • www.laspositascollege.edu



KEY TO BUILDINGS

- 100 Classrooms
- 400 English Classrooms & Lab
- 500 Fine Arts
- 600 Classrooms, ILC (Integrated Learning Center), Open Math Lab
- 600A/B Fire Service Technology Training
- 700 Visual Communications, Photography Studio, Computer Lab
- 800 Lecture Hall, Computer Labs, Auto & Welding Labs, Strong Reference Center, Horticulture Viticulture, Garden Classrooms, Greenhouse
- 1000 Classroom Building
- 1100 General Utility Plant
- 1300 Bookstore
- 1310 Veterans Resource Center
- 1600 Student Services & Administration Building
 - 1699 Academic Services, Vice President's Office
 - 1699A Administrative Services, Vice President's Office
 - 1670 Admissions & Records
 - 1642 Assessment Center
 - 1620 Cafeteria
 - 1604 Career Transfer Center
 - 1663 Community Education
 - 1616 Counseling Center
 - 1615 DSPS High Tech Center
 - 1668 EOPS, CARE, CAWORKS
 - 1660 Financial Aid
 - 1658 International Student Program
 - 1672 Online Service Center
 - 1680 President's Office
 - 1643 Student Government
 - 1669 Student Services, Vice President's Office
 - 1643 Welcome Center/Student Life Office
- 1700 Campus Safety, Student Health Center, Copy Center, Mail Room
- 1800 Science Technology Center 1
- 1850 Science Technology Center 2
- 1900 Information Technology Services (ITS)
- 2000 Library (Learning Resource Center)
- 2100 Faculty Offices
- 2200 Classrooms
- 2300 Child Development Center
- 2400 Multi-Disciplinary Education Building
- 2401 Tutorial Center
- 2420 Lecture Hall
- 2500 Physical Education Complex (Gym)
- 2600 Aquatics Center
- 2700 Campus Hill Vineyard
- 3000 Maintenance & Operations Building
- 3100 Maintenance & Operations Building
- 3200 Field House
- 4000 Merce Center for the Arts
 - 4119 Main Theater
 - 4128 Black Box Theater

SPRING 2020 FINAL EXAM SCHEDULE

Spring 2020 final examinations for full-term classes will be held May 16, 2020 – May 22, 2020. Your final exam might not always occur at the same time as your class. Please carefully check the chart below to determine the time and day of your final exam. This final exam schedule applies to full-term classes only.

The first hour and the first day of the week that day classes meet determines placement of the final exam. In determining the examination time for lecture-laboratory classes and lecture-discussion courses, the lecture period determines the time. For stand-alone lab course (with its own CRN Number), a two-hour final examination will be given during final examination week. The first hour and the day of the week that the laboratory class meets will determine the placement of the class in the schedule below. If you have a question about when and where your final exam will take place, please contact your instructor.

Day Classes (Classes beginning before 4:00pm)

Start Time and Days of Regular Class Meeting		Time and Day of Final Examination		
<i>Predominantly Monday/Wednesday</i>				
7:30am, 8:00am	MTWTh, MTWF, MWThF, MTThF, MWF, MT, MW, MTh, MF, WF, M	7:30–9:20am	Wednesday	May 20
8:30am, 9:00am	MTWTh, MTWF, MWThF, MTThF, MWF, MT, MW, MTh, MF, WF, M	7:30–9:20am	Monday	May 18
9:30am, 10am	MTWTh, MTWF, MWThF, MTThF, MWF, MT, MW, MTh, MF, WF, M	9:30–11:20am	Wednesday	May 20
10:30am, 11am	MTWTh, MTWF, MWThF, MTThF, MWF, MT, MW, MTh, MF, WF, M	9:30–11:20am	Monday	May 18
11:30am, 12:00 noon	MTWTh, MTWF, MWThF, MTThF, MWF, MT, MW, MTh, MF, WF, M	11:30am–1:20pm	Wednesday	May 20
12:30pm, 1:00pm	MTWTh, MTWF, MWThF, MTThF, MWF, MT, MW, MTh, MF, WF, M	11:30am–1:20pm	Monday	May 18
1:30pm, 2:00pm	MTWTh, MTWF, MWThF, MTThF, MWF, MT, MW, MTh, MF, WF, M	1:30–3:20pm	Wednesday	May 20
2:30pm, 3:00pm	MTWTh, MTWF, MWThF, MTThF, MWF, MT, MW, MTh, MF, WF, M	1:30–3:20pm	Monday	May 18
3:30pm	MTWTh, MTWF, MWThF, MTThF, MWF, MT, MW, MTh, MF, WF, M	3:30–5:20pm	Wednesday	May 20
<i>Predominantly Tuesday/Thursday</i>				
7:30am, 8:00am	TWTh, TW, TTh, TF, ThF, WTh, T, TWThF, MTTh, TThF	7:30–9:20am	Thursday	May 21
8:30am, 9:00am	TWTh, TW, TTh, TF, ThF, WTh, T, TWThF, MTTh, TThF	7:30–9:20am	Tuesday	May 19
9:30am, 10:00am	TWTh, TW, TTh, TF, ThF, WTh, T, TWThF, MTTh, TThF	9:30–11:20am	Thursday	May 21
10:30am, 11:00am	TWTh, TW, TTh, TF, ThF, WTh, T, TWThF, MTTh, TThF	9:30–11:20am	Tuesday	May 19
11:30am, 12:00 noon	TWTh, TW, TTh, TF, ThF, WTh, T, TWThF, MTTh, TThF	11:30am–1:20pm	Thursday	May 21
12:30pm, 1:00pm	TWTh, TW, TTh, TF, ThF, WTh, T, TWThF, MTTh, TThF	11:30am–1:20pm	Tuesday	May 19
1:30pm, 2:00pm	TWTh, TW, TTh, TF, ThF, WTh, T, TWThF, MTTh, TThF	1:30–3:20pm	Thursday	May 21
2:30pm, 3:00pm	TWTh, TW, TTh, TF, ThF, WTh, T, TWThF, MTTh, TThF	1:30–3:20pm	Tuesday	May 19
3:30pm	TWTh, TW, TTh, TF, ThF, WTh, T, TWThF, MTTh, TThF	3:30–5:20pm	Thursday	May 21

SPRING 2020 FINAL EXAM SCHEDULE

Classes starting before 7:30am, or classes meeting W, Th, or F only before 4:00pm

Start Time and Days of Regular Class Meeting		Time and Day of Final Examination		
5:30am, 6:00am	Daily	Regular class time	Friday	May 22
6:45am, 7:00am, 7:30am, 8:00am, 8:30am, 9:00am	Before 7:30, or W, Th, F only before 4pm	7:30–9:20am	Friday	May 22
9:30am, 10:00am, 10:30am, 11:00am	Before 7:30, or W, Th, F only before 4pm	9:30–11:20am	Friday	May 22
11:30am, 12:00 noon, 12:30pm 1:00pm	Before 7:30, or W, Th, F only before 4pm	11:30am–1:20pm	Friday	May 22
1:30pm, 2:00pm, 2:30pm, 3:00pm	Before 7:30, or W, Th, F only before 4pm	1:30–3:20pm	Friday	May 22
3:30pm	Before 7:30, or W, Th, F only before 4pm	3:30–5:20pm	Friday	May 22

Classes that meet “By Arrangement”

Start Time and Days of Regular Class Meeting		Time and Day of Final Examination		
By Arrangement	All classes that meet “By Arrangement”	3:30–5:20pm	Friday	May 22

Classes meeting on or after 4:00pm

Start Time and Days of Regular Class Meeting		Time and Day of Final Examination		
4:00pm and ending by 7:30pm	MW, or Monday Only	5:30pm–7:20pm	Wednesday	May 20
4:00pm and ending by 7:30pm	TTh, or Tuesday Only	5:30pm–7:20pm	Thursday	May 21
4:00pm and ending by 7:30pm	Wednesday only	5:30pm–7:20pm	Monday	May 18
4:00pm and ending by 7:30pm	Thursday only	5:30pm–7:20pm	Tuesday	May 19
4:00pm and ending by 7:30pm	Friday only	5:30pm–7:20pm	Friday	May 22
6:30pm or after	MW, or Monday only	7:30pm–9:20pm	Wednesday	May 20
6:30pm or after	TTh, or Tuesday only	7:30pm–9:20pm	Thursday	May 21
6:30pm or after	Wednesday only	7:30pm–9:20pm	Monday	May 18
6:30pm or after	Thursday only	7:30pm–9:20pm	Tuesday	May 19
6:30pm or after	Friday only	7:30pm–9:20pm	Friday	May 22

Weekend Classes: All Saturday classes have their finals in their regular room at the regular class time scheduled on Saturday, May 16.

Fast Track and Late Start Classes: Final exams held during the last 2 hours of the last class meeting.

Online Classes: Consult your instructor for final exam information.

NOTE: This information is subject to change. Please find the most updated information online.



JOIN US!

LAS POSITAS COLLEGE **FASTPASS** ENROLLMENT EVENT!

LET US HELP YOU GET YOUR APPLICATION AND
REGISTRATION **COMPLETED!**

Date: Monday, November 18 - Thursday, November 21, 2019

Time: 3:00pm - 7:00pm

Location: Student Services & Administration, Building 1600

.....
*To prepare students for the Financial Aid Application, Las Positas College has created an interactive checklist to provide you with the documents you will need to apply for Financial Aid during the FastPass Enrollment Event, please click on the link below.

www.laspositascollege.edu/prospective/fastpass.php

**ATTENDEES WILL HAVE THE
OPPORTUNITY TO
COMPLETE THE FOLLOWING:**

- Admission Application
- Financial Aid Application*
 - Online Orientation
- Complete Assessment
- Student Educational Plan
- Obtain Priority Registration

Take advantage of the opportunity. Apply and register to become a student all in one place!

For questions and more information contact:

Miguel Alvarez, Outreach Specialist | malvarez@laspositascollege.edu | 925.424.1407
For accommodations, please call the Disability Resource Center (DRC) at 925.424.1510